

015 713 / HS 7030 PU RE / Stand: 10.2014 / Druck: 10.2014

**EN**

## **Instructions for Fitting, Operating and Maintenance**

High-Speed Door HS 7030 PU

**PL**

## **Instrukcja montażu, eksploatacji i konserwacji**

Brama szybkobieźna HS 7030 PU

**HU**

## **Szerelési, üzemeltetési és karbantartási utasítás**

HS 7030 PU gyorskapu

**CS**

## **Návod k montáži, provozu a údržbě**

Rychloběžná vrata HS 7030 PU

**RU**

## **Руководство по монтажу, эксплуатации и техническому обслуживанию**

Скоростные ворота HS 7030 PU

**SL**

## **Navodilo za montažo, delovanje in servisiranje**

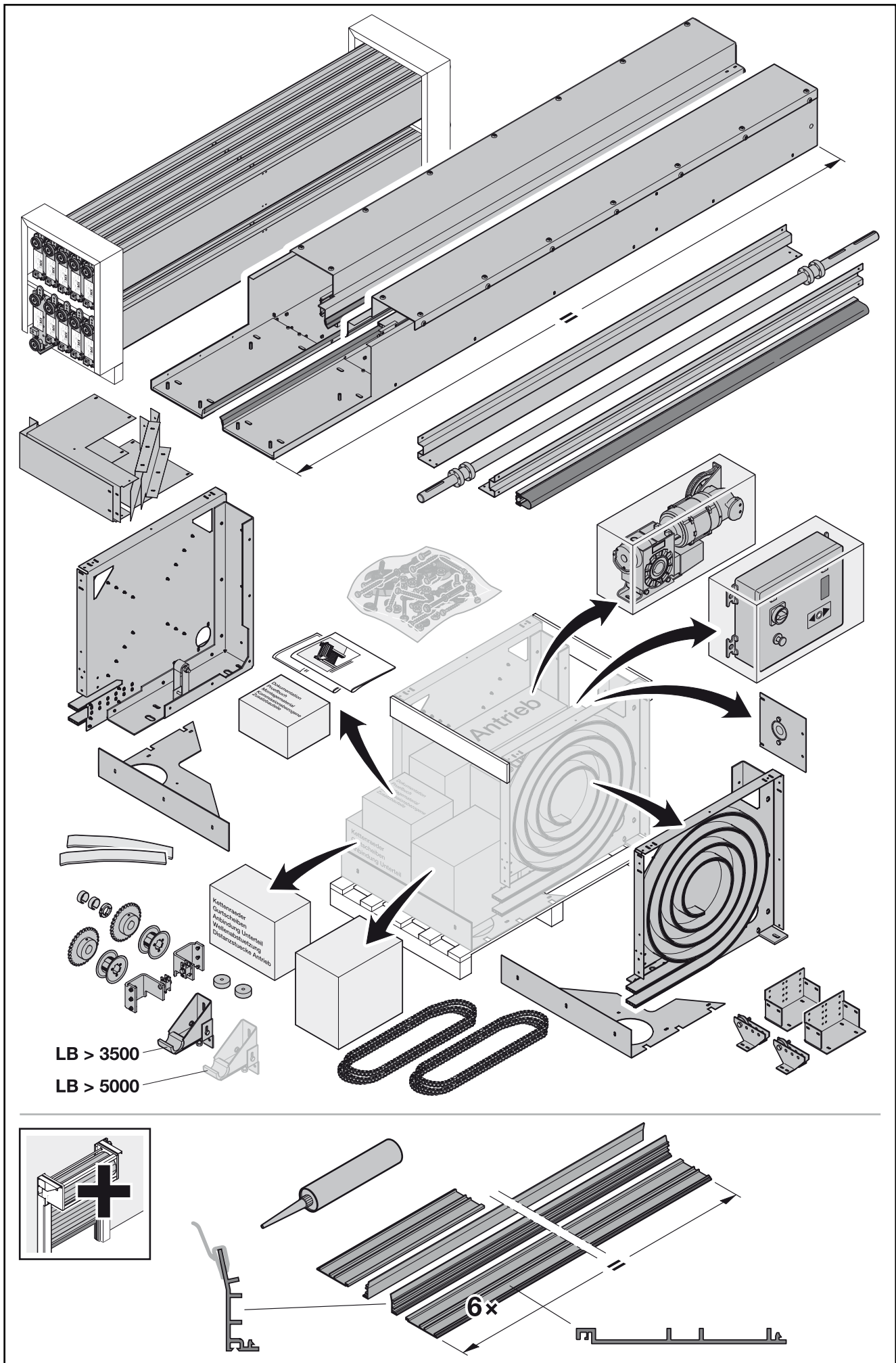
Hitrotekoča vrata HS 7030 PU

**SK**

## **Návod na montáž, prevádzku a údržbu**

Rýchlobežná brána HS 7030 PU





ENGLISH .....	4
POLSKI .....	11
MAGYAR .....	19
ČESKY .....	27
РУССКИЙ .....	34
SLOVENSKO .....	43
SLOVENSKY .....	50



.....	58
-------	----

Contents


1 About These Instructions.....4

1.1 Further applicable documents.....4

1.2 Warnings used.....4

1.3 Symbols Used .....5

1.4 Abbreviations Used .....5

2  Safety Instructions.....5

2.1 Intended use.....5

2.2 Qualification of personnel.....5

2.3 Standards and regulations .....6

2.4 General safety instructions.....6

2.5 Safety instructions for operation .....6

2.6 Safety instructions for maintenance and troubleshooting .....6

3 Fitting.....6

4 Putting into Service.....7

4.1 Setting the End-of-travel Positions .....7

4.2 Test run.....7

5 Operation.....7

5.1 Instructed personnel.....8

5.2 Normal wear .....8

5.3 Emergency-OFF .....8

6 Inspection and Maintenance .....8

6.1 Maintenance intervals.....8

6.2 Wearing parts .....9

7 Control.....9

8 Malfunctions and Troubleshooting .....9

9 Cleaning and Care .....9

10 Extension and Conversion.....9

11 Dismantling and Disposal.....9

12 Spare Parts.....9

 .....58

Dear Customer,  
We are delighted that you have decided to choose a high-quality product from our company.

1 About These Instructions

These instructions are divided into a text section and an illustrated section. The illustrated section can be found after the text section.

These instructions are **original instructions** as outlined in the EC Directive 2006/42/EC. Read through all of the instructions carefully: they contain important information about the product. Pay attention to and follow the instructions provided, particularly the safety instructions and warnings.

Please keep these instructions in a safe place and make sure that they are available to all users at all times.

The manufacturer is not liable for any damage caused as a result of non-compliance with the operating instructions and the information contained therein or due to non-customary use of the industrial door.





Competent operation and proper maintenance influence the performance and availability of your industrial door to a considerable degree. Operating errors and inadequate maintenance lead to avoidable failures. Only competent operation and proper maintenance will guarantee satisfactory, long-term operational safety.

Our customer service department will be happy to assist you. Please contact them if you have any questions after working through these operating instructions.

1.1 Further applicable documents






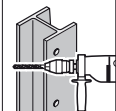









Depending on the ordered accessories, the delivery includes further instructions, e.g. instructions on how to control the door. Also read these instructions carefully and thoroughly. Pay attention to and follow the instructions provided herein, particularly the safety instructions and warnings.





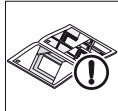

1.2 Warnings used

	The general warning symbol indicates a danger that can lead to <b>injury</b> or <b>death</b> . In the text, the general warning symbol will be used in connection with the caution levels described below. In the illustrated Section, an additional instruction refers back to the explanation in the text.
 <b>DANGER</b>	Indicates a danger that leads directly to death or serious injuries.
 <b>WARNING</b>	Indicates a danger that can lead to death or serious injuries.
 <b>CAUTION</b>	Indicates a danger that can lead to minor or moderate injuries.
<b>ATTENTION</b>	Indicates a danger that can lead to <b>damage</b> or <b>destruction</b> of the product.



### 1.3 Symbols Used

	Important advice to prevent injury to persons or damage to property
	Warning of dangerous electrical voltage
	Tighten the screws firmly
	Tighten the screws by hand
	Optional components
	Drilling in steel
	Drilling in concrete
	Remove residue
	Inspect
	Danger of crushing
	Risk of shearing
	Risk of impact
	Risk of trapping during door travel
	Grease
	Thread lock

	Correct arrangement or activity
	Non-permissible arrangement or activity
	Remove and dispose of component or packaging
	See text section
	See illustrated section
	See separate Fitting Instructions for the control or for the additional electrical control elements

### 1.4 Abbreviations Used

EN	European Standard
OFF (FFL)	Top edge of finished floor line
LDB	Clear passage width
LDH	Clear passage height

## 2 Safety Instructions

When used properly and for the intended purpose, industrial doors are reliable and safe to operate. Nevertheless, when used incorrectly or for purposes other than those intended, they can pose a risk. We therefore expressly draw your attention to the safety instructions contained in the individual chapters.

### 2.1 Intended use

Industrial doors are used to close passage openings, to safely shut off rooms, to make machines safe and secure, to save energy costs, to improve the room air conditions and to accelerate the flow of materials.

Intended use also includes paying attention to these instructions and observing inspection and maintenance conditions.

Any other or further use is regarded as non-intended use. The manufacturer / supplier is not liable for any damage resulting from this. The risk is borne solely by the user.

### 2.2 Qualification of personnel

Only qualified and instructed personnel may fit, operate and maintain the industrial door.

Before commencing work the assigned personnel must read these instructions, particularly chapter 2.

For safety reasons, specify distinct responsibilities for operation, maintenance and repairs to ensure that there are no unclear assignments.

**2.3 Standards and regulations**

As the operator or owner of the door system, you are responsible for ensuring that the following regulations are observed and complied with (without any claim to completeness).

**European Standards**

- EN 12445 Doors – Safety in use of power operated doors: Test methods
- EN 12453 Doors – Safety in use of power operated doors: Requirements
- EN 12604 Doors – Mechanical aspects: Requirements
- EN 12978 Doors – Safety devices for power operated doors: Requirements and test methods
- EN 60335-1 Safety of electrical equipment for domestic use and similar purposes – part 1: General requirements
- EN 61508 Functional safety of electrical / electronic / programmable electronic safety-related systems

**VDE Regulations**

- VDE 0113 Electrical installations with electronic equipment
- VDE 0700 Safety of electronic devices for domestic use and similar purposes

**Accident prevention regulations**

- BGV A3 Electrical installations and equipment
- ASR A1.7 Technical Rules for Workplaces

**2.4 General safety instructions**

- In addition, also observe the generally applicable statutory regulations and other binding regulations for accident prevention and environmental protection, country-specific regulations, and the recognised specialist technical rules for safe and competent working must be observed. Before beginning work, instruct personnel in accordance with these rules and regulations.
- Always keep these instructions ready to hand at the location where the industrial door is used.
- Without the supplier’s prior approval, do not carry out any modification, attachment or conversion work on the industrial door which might compromise safety.
- Do not make any modifications to the software on programmable control systems.
- The location and operation of fire extinguishers must be indicated by appropriate information signs. Observe the statutory fire alarm and fire-fighting regulations.
- All work on the industrial door (such as maintenance, cleaning work and inspections) may only be performed during an operational shutdown.
- Only qualified electricians may perform work on the mains supply.
- Before undertaking any work, disconnect the system from the mains supply and ensure that it cannot be inadvertently turned on. If available, deactivate the emergency opening lever.


**2.5 Safety instructions for operation**

- Before actuating the door, make sure that no persons or objects are located in the door’s area of travel.
- Do not reach into the guide or guide area while the door is in operation.
- Only actuate the industrial door if it is safe and functional. All protective devices and safety-related devices (e.g. detachable protective devices and emergency-OFF devices) must be present and functioning.
- Do not modify or put the safety devices out of operation.

**2.6 Safety instructions for maintenance and troubleshooting**

- Perform inspection and maintenance work as described in chapter 6. Comply with the maintenance intervals and note the information on the replacement of parts / partial equipment.
- Maintenance and troubleshooting may only be carried out by specialist personnel.
- Only use spare parts that comply with the technical requirements specified by the manufacturer. This is always guaranteed when original spare parts are used.
- Only carry out welding, burning and grinding work on the industrial door if this work has been expressly approved. For example, there may be a risk of fire and explosion! Prior to welding, burning and grinding, remove dust and combustible materials from the industrial door and its surroundings and ensure that there is adequate ventilation (risk of explosion)!
- Before disassembling the operator, fix the shaft on the operator side (e.g. with a forklift).

**3 Fitting**

 <b>DANGER</b>
<p><b>Mains voltage!</b></p> <p>Contact with the mains voltage presents the danger of a deadly electric shock. For that reason, observe the following warnings under all circumstances:</p> <ul style="list-style-type: none"> <li>▶ Only qualified electricians may perform work on the mains supply.</li> <li>▶ Make sure that the on-site electrical installation complies with the applicable safety requirements.</li> <li>▶ Ensure that the national regulations governing the operation of electrical equipment are complied with.</li> <li>▶ Install the control unit for the industrial door operator within sight of the door.</li> <li>▶ Before undertaking any electrical work, disconnect the system from the mains supply and ensure that it cannot be inadvertently turned on.</li> </ul>

<b>ATTENTION</b>
<p><b>External voltage</b></p> <p>External voltage on the connecting terminals of the control will destroy the electronics.</p> <ul style="list-style-type: none"> <li>▶ Do not apply any external voltage (e.g. mains voltage) to the connecting terminals of the control unit.</li> </ul>

<b>ATTENTION</b>
<p><b>Pull forces on electric cables</b></p> <p>Pull forces on electric cables will destroy the electronics.</p> <ul style="list-style-type: none"> <li>▶ Never pull on the connecting leads of the electrical components.</li> </ul>


**NOTE:**





Also follow the other enclosed instructions for installation of electrical connections and fitting additional electrical control elements.

**To fit the door:**

1. Take precautionary measures to make the site safe.
2. Check the on-site fitting conditions for the door (check measurements).
3. Check the quality of the structure for its strength.
4. Choose suitable fastenings.
5. Unpack the door and check for damage.
6. If delivered by a freight forwarder: Report any damage immediately.
7. Check that the delivery is complete.  
The delivery must include:
  - 2 side elements
  - 1 top part with bottom track
  - 1 box containing hardware and operator
  - Operator and shaft cladding (option)
8. Dispose of the packaging material.
9. Fit the door as shown in the illustrated section.

## 4 Putting into Service

 <b>WARNING</b>
<p><b>Faulty door</b></p> <p>A faulty door may injure persons or damage objects.</p> <ul style="list-style-type: none"> <li>▶ Only put the door into service if it is in perfect condition.</li> </ul>

 <b>WARNING</b>	
  	<p><b>Door movements</b></p> <p>Door travel may injure persons or damage objects.</p> <ul style="list-style-type: none"> <li>▶ Make sure that no persons or objects are in the door's closing area during operation.</li> <li>▶ Never use the door to lift objects or persons.</li> <li>▶ Never reach into the guide, guide are, chain, toothed wheel or return pulley during door operation.</li> </ul>

### 4.1 Setting the End-of-travel Positions

The end-of-travel positions of the door are set on the control cabinet.

**NOTE:**

Please follow the instructions supplied with the operator and control unit.

### 4.1.1 CLOSE end-of-travel position

<b>ATTENTION</b>
<p><b>Exceeding the CLOSE end-of-travel position</b></p> <p>If the door travels beyond the <i>Close</i> end-of-travel position, the bottom profile may be compressed. This could disrupt the diode deactivation of the light grille.</p> <ul style="list-style-type: none"> <li>▶ Never exceed the <i>CLOSE</i> end-of-travel position.</li> </ul>

- ▶ Set the *CLOSE* end-of-travel position so that the bottom profile makes full contact with the floor. If the guide is supported or the floor uneven, select the bottom edge of the side element as the end-of-travel position.

### 4.1.2 OPEN end-of-travel position





<b>ATTENTION</b>
<p><b>Exceeding the OPEN end-of-travel position</b></p> <p>If the door travels beyond the <i>OPEN</i> end-of-travel position, there is a risk of the door curtain slipping out of the side guides and sustaining damage.</p> <ul style="list-style-type: none"> <li>▶ Never exceed the <i>OPEN</i> end-of-travel position.</li> </ul>

- ▶ Set the *OPEN* end-of-travel position so that the lower edge of the bottom profile corresponds to the dimension for the door height.

## 4.2 Test run

1. After fitting the door, test the functional safety according to the acceptance / handing-over report.
2. Verify in the test log book (dated and signed) that a test run has been successfully completed.
3. Hand the entire door documentation over to the owner or operator of the door.

## 5 Operation

 <b>WARNING</b>	
  	<p><b>Door movements</b></p> <p>Door travel may injure persons or damage objects.</p> <ul style="list-style-type: none"> <li>▶ Make sure that no persons or objects are in the door's closing area during operation.</li> <li>▶ Make sure that the door has opened completely before driving in or out! Never drive or walk through doorways unless the door has reached the <i>OPEN</i> end-of-travel position.</li> <li>▶ Whenever driving in or out of the opening, always check that the door curtain has travelled up far enough to provide the necessary passage height.</li> <li>▶ Never use the door to lift objects or persons.</li> <li>▶ Do not reach into the guide or guide area while the door is in operation.</li> </ul>

<b>ATTENTION</b>
<p><b>Emergency operation devices</b></p> <p>Too frequent use of the emergency operation devices may damage them. This will also void the warranty for the door.</p> <ul style="list-style-type: none"> <li>▶ Only use the emergency operation devices in the case of a power failure or during repair work.</li> </ul>

<b>ATTENTION</b>
<p><b>Aggressive media, wind and heat</b></p> <p>Aggressive media, wind and heat may damage the door.</p> <ul style="list-style-type: none"> <li>▶ Protect the door from aggressive media:             <ul style="list-style-type: none"> <li>- Saltpeter from stone or concrete</li> <li>- Cement</li> <li>- Plaster</li> <li>- Acids</li> <li>- Alkali</li> <li>- Road salt</li> <li>- Aggressive paints or sealants</li> <li>- Aggressive sealants</li> </ul> </li> <li>▶ Avoid temperatures greater than 50°C near the door.</li> </ul>

**5.1 Instructed personnel**

The door may only be operated by persons who have been instructed in its proper use. A person is considered to be instructed (EN 12453), if he / she has received instruction as to how to operate the door safely and has received permission from the owner to use the door system.


**5.2 Normal wear**


The design of the door represents state-of-the-art technology. Pressure marks and abrasive wear are design-related and cannot be avoided.





**5.3 Emergency-OFF**



- ▶ In emergency situations, de-energise the control by actuating the main switch, pulling the mains plug or, if available, actuating the red **emergency-OFF** button.

**6 Inspection and Maintenance**

 <b>WARNING</b>
<p><b>Unmaintained doors</b></p> <p>There is a danger of injury and damage if the door is not regularly maintained. This will also void the warranty.</p> <ul style="list-style-type: none"> <li>▶ Inspect and maintain the door regularly as described in these instructions or entrust this work to the manufacturer's service department.</li> </ul>

 <b>DANGER</b>
<p><b>Mains voltage!</b></p> <p>Contact with the mains voltage presents the danger of a deadly electric shock.</p> <ul style="list-style-type: none"> <li>▶ Before undertaking any electrical work, disconnect the system from the mains supply and ensure that it cannot be inadvertently turned on.</li> </ul>

 <b>WARNING</b>	
  	<p><b>Door movements</b></p> <p>There is a danger of injury and damage if the door is actuated during inspection or maintenance work.</p> <ul style="list-style-type: none"> <li>▶ Before undertaking any work, disconnect the system from the mains supply and ensure that it cannot be inadvertently turned on.</li> <li>▶ If available, deactivate the emergency opening lever / handle.</li> </ul>

 <b>WARNING</b>	
	<p><b>Falling parts</b></p> <p>During dismantling, parts may fall and injure persons or damage property.</p> <p><b>Cladding (option)</b></p> <ul style="list-style-type: none"> <li>▶ Fix the cladding (e.g. with a forklift) before dismantling.</li> </ul> <p><b>Shaft</b></p> <ul style="list-style-type: none"> <li>▶ Fix the shaft (e.g. with a forklift) before dismantling the operator.</li> </ul>

Only inspect and maintain the door yourself if you are a qualified specialist (competent person according to EN 12635). In other words, you have the suitable training, specialist knowledge and practical experience to allow you to carry out inspection and maintenance correctly and safely.

Observe all the applicable regulations governing work safety.

In general, we recommend entrusting maintenance / inspection to the manufacturer's service department.

The high-speed door is low-maintenance. In normal operating conditions, all the bearings, including the gears, are lubricated for life and are maintenance-free.

**6.1 Maintenance intervals**

In compliance with the guidelines for power-operated windows, doors and gates (ASR A1.7) testing and maintenance of the door must be carried out once a year, and as far as possible at the same intervals.

Depending on the size of the door and the annual number of door cycles, we recommend the following maintenance intervals:

**In the case of a high number of door cycles (> 50000 per year):**

Servicing of the functional elements every six months:

- Electric operator and brake
- All screw connections
- Travel limit cut-off / creep speed switch-over
- Control / impulse generator

**In the case of a smaller number of door cycles:**

Annual servicing in conjunction with the stipulated test procedures according to German accident prevention regulations UVV (in compliance with ASR A1.7).

- ▶ Check the function of the "D" devices (photocell / light grille) every six months.

## 6.2 Wearing parts

If provided, the indicated maximum assumable cycles or door cycles apply to the following wearing parts:

Wearing parts	Cycles	Period
Operator (60 % ON time)	500 000	2 years
Operator (tubular drive; 60 % ON time)	350 000	2 years
Brake	250 000	2 years
Radio crash switch battery	- / -	3 years
Energy chain with cable	250 000	2 years
Springs	100 000	2 years
Belt	100 000	2 years
Rollers	100 000	2 years
UPS battery	- / -	1.5 years
UPS battery (RW doors)	- / -	1 years
Hinges	100 000	2 years
Seals/sealing strip	150 000	2 years
Curtain (insulated)	150 000	2 years

## 7 Control

The control system is manufactured individually for each door ordered. The respectively applicable wiring diagram is deposited in the control cabinet.

- ▶ Add the wiring diagram and software description to these instructions.

Each control cabinet has its own identification number.

- ▶ Always quote this number in the case of queries.

## 8 Malfunctions and Troubleshooting

In the case of malfunctions, contact the Customer Service.

### Operator power


The operating voltage must be 230 V ± 5 % or 400 V ± 5 %. If the voltage deviates greatly from this, there may be problems with the operator power.

## 9 Cleaning and Care

Use warm water together with a neutral, non-abrasive cleaning agent (household detergent, pH value 7).

To clean the surface, use only a soft cloth or window leather. Rinse off any dirt and dust particles with clear water.



## 10 Extension and Conversion

 <b>WARNING</b>	
<b>Unsuitable components</b>	
Unsuitable components could overload the door construction. This could lead to serious injury.	
▶ Only use components approved by the manufacturer.	

Only extend or convert this door system with the manufacturer's permission.

Carrying out any structural alterations to the product without the manufacturer's permission renders the warranty and product liability null and void.

## 11 Dismantling and Disposal

 <b>WARNING</b>	
	<b>Falling parts</b>
	During dismantling, parts may fall and injure persons or damage property
	<b>Cladding (option)</b>
	▶ Fix the cladding (e.g. with a forklift) before dismantling.
	<b>Shaft</b>
	▶ Fix the shaft (e.g. with a forklift) before dismantling the operator.

Only dismantle this door if you are qualified to do so (i.e. are a competent person in accordance with EN 12635). In other words, you have the suitable training, specialist knowledge and practical experience to allow you to dismantle the door correctly and safely.

Observe all the applicable regulations governing work safety when dismantling the door.

### To dismantle and dispose of the door:

1. Open the door fully.
2. Carefully roll up the door manually (emergency manual operation).
3. Tape round the door curtain several times with strong adhesive tape (e.g. packing tape) to prevent it from unrolling.
4. Drive a forklift truck with suitable pallet or supporting frame underneath the shaft, so that the shaft rests on the pallet or supporting frame.
5. Release the fastenings securing the bearing and the operator.
6. Lift the shaft or top part together with the operator off the support brackets.

### CAUTION

#### The operator may slide off the barrel journal

- ▶ When letting the shaft or top part down, take care to keep it level.
7. Dismantle the side guides or side elements and support brackets.
  8. Disassemble the door into component parts and dispose of them properly.

## 12 Spare Parts

Item	Order no.	Designation
1	4990890	Operator side <sup>1)</sup>
2	4990896	Bearing side <sup>1)</sup>
3	4990800	Complete operator support bracket
4a	4990801	Right cover LDH ≤ 3250 <sup>1)</sup>
4b	4990802	Top right cover LDH > 3250 <sup>1)</sup>
4c	4990803	Bottom right cover LDH > 3250 <sup>1)</sup>
5a	4990804	Left cover LDH ≤ 3250 <sup>1)</sup>



Item	Order no.	Designation
5b	4990805	Top left cover LDH > 3250 <sup>1)</sup>
5c	4990806	Bottom left cover LDH > 3250 <sup>1)</sup>
6	4990807	Shaft support
7		Single spring <sup>1)</sup>
8	4990893	Complete right spring assembly <sup>1)</sup>
9	4990894	Complete left spring assembly <sup>1)</sup>
10	4990808	Chain sprocket
11	4990809	Complete right chain tensioner wheel
12	4990810	Complete left chain tensioner wheel
13	4991026	Belt 25 mm
14	159568	Roller chain reinforced
15	159403	Grooved ball bearing ASPFL 208
16	4990812	Button with wiring right
17	4990813	Button with wiring left
18	159406	Left chain monitoring button
19	159405	Right chain monitoring button
20	4990815	Limit switch
21	4990816	Complete right aluminium profile guide <sup>1)</sup>
22	4990817	Complete left aluminium profile guide <sup>1)</sup>
23		Light grille <sup>1)</sup>
24	4991153	Seal for guide
25	4990750	Operator
26	157686	Brake 11 Nm 103 V DC
27	158171	Emergency hand chain gearbox
28	157779	Hand chain
29	306407	Hand chain link
30	4991848	Complete top panel <sup>1)</sup>
31	4990819	Complete window aluminium profile <sup>1)</sup>
32	4990820	Complete PU panel <sup>1)</sup>
33	4990821	Complete bottom part <sup>1)</sup>
34	4990822	Complete U-profile with chain connection right
35	4990823	Complete U-profile with chain connection left
36	4990824	Complete chain connection
37	4990829	Spacer
38	4990830	Cover bar
39	4990831	Cover fixing bracket
40	306843	Rubber profile
41a	4990832	Complete right spiral support LDH ≤ 5000 <sup>1)</sup>
41b	4990875	Complete right spiral support LDH > 5000 <sup>1)</sup>
42a	4990833	Complete left spiral support LDH ≤ 5000 <sup>1)</sup>
42b	4990876	Complete left spiral support LDH > 5000 <sup>1)</sup>
43	4990834	Right support sheet

Item	Order no.	Designation
44	4990835	Left support sheet
45	4991214	Return pulley for spring assembly belt complete
46	4990837	Complete hinge connector
47a	4990838	Complete black centre hinge
47b	4990797	Complete silver centre hinge
48	4990839	U-profile <sup>1)</sup>
49	4991632	Complete belt clamping roller
50	4990841	Operator shaft <sup>1)</sup>
51	4990842	Complete inspection cover with bearing right
52	4990843	Complete inspection cover with bearing left
53	159137	Keypad (only AS 500)
54	158645	Main switch (only AS 500)
55	157299	Rotary release emergency-off button
56	4990887	Light grille support
57	4990854	Fixing clip
58	157097	Keypad extension
59	306421	Keypad (only BK 150 FUE H)
60	4991158	Cladding, complete
61	159611	Lockable main switch (only BK 150 FUE H)
62	4990818	Roller with band
63a	4991415	Curtain loop complete <sup>1)</sup>
63b	157333	Brush seal lintel 6 × 7 <sup>1)</sup>
64a	4991426	Sealing frame channel <sup>1)</sup>
64b	157332	Lintel brush aluminium profile <sup>1)</sup>
65	4991427	Sealing frame clips <sup>1)</sup>
66	4991703	Distance sleeve 10 mm
67	159163	Adjusting ring
68	4991839	Anti-deflection roller
69	4991849	Connection angle

1) State purchase order no.



## Spis treści

<b>1</b>	<b>Informacje dotyczące niniejszej instrukcji.....</b>	<b>11</b>
1.1	Obowiązujące dokumenty .....	11
1.2	Stosowane wskazówki ostrzegawcze .....	11
1.3	Stosowane symbole .....	12
1.4	Stosowane skróty .....	12
<b>2</b>	<b>⚠ Wskazówki dotyczące bezpieczeństwa .....</b>	<b>12</b>
2.1	Stosowanie zgodne z przeznaczeniem .....	12
2.2	Kwalifikacje personelu.....	13
2.3	Normy i przepisy.....	13
2.4	Ogólne zasady bezpieczeństwa.....	13
2.5	Wskazówki dotyczące bezpiecznej eksploatacji.....	13
2.6	Wskazówki dotyczące bezpiecznego wykonywania konserwacji i usuwania awarii.....	13
<b>3</b>	<b>Montaż.....</b>	<b>14</b>
<b>4</b>	<b>Uruchomienie.....</b>	<b>14</b>
4.1	Ustawienie położenia krańcowych.....	14
4.2	Bieg próbny .....	15
<b>5</b>	<b>Eksploatacja.....</b>	<b>15</b>
5.1	Przeszkolony personel.....	15
5.2	Normalne zużycie .....	15
5.3	Wyłącznik awaryjny .....	15
<b>6</b>	<b>Kontrola i konserwacja .....</b>	<b>15</b>
6.1	Okresy wykonywania konserwacji.....	16
6.2	Elementy podlegające zużyciu .....	16
<b>7</b>	<b>Sterowanie .....</b>	<b>16</b>
<b>8</b>	<b>Zakłócenia i usuwanie błędów .....</b>	<b>16</b>
<b>9</b>	<b>Czyszczenie i konserwacja.....</b>	<b>16</b>
<b>10</b>	<b>Rozbudowa i przebudowa .....</b>	<b>17</b>
<b>11</b>	<b>Demontaż i utylizacja .....</b>	<b>17</b>
<b>12</b>	<b>Części zamienne.....</b>	<b>17</b>



.....58

Szanowni Klienci,  
cieszymy się, że wybraliście Państwo wysokiej jakości produkt naszej firmy.

## 1 Informacje dotyczące niniejszej instrukcji

Niniejsza instrukcja dzieli się na część opisową i ilustrowaną. Część ilustrowana znajduje się bezpośrednio po części opisowej.

Tłumaczenie Instrukcji oryginalnej. Prosimy o dokładne przeczytanie całej instrukcji, która zawiera ważne informacje na temat produktu. Prosimy stosować się do zawartych w niej wskazówek, szczególnie ostrzeżeń i wskazówek dotyczących bezpieczeństwa.

Prosimy starannie przechowywać niniejszą instrukcję oraz upewnić się, że użytkownik urządzenia ma w każdej chwili możliwość wglądu do instrukcji.

Producent nie odpowiada za szkody powstałe wskutek nieprzestrzegania niniejszej instrukcji, zawartych w niej wskazówek oraz używania bramy przemysłowej w sposób niezgodny ze zwykłym przeznaczeniem.

Fachowa obsługa i staranna konserwacja mają zasadniczy wpływ na wydajność i niezawodność funkcjonowania zakupionej przez Państwa bramy przemysłowej. Błędy eksploatacyjne i nieprawidłowa konserwacja prowadzą do niepotrzebnych zakłóceń działania. Zadowolające i długotrwałe bezpieczeństwo zapewnić może wyłącznie prawidłowa obsługa i należyta konserwacja.

Nasi pracownicy serwisu chętnie odpowiedzą na wszelkie Państwa pytania. W przypadku wątpliwości po zapoznaniu się z niniejszą instrukcją prosimy skontaktować się z naszym działem serwisu.

### 1.1 Obowiązujące dokumenty

Dostawa zawiera także inne instrukcje w zależności od zamówionego wyposażenia dodatkowego, np. instrukcję sterowania bramy. Prosimy o dokładne przeczytanie tych instrukcji w całości. Prosimy stosować się do zawartych w nich wskazówek, szczególnie ostrzeżeń i wskazówek dotyczących bezpieczeństwa.

### 1.2 Stosowane wskazówki ostrzegawcze



Ogólny symbol ostrzegawczy oznacza niebezpieczeństwo, które może prowadzić do **urazów** lub **śmierci**. W części opisowej ogólny symbol ostrzegawczy stosowany jest w połączeniu z niżej określonymi stopniami zagrożenia. W części ilustrowanej dodatkowo odnośnik wskazuje na wyjaśnienia zawarte w części opisowej.

#### ⚠ NIEBEZPIECZEŃSTWO

Oznacza niebezpieczeństwo, które prowadzi bezpośrednio do ciężkich urazów lub śmierci.

#### ⚠ OSTRZEŻENIE

Oznacza niebezpieczeństwo, które może prowadzić do poważnych urazów lub śmierci.

#### ⚠ UWAGA






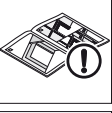

Oznacza niebezpieczeństwo, które może prowadzić do skaleczeń niskiego lub średniego stopnia.

**UWAGA**

Oznacza niebezpieczeństwo, które może spowodować **uszkodzenie lub zniszczenie wyrobu.**

**1.3 Stosowane symbole**

	Ważne wskazówki dotyczące bezpieczeństwa osób i mienia
	Ostrzeżenie przed niebezpiecznym napięciem elektrycznym
	Dokręcić śruby
	Ręcznie dokręcić śruby
	Opcjonalne elementy konstrukcyjne
	Wiercenie w stali
	Wiercenie w betonie
	Usunąć pozostałości
	Kontrola
	Niebezpieczeństwo zgniecenia
	Niebezpieczeństwo przecięcia
	Niebezpieczeństwo uderzenia
	Niebezpieczeństwo wciągnięcia przez bramę
	Nasmarować

	Zabezpieczenie śrub
	Prawidłowe położenie lub czynność
	Nieprawidłowe położenie lub czynność
	Element lub opakowanie usunąć i poddać utylizacji
	Patrz część opisowa
	Patrz część ilustrowana
	Patrz oddzielna instrukcja montażu sterowania lub dodatkowych elektrycznych elementów obsługi

**1.4 Stosowane skróty**

EN	Norma europejska
OFF	Górna krawędź gotowej posadzki
LDB	Szerokość przejazdu w świetle
LDH	Wysokość przejazdu w świetle

**2 Wskazówki dotyczące bezpieczeństwa**

Bramy przemysłowe są bezpieczne w eksploatacji pod warunkiem ich właściwego i zgodnego z przeznaczeniem użytkowania. Niefachowa obsługa bądź eksploatacja w sposób niezgodny z przepisami może być źródłem różnego rodzaju zagrożeń. W związku z powyższym zwracamy szczególną uwagę na wskazówki dotyczące bezpieczeństwa zawarte w poszczególnych rozdziałach.

**2.1 Stosowanie zgodne z przeznaczeniem**

Bramy przemysłowe stosuje się jako zamknięcia otworów przejściowych. Zapewniają one bezpieczne zamknięcie pomieszczeń, ochronę maszyn, obniżenie zużycia energii, poprawę klimatu pomieszczeń i usprawnienie przepływu materiałów.

Pod pojęciem stosowania zgodnego z przeznaczeniem należy rozumieć także stosowanie się do niniejszej instrukcji oraz przestrzeganie warunków wykonywania przeglądów i konserwacji.

Używanie bram przemysłowych do innych celów uważa się za niezgodne z przeznaczeniem. Producent / dostawca nie odpowiada za szkody wynikające z nieprawidłowego stosowania bramy. Ryzyko w tym zakresie ponosi wyłącznie użytkownik.

## 2.2 Kwalifikacje personelu

Bramę przemysłową może instalować, użytkować i konserwować wyłącznie wykwalifikowany i przeszkolony personel.

Osoby, którym zlecono obsługę bramy, są zobowiązane przed rozpoczęciem prac do zapoznania się z niniejszą instrukcją, w szczególności z rozdziałem 2.

Należy ustalić jednoznaczny zakres odpowiedzialności dotyczący obsługi, konserwacji i utrzymania bramy, aby w aspekcie bezpieczeństwa pracy wykluczyć wszelkie nieporozumienia kompetencyjne.

## 2.3 Normy i przepisy

Jako użytkownik lub posiadacz bramy jesteś zobowiązany do przestrzegania i dotrzymywania poniższych przepisów (z wyłączeniem rozszczeń dot. kompletności postanowień).

### Normy europejskie

EN 12445	Bramy – Bezpieczeństwo użytkowania bram z napędem – Metody badania
EN 12453	Bramy – Bezpieczeństwo użytkowania bram z napędem – Wymagania
EN 12604	Bramy – Aspekty mechaniczne – Wymagania
EN 12978	Bramy – Urządzenia zabezpieczające do bram z napędem – Wymagania i metody badań
EN 60335-1	Bezpieczeństwo elektrycznych urządzeń do użytku domowego i podobnego zastosowania – Część 1: Wymagania ogólne
EN 61508	Bezpieczeństwo funkcjonalne elektrycznych / elektronicznych / programowalnych elektronicznych systemów związanych z bezpieczeństwem

### Przepisy VDE

VDE 0113	Urządzenia elektryczne z elektronicznymi elementami obsługi
VDE 0700	Bezpieczeństwo elektronicznych urządzeń do użytku domowego i podobnego zastosowania

### Przepisy o przeciwdziałaniu wypadkom

BGV A3	Urządzenia elektryczne i elektryczne elementy obsługi
ASR A1.7	Regulacje techniczne obowiązujące w miejscach pracy

## 2.4 Ogólne zasady bezpieczeństwa

- Należy przestrzegać ogólnie obowiązujących przepisów prawa i innych wiążących postanowień z zakresu bezpieczeństwa i higieny pracy oraz ochrony środowiska, przepisów właściwych dla kraju odbiorcy, a także stosować się do zasad technicznych dotyczących bezpiecznego i należytego wykonywania prac. W myśl powyższych zasad i przepisów przed przystąpieniem do pracy należy poinstruować personel.
- Niniejszą instrukcję należy zawsze przechowywać w miejscu instalacji bram przemysłowej.

- Bez zgody dostawcy zabrania się wprowadzania zmian w bramie przemysłowej, montowania dodatkowych elementów lub wykonywania przebudowy, które mogą mieć wpływ na bezpieczeństwo jej działania.
- Zabrania się dokonywania zmian w oprogramowaniu systemów sterujących.
- Należy oznaczyć miejsce przechowywania i sposób użycia gaśnic na odpowiednich tabliczkach informacyjnych. Przestrzegać przepisów przeciwpożarowych i dotyczących zwalczania pożaru.
- Wszelkie prace na bramie przemysłowej, takie jak czynności konserwacyjne, czyszczenie i przegląd, wolno przeprowadzać tylko przy wyłączonej bramie.
- Wykonanie podłączeń elektrycznych należy powierzyć wyłącznie wykwalifikowanym elektromonterom.
- Przed rozpoczęciem jakichkolwiek prac należy odłączyć napięcie i zabezpieczyć przed włączeniem przez osoby niepowołane. Odłączyć dźwignię otwierania awaryjnego (jeżeli zamontowano).

## 2.5 Wskazówki dotyczące bezpiecznej eksploatacji

- Przed uruchomieniem bramy należy się upewnić, że w obszarze pracy bramy nie znajdują się żadne przedmioty ani nie przebywają ludzie, w szczególności dzieci.
- Podczas biegu bramy nie należy chwytać za prowadnicę lub profil wpustowy.
- Bramę przemysłową można używać tylko, jeśli znajduje się w nienagannym stanie technicznym. Z bramy można korzystać pod warunkiem, że zainstalowano wszystkie sprawne urządzenia ochronne i zabezpieczające (np. odłączane mechanizmy zabezpieczające i wyłączniki awaryjne).
- Zabrania się dokonywania zmian w urządzeniach zabezpieczających lub ich odłączania.

## 2.6 Wskazówki dotyczące bezpiecznego wykonywania konserwacji i usuwania awarii

- Wykonaj przegląd i prace konserwacyjne opisane w rozdziale 6. Zachowaj terminy wykonywania konserwacji i stosuj się do wytycznych dotyczących wymiany części / podzespołów.
- Wykonanie prac konserwacyjnych i usuwanie awarii należy powierzyć wyłącznie osobie posiadającej odpowiednie kwalifikacje.
- Stosuj tylko części zamienne, które spełniają wymogi techniczne ustalone przez producenta. Warunki te spełniają zawsze oryginalne części zamienne.
- Spawanie, wypalanie i szlifowanie można wykonywać tylko po uzyskaniu wyraźnego zezwolenia. Istnieje m. in. niebezpieczeństwo wybuchu i pożaru! Przed przystąpieniem do spawania, wypalania i szlifowania oczyść bramę przemysłową i jej otoczenie z pyłu i łatwopalnych materiałów (niebezpieczeństwo wybuchu), a także zapewnij dostateczną wentylację.
- Przed zdemontowaniem napędu należy unieruchomić wał po stronie napędu (np. przy pomocy wózka widłowego).

### 3 Montaż

#### NIEBEZPIECZEŃSTWO

##### Napięcie sieciowe!

Kontakt z napięciem sieciowym grozi śmiertelnym porażeniem prądem. Dlatego prosimy bezwzględnie stosować się do poniższych wskazówek.

- ▶ Wykonanie połączeń elektrycznych należy powierzyć wyłącznie wykwalifikowanym elektromonterom.
- ▶ Upewnij się, że instalacja elektryczna odbiorcy spełnia wymogi przepisów ochrony i bezpieczeństwa.
- ▶ Pamiętaj o obowiązku przestrzegania obowiązujących przepisów krajowych dotyczących eksploatacji urządzeń elektrycznych.
- ▶ Sterowanie napędu bramy przemysłowej zamontuj w miejscu, z którego brama jest widoczna.
- ▶ Przed rozpoczęciem prac elektrycznych odłącz urządzenie od napięcia i zabezpiecz przed włączeniem przez osoby niepowołane.

#### UWAGA

##### Obce napięcie

Niepożądane napięcie na zaciskach przyłączeniowych sterowania prowadzi do uszkodzenia elektroniki napędu.

- ▶ Nie podłączaj obcego napięcia (np. napięcia sieciowego) do zacisków połączeniowych sterowania.

#### UWAGA

##### Siły ciągnięcia na przewodach elektrycznych

Siły ciągnięcia oddziałujące na przewody elektryczne prowadzą do uszkodzenia elektroniki.

- ▶ Nigdy nie ciągnąć za przewody połączeniowe części elektrycznych.

##### WSKAZÓWKA:

Prosimy stosować się także do pozostałych załączonych instrukcji dotyczących wykonywania instalacji i połączeń elektrycznych oraz montażu dodatkowych elektrycznych elementów obsługi.

##### W celu zamontowania bramy:

1. Zabezpiecz plac budowy.
2. Sprawdź warunki instalacji bramy i wymiary montażowe.
3. Skontroluj jakość i wytrzymałość podłoża.
4. Wybierz odpowiednie elementy mocujące.
5. Wypakuj bramę i sprawdź, czy nie jest uszkodzona.
6. Jeżeli brama została dostarczona przez firmę spedycyjną: niezwłocznie zgłoś ewentualne usterki.
7. Sprawdź, czy dostawa jest kompletna.  
Dostawa obejmuje:
  - 2 elementy boczne
  - 1 element górny z dolną szyną
  - 1 skrzynię z drobnymi elementami i napędem
  - obudowę napędu i wału (opcjonalnie)
8. Usuń i zutylizuj opakowanie.
9. Zamontuj bramę w sposób przedstawiony w części ilustrowanej.

### 4 Uruchomienie

#### OSTRZEŻENIE

##### Wadliwa brama

Wadliwie działająca brama może spowodować skaleczenie ludzi lub zniszczenie przedmiotów.

- ▶ Bramę można uruchamiać dopiero po warunkiem, że znajduje się w nienagannym stanie technicznym.

#### OSTRZEŻENIE



##### Brama w ruchu

Brama w ruchu może spowodować skaleczenie ludzi lub zniszczenie przedmiotów.

- ▶ Podczas użytkowania bramy należy się upewnić, że w obszarze zamykania bramy nie przebywają żadne osoby lub nie stoją na przeszkodzie żadne przedmioty.
- ▶ Zabrania się podnoszenia ludzi lub przedmiotów za pomocą bramy.
- ▶ Podczas korzystania bramy nie należy chwycić za prowadnicę, profil wpustowy, łańcuch, koło zębate ani rolękę zmiany kierunku.

#### 4.1 Ustawienie położenia krańcowych

Regulację położenia krańcowych bramy przeprowadza się w skrzynce rozdzielczej.

##### WSKAZÓWKA:

Prosimy przestrzegać instrukcji napędu i sterowania.

#### 4.1.1 Położenie krańcowe Brama zamknięta

#### UWAGA

##### Przekroczenie położenia krańcowego *Brama zamknięta*

Przy przekroczeniu położenia krańcowego *Brama zamknięta* istnieje niebezpieczeństwo wygięcia się profilu przypodłogowego. Taka sytuacja może spowodować zakłócenia w dezaktywacji diod od kraty świetlnej.

- ▶ Nie należy przekraczać położenia krańcowego *Brama zamknięta*.
- ▶ Ustaw położenie krańcowe *Brama zamknięta* w taki sposób, aby cały profil progowy stykał się z posadzką. W przypadku prowadnicy z podkładką lub nierównej posadzki jako położenie krańcowe wybierz poziom dolnej krawędzi elementu bocznego.

#### 4.1.2 Położenie krańcowe Brama otwarta

### UWAGA

#### Przekroczenie położenia krańcowego *Brama otwarta*

Przy przekroczeniu położenia krańcowego *Brama otwarta* istnieje niebezpieczeństwo, że kurtyna wzgl. pancerz bramy wypadnie z prowadnic i ulegnie uszkodzeniu.

- ▶ Nie należy przekraczać położenia krańcowego *Brama otwarta*.

- ▶ Ustaw położenie krańcowe *Brama otwarta* w taki sposób, aby odległość do dolnej krawędzi profilu progowego była równa wysokości bramy.

#### 4.2 Bieg próbny

- Po zakończeniu montażu prosimy sprawdzić bezpieczeństwo działania bramy zgodnie z protokołem zdawczo-odbiorczym.
- Przeprowadzenie biegu próbnego z pozytywnym wynikiem należy potwierdzić w książce kontroli przez złożenie podpisu pod datą.
- Całą dokumentację bramy należy przekazać posiadaczowi lub użytkownikowi bramy.

### 5 Eksploatacja

#### OSTRZEŻENIE



#### Brama w ruchu

Brama w ruchu może spowodować skaleczenie ludzi lub zniszczenie przedmiotów.



- ▶ Podczas użytkowania bramy należy się upewnić, że w obszarze zamykania bramy nie przebywają żadne osoby lub nie stoją na przeszkodzie żadne przedmioty.



- ▶ Przed wjazdem lub wyjazdem należy upewnić się, że brama jest całkowicie otwarta. Przed przejechaniem lub przejściem przez bramę należy upewnić się, że brama się zatrzymała.

- ▶ Przed wjazdem lub wyjazdem upewnij się, że została osiągnięta wymagana wysokość przejazdu.

- ▶ Zabrania się podnoszenia ludzi lub przedmiotów za pomocą bramy.

- ▶ Podczas biegu bramy nie należy chwycić za prowadnicę lub profil wpustowy.

### UWAGA

#### Urządzenia do obsługi awaryjnej

Zbyt częste używanie urządzeń do obsługi awaryjnej może prowadzić do ich uszkodzenia. Ponadto powoduje wygaśnięcie rękami na bramę.

- ▶ Z urządzeń do awaryjnej obsługi ręcznej należy korzystać wyłącznie w razie awarii zasilania lub podczas wykonywania prac naprawczych.

### UWAGA

#### Agresywnie działające środki, wiatr i wysoka temperatura

Agresywnie działające środki, wiatr i wysoka temperatura mogą spowodować uszkodzenie bramy.

- ▶ Chronić bramę przed działaniem agresywnych środków takich jak:
  - związki saletry z cegieł i zapraw
  - cement
  - gips
  - kwasy
  - ługi
  - sól do posypywania nawierzchni
  - silnie reagujące materiały malarskie
  - silnie reagujące materiały uszczelniające
- ▶ Unikaj temperatur przekraczających 50° C w pobliżu bramy.

#### 5.1 Przeszkolony personel

Bramę mogą obsługiwać wyłącznie osoby przeszkolone. Są to zgodnie z EN 12453 takie osoby, które zostały poinstruowane o sposobie bezpiecznej obsługi bramy i otrzymały pozwolenie na korzystanie z bramy.

#### 5.2 Normalne zużycie

Konstrukcja bramy szybkobieżnej odpowiada najnowszym osiągnięciom techniki. Nie można uniknąć zjawiska dociskania i tarcia, gdyż jest ono uwarunkowane konstrukcyjnie.

#### 5.3 Wyłącznik awaryjny

- ▶ W sytuacji awaryjnej należy wyłączyć sterowanie z prądu poprzez uruchomienie wyłącznika głównego, wyjęcie wtyczki sieciowej lub (jeżeli zamontowano) uruchomienie czerwonego **wyłącznika awaryjnego**.

### 6 Kontrola i konserwacja

#### OSTRZEŻENIE

#### Niekonserwowana brama

Zaniedbanie wykonywania okresowych przeglądów i konserwacji grozi doznaniem obrażeń przez ludzi i powstaniem uszkodzeń. Powoduje także wygaśnięcie rękami.

- ▶ Bramę należy regularnie kontrolować i konserwować w sposób opisany w niniejszej instrukcji lub powierzyć wykonanie tych prac pracownikom działu serwisu producenta.



#### NIEBEZPIECZEŃSTWO



#### Napięcie sieciowe!

Kontakt z napięciem sieciowym grozi śmiertelnym porażeniem prądem.

- ▶ Przed rozpoczęciem prac elektrycznych odłącz urządzenie od napięcia i zabezpiecz przed włączeniem przez osoby niepowołane.



 <b>OSTRZEŻENIE</b>	
	<p><b>Brama w ruchu</b></p> <p>Uruchomienie bramy podczas wykonywania przeglądu i prac konserwacyjnych grozi uszkodzeniami i doznaniem obrażeń.</p> <ul style="list-style-type: none"> <li>▶ Przed rozpoczęciem jakichkolwiek prac należy odłączyć napięcie i zabezpieczyć przed włączeniem przez osoby niepowołane.</li> <li>▶ Odłączyć dźwignię / uchwyt otwierania awaryjnego (jeżeli zamontowano).</li> </ul>
	
	

 <b>OSTRZEŻENIE</b>	
	<p><b>Odpadające części</b></p> <p>Podczas wykonywania demontażu może dojść do odpadnięcia części powodujących obrażenia wśród ludzi lub szkody materialne.</p> <p><b>Obudowa (opcjonalnie)</b></p> <ul style="list-style-type: none"> <li>▶ Zabezpiecz obudowę (n.p. przy pomocy wózka widłowego) przed przystąpieniem do jej demontażu.</li> </ul> <p><b>Wał</b></p> <ul style="list-style-type: none"> <li>▶ Przed zdemontowaniem napędu należy unieruchomić wał (n.p. przy pomocy wózka widłowego).</li> </ul>

Kontrolę i konserwację bramy może przeprowadzać tylko osoba posiadająca stosowne kwalifikacje (osoba kompetentna zgodnie z EN 12635). Jest to osoba posiadająca odpowiednie wykształcenie, wykwalifikowaną wiedzę i doświadczenie praktyczne do przeprowadzenia prawidłowej i bezpiecznej kontroli i konserwacji.

Należy przestrzegać wszystkich obowiązujących przepisów BHP.

Zasadniczo zalecamy zlecenie wykonania przeglądu i prac konserwacyjnych pracownikom serwisu producenta.

Brama szybkobieżna nie wymaga częstej konserwacji. W normalnych warunkach eksploatacyjnych wszelkie łożyska i przekładnie nie wymagają konserwacji ze względu na smarowanie fabryczne.

## 6.1 Okresy wykonywania konserwacji

Zgodnie z wytyczną dotyczącą okien, drzwi i bram z napędem (ASR A1.7) kontrolę i konserwację bramy należy przeprowadzać raz w roku z zachowaniem w miarę możliwości równych odstępów czasowych.

Zalecane okresy wykonywania konserwacji w zależności od wielkości bramy i cykli zmian obciążenia w roku:

### **Bardzo wysoka liczba cykli zmian obciążenia (> 50000 rocznie):**

Co pół roku konserwacja elementów funkcyjnych:

- napęd elektryczny i hamulec
- wszystkie połączenia śrubowe
- odłączanie w położeniach krańcowych / przełączanie na tryb zwolniony
- sterowanie / sterowniki impulsowe

### **Mniejsza liczba cykli zmian obciążenia:**

Konserwacja raz w roku w połączeniu z wymaganym przeglądem BHP (zgodnie z ASR A1.7).

- ▶ Raz na pół roku kontrola działania urządzeń typu D (fotokomórki / kraty świetlne).

## 6.2 Elementy podlegające zużyciu

W odniesieniu do elementów podlegających zużyciu obowiązują, jeśli podano, poniższe najwyższe przyjęte wartości cykli lub zmian obciążenia:

Elementy podlegające zużyciu	Cykle	Okres
Napęd (efektywny czas pracy 60 %)	500 000	2 lata
Napęd (silnik rurowy; efektywny czas pracy 60 %)	350 000	2 lata
Hamulec	250 000	2 lata
Bateria radiowego wyłącznika zderzeniowego	- / -	3 lata
Łańcuch energetyczny z przewodem	250 000	2 lata
Sprężyny	100 000	2 lata
Pasy	100 000	2 lata
Rolki bieżne	100 000	2 lata
Bateria UPS	- / -	1,5 roku
Bateria UPS (bramy RW)	- / -	1 rok
Zawiasy	100 000	2 lata
Uszczelki / listwy uszczelniające	150 000	2 lata
Kurtyna (izolowana)	150 000	2 lata

## 7 Sterowanie

Sterowanie jest produkowane dla każdej bramy zgodnie z zamówieniem. Obowiązujący schemat podłączeń i opis oprogramowania znajdują się w skrzynce rozdzielczej.

- ▶ Schemat podłączeń i opis oprogramowania prosimy dołączyć do niniejszej instrukcji.

Każda skrzynka rozdzielcza ma swój numer.

- ▶ Prosimy o podanie tego numeru w razie pytań.

## 8 Zakłócenia i usuwanie błędów

Zakłócenia działania bramy prosimy zgłaszać do działu serwisu.

### **Moc napędu**

Napięcie robocze musi wynosić 230 V ± 5 % lub 400 V ± 5 %. Większe wahania mogą powodować wystąpienie problemów z mocą napędu.


## 9 Czyszczenie i konserwacja

Do czyszczenia należy stosować czystą wodę z dodatkiem neutralnego, nieszorującego środka czyszczącego (płyn do mycia naczyń, pH 7).

Do czyszczenia używać tylko miękkich szmatek tekstylnych lub skórzanych. Drobiniki zanieczyszczeń i kurzu spłukać czystą wodą.





## 10 Rozbudowa i przebudowa

 <b>OSTRZEŻENIE</b>
<p><b>Nieodpowiednie elementy konstrukcyjne</b> Nieodpowiednie elementy konstrukcyjne mogą spowodować przeciążenie konstrukcji bramy. Grozi to utratą zdrowia lub życia.</p> <p>► W tym celu stosować należy tylko elementy zatwierdzone przez producenta.</p>

Prosimy zlecać wykonanie rozbudowy lub przebudowy bramy tylko za zgodą producenta.

Rękojmia i odpowiedzialność za produkt wygasają w przypadku dokonania zmian konstrukcyjnych bez zgody producenta.

## 11 Demontaż i utylizacja

 <b>OSTRZEŻENIE</b>	
	<p><b>Odpadające części</b> Podczas wykonywania demontażu może dojść do odpadnięcia części powodujących obrażenia wśród ludzi lub szkody materialne.</p> <p><b>Obudowa (opcjonalnie)</b> ► Zabezpiecz obudowę (np. przy pomocy wózka widłowego) przed przystąpieniem do jej demontażu.</p> <p><b>Wał</b> ► Przed zdemontowaniem napędu należy unieruchomić wał (np. przy pomocy wózka widłowego).</p>

Demontaż tej bramy może przeprowadzać tylko osoba posiadająca stosowne kwalifikacje (osoba kompetentna zgodnie z EN 12635). Jest to osoba posiadająca odpowiednie wykształcenie, wykwalifikowaną wiedzę i doświadczenie praktyczne do przeprowadzenia prawidłowego i bezpiecznego demontażu.

Podczas przeprowadzania demontażu należy przestrzegać wszystkich obowiązujących przepisów BHP.

### W celu zdemontowania i usunięcia bramy:

- Całkowicie otworzyć bramę.
- Ostrożnie nawinąć pancerz przy pomocy awaryjnej korby ręcznej.
- Kilka razy owinąć kurtynę lub pancerz bramy mocną taśmą klejącą (np. taśmą do pakowania) tak, żeby nie mógł się rozwinąć.
- Podjechać wózkiem widłowym z odpowiednią paletą lub wspornikiem pod wał tak, aby leżał na palecie lub wsporniku.
- Usunąć mocowanie podpory i napędu.
- Unieść wał wzgl. element górny z napędem z konsoli.

### UWAGA

#### Napęd może spaść z trzpienia wału nawijającego.

- Podczas opuszczania utrzymuj wał wzgl. element górny w pozycji poziomej.
- Zdemontować prowadnice wzgl. elementy boczne i konsole.
  - Rozłożyć bramę na poszczególne elementy i w fachowy sposób usunąć.

## 12 Części zamienne

Poz.	Nr zamówienia	Nazwa
1	4990890	Strona napędu <sup>1)</sup>
2	4990896	Strona podpory <sup>1)</sup>
3	4990800	Konsola strona napędu komplet
4a	4990801	Pokrywa prawa LDH ≤ 3250 <sup>1)</sup>
4b	4990802	Pokrywa górna prawa LDH > 3250 <sup>1)</sup>
4c	4990803	Pokrywa dolna prawa LDH > 3250 <sup>1)</sup>
5a	4990804	Pokrywa lewa LDH ≤ 3250 <sup>1)</sup>
5b	4990805	Pokrywa górna lewa LDH > 3250 <sup>1)</sup>
5c	4990806	Pokrywa dolna lewa LDH > 3250 <sup>1)</sup>
6	4990807	Wspornik wału
7		Pojedyncza sprężyna <sup>1)</sup>
8	4990893	Pakiet sprężyn z prawej strony komplet <sup>1)</sup>
9	4990894	Pakiet sprężyn z lewej strony komplet <sup>1)</sup>
10	4990808	Koło łańcuchowe
11	4990809	Koło napinające łańcuch prawe komplet
12	4990810	Koło napinające łańcuch lewe komplet
13	4991026	Pas 25 mm
14	159568	Łańcuch drabinkowo-tulejkowy wzmocniony
15	159403	Łożysko kulkowe ryflowane ASPFL 208
16	4990812	Przycisk z okablowaniem prawy
17	4990813	Przycisk z okablowaniem lewy
18	159406	Przycisk kontroli łańcucha lewy
19	159405	Przycisk kontroli łańcucha prawy
20	4990815	Wyłącznik krańcowy
21	4990816	Profil aluminiowy prowadnicy prawy komplet <sup>1)</sup>
22	4990817	Profil aluminiowy prowadnicy lewy komplet <sup>1)</sup>
23		Krata świetlna <sup>1)</sup>
24	4991153	Uszczelka prowadnicy
25	4990750	Napęd
26	157686	Hamulec 11 Nm 103 V DC
27	158171	Ręczna przekładnia awaryjna
28	157779	Zwijarka łańcuchowa
29	306407	Ogniwo łańcucha – łańcuch nawijany
30	4991848	Najwyższy pane komplet <sup>1)</sup>
31	4990819	Profil aluminiowy okienny komplet <sup>1)</sup>
32	4990820	Panel wypełniony PU komplet <sup>1)</sup>
33	4990821	Część dolna komplet <sup>1)</sup>
34	4990822	Profil U prawy z zawiesiem do łańcucha
35	4990823	Profil U lewy z zawiesiem do łańcucha
36	4990824	Zawiesie do łańcucha komplet

Poz.	Nr zamówienia	Nazwa
37	4990829	Wspornik odległościowy
38	4990830	Wspornik pokrywy
39	4990831	Kątownik mocujący pokrywy
40	306843	Profil gumowy
41a	4990832	Mocowanie spirali prawe komplet LDH $\leq$ 5000 <sup>1)</sup>
41b	4990875	Mocowanie spirali prawe komplet LDH $>$ 5000 <sup>1)</sup>
42a	4990833	Mocowanie spirali lewe komplet LDH $\leq$ 5000 <sup>1)</sup>
42b	4990876	Mocowanie spirali lewe komplet LDH $>$ 5000 <sup>1)</sup>
43	4990834	Podpora z blachy prawa
44	4990835	Podpora z blachy lewa
45	4991214	Rolka zmiany kierunku pas pakiet sprężyn komplet
46	4990837	Łącznik zawiasów komplet
47a	4990838	Zawias środkowy czarny komplet
47b	4990797	Zawias środkowy srebrny komplet
48	4990839	Profil kołpakowy <sup>1)</sup>
49	4991632	Rolka zaciskowa pasa komplet
50	4990841	Wał napędowy <sup>1)</sup>
51	4990842	Blacha rewizyjna z podporą prawa komplet
52	4990843	Blacha rewizyjna z podporą lewa komplet
53	159137	Klawiatura foliowa (tylko AS 500)
54	158645	Wyłącznik główny (tylko AS 500)
55	157299	Wyłącznik awaryjny odblokowanie obrotowe
56	4990887	Mocowanie kraty świetlnej
57	4990854	Uchwyt mocujący
58	157097	Przedłużenie klawiatury
59	306421	Klawiatura foliowa (tylko BK 150 FUE H)
60	4991158	Maskownica komplet
61	159611	Wyłącznik główny zamykany na klucz (tylko BK 150 FUE H)
62	4990818	Rolka z obręczą
63a	4991415	Uszczelnienie z paska kurtyny komplet <sup>1)</sup>
63b	157333	Uszczelnienie szczotkowe nadproża 6 x 7 <sup>1)</sup>
64a	4991426	Rama uszczelniająca profil – kanał <sup>1)</sup>
64b	157332	Profil aluminiowy uszczelki szczotkowej nadproża <sup>1)</sup>
65	4991427	Rama uszczelniająca profil – klips <sup>1)</sup>
66	4991703	Tuleja dystansowa 10 mm
67	159163	Pierścień nastawny
68	4991839	Anti-deflection roller
69	4991849	Connection angle

1) Podać nr fabryczny

## Tartalomjegyzék

<b>1</b>	<b>Néhány szó ezen utasításhoz.....</b>	<b>19</b>
1.1	Érvényes mellékletek.....	19
1.2	Használt figyelmeztetések.....	19
1.3	Alkalmazott szimbólumok.....	20
1.4	Alkalmazott rövidítések.....	20
<b>2</b>	<b>⚠ Biztonsági utasítások.....</b>	<b>20</b>
2.1	Előírás szerinti alkalmazás.....	20
2.2	A személyzet képzettsége.....	20
2.3	Szabványok és előírások.....	21
2.4	Általános biztonsági utasítások.....	21
2.5	Az üzemeltetés biztonsági utasításai.....	21
2.6	Az üzembe helyezés és a zavarelhárítás biztonsági utasításai.....	21
<b>3</b>	<b>Szerelés.....</b>	<b>21</b>
<b>4</b>	<b>Üzembe helyezés.....</b>	<b>22</b>
4.1	Végállások beállítása.....	22
4.2	Próbaüzem.....	22
<b>5</b>	<b>Üzemeltetés.....</b>	<b>23</b>
5.1	Kioktatott személyek.....	23
5.2	Normál kopás.....	23
5.3	Vész-ki.....	23
<b>6</b>	<b>Ellenőrzés és karbantartás.....</b>	<b>23</b>
6.1	Karbantartási intervallum.....	24
6.2	Kopóalkatrészek.....	24
<b>7</b>	<b>Vezérlés.....</b>	<b>24</b>
<b>8</b>	<b>Zavarok és hibaelhárítás.....</b>	<b>24</b>
<b>9</b>	<b>Tisztítás és ápolás.....</b>	<b>24</b>
<b>10</b>	<b>Bővítés és átépítés.....</b>	<b>24</b>
<b>11</b>	<b>Kiszerelés és megsemmisítés.....</b>	<b>24</b>
<b>12</b>	<b>Alkatrészek.....</b>	<b>25</b>



.....58

Tisztelt Vásárló!

Örömünkre szolgál, hogy cégünk minőségi terméke mellett döntött.

## 1 Néhány szó ezen utasításhoz

Ez az utasítás egy szöveges és egy ábrás részre tagolódik. Az ábrás részt a szöveges rész végén találja.

Az eredeti üzemeltetési utasítás fordítása. Olvassa végig figyelmesen ezt az utasítást: fontos információkat talál benne a termékről. Vegye figyelembe a megjegyzéseket és kövesse a biztonsági- illetve figyelmeztető utasításokat.

Gondosan őrizze meg ezt az utasítást és biztosítsa, hogy bármikor elérhető és olvasható legyen a termék felhasználói számára.

Azon károkért, melyek az üzemeltetési utasítás és a benne foglalt utasítások figyelembe nem vétele, vagy az ipari kapuk nem szokványos használata következtében keletkeznek, a gyártó nem vállal felelősséget.

A szakszerű kezelés és a gondos karbantartás nagymértékben befolyásolja az ipari kapu teljesítményét és rendelkezésre állását. A kezelési hibák és a hiányos karbantartás az egyébként elkerülhető üzembzavarokhoz vezetnek. Megelégedettség, tartós üzembiztonság csak szakszerű használattal és a gondos karbantartással teljesíthető.

Az ügyfélszolgálat szívesen válaszol kérdéseire. Kérdezzen bátran, ha az üzemeltetési utasítás átolvasása után még kérdései lennének.

### 1.1 Érvényes mellékletek

A szállítmány a megrendelt kiegészítőktől függően további utasításokat tartalmaz, pl. a kapu vezérlésének utasítását. Gondosan és teljes egészében olvassa át ezt az utasítást is. Vegye figyelembe a megjegyzéseket, és különösen kövesse az útmutató biztonsági- illetve figyelmeztető utasításait.

### 1.2 Használt figyelmeztetések



Általános figyelmeztető szimbólum jelzi azt a veszélyt, **ami sérüléseket vagy halált okozhat**. A szöveges részben az általános figyelmeztető szimbólum az azt követő figyelmeztetési fokozatok leírásával együtt használatos. Az ábrás részben kiegészítő adat vagy jelölés utal a szöveges részben található magyarázatra.

#### ⚠ VESZÉLY

Olyan veszély jelölése, amely azonnali halált vagy súlyos sérüléseket okoz.

#### ⚠ FIGYELMEZTETÉS

Olyan veszély jelölése, amely halált vagy súlyos sérüléseket okozhat.

#### ⚠ VIGYÁZAT

Olyan veszély jelölése, amely könnyebb vagy közepes mértékű sérülésekhez vezethet.

#### VIGYÁZAT

Olyan veszély jelölése, ami a **termék sérüléséhez** vagy **tönkremeneteléhez** vezethet.

### 1.3 Alkalmazott szimbólumok

	Fontos tudnivalók a személyi és az anyagi károk -elkerülésére
	Figyelmeztetés veszélyes elektromos feszültségre
	A csavarozást húzza meg erősen
	Csavarozás erős meghúzása kézzel
	Opcionális kapu-részegységek
	Fúrás acélba
	Fúrás betonba
	Hulladék eltávolítása
	Ellenőrzés
	Becsípődésveszély
	Elnyíródás veszélye
	Fellökés veszélye
	Magával ragadás veszélye a kapu futásakor
	Zsírozás
	Csavarbiztosítás

	Korrekt elrendezés vagy működtetés
	Nem engedélyezett elrendezés vagy működtetés
	Alkatrészek vagy csomagolóanyag eltávolítása és megsemmisítése
	Lásd a szöveges részt
	Lásd az ábrás részt
	Lásd a vezérlés, ill. a megengedett elektromos kezelőelemek külön szerelési útmutatóját

### 1.4 Alkalmazott rövidítések

EN	Európai normák
OFF	Kész padlószint felső síkja
LDB	Szabad áthajtószélesség
LDH	Szabad áthajtomagasság

## 2 Biztonsági utasítások

Az ipari kapuk szabályszerű és rendeltetésszerű használat mellett üzembiztosak. A szakszerűtlen vagy az előírásoktól eltérő bánásmód veszélyes lehet Önre nézve. Az egyes fejezetekben feltűnő módon hívjuk fel a figyelmet az összes biztonsági utasításra.

### 2.1 Előírás szerinti alkalmazás

Az ipari kapuk az átjáró-nyílások lezárására, a helyiségek biztonságos lezárására, a gépek biztosítására, az energiaköltségek csökkentésére, a helyiség klímájának javítására és az anyagáramlás gyorsítására használhatók.

A rendeltetésszerű használathoz tartozik ezen utasítás figyelembe vétele, és a felügyeleti és karbantartási feltételek betartása is.

Egy más, a fentiekben túlműtató használat nem rendeltetésszerű használatnak minősül. Az ebből következő károkért a gyártó / szállító nem vállal felelősséget. Ennek kockázatát egyedül a felhasználó viseli.

### 2.2 A személyzet képzettsége

Csak szakképzett és feljogosított személynek szabad az ipari kaput telepítenie, beüzemelnie és karbantartania.

Az ipari kapun végzett tevékenységgel megbízott személynek a munka megkezdése előtt ezt az utasítást, különösen a 2. fejezetet, el kell olvasnia.

Határozza meg világosan a használat, a karbantartás és az üzembe helyezés illetékességét, így biztonsági

szemszögből nem keletkezhetnek bizonytalan kompetenciák.

### 2.3 Szabványok és előírások

Mint a kapuszerkezet üzemeltetője vagy tulajdonosa, Ön a felelős a következő előírások (a teljesség igénye nélkül) figyelembevételére és betartására:

#### Európai normák

EN 12445	Kapuk – Gépi működtetésű kapuk használati biztonsága: Vizsgálati eljárások
EN 12453	Kapuk – Gépi működtetésű kapuk használati biztonsága: Követelmények
EN 12604	Kapuk – Mechanikai aspektusok – Követelmények
EN 12978	Kapuk – Védelmi berendezések gépi működtetésű kapukhoz: Követelmények és vizsgálati eljárások
EN 60335-1	Elektromos háztartási készülékek és hasonló célú termékek biztonsága – 1. rész: Általános követelmények
EN 61508	Elektromos / elektronikus / programozható elektronikus rendszerek működési biztonsága

#### VDE-előírások

VDE 0113	Elektromos berendezések elektronikus üzemi eszközökkel
VDE 0700	Elektromos háztartási készülékek és hasonló célú termékek biztonsága

#### Balesetmegelőzési előírások

BGV A3	Elektromos berendezések és üzemi eszközök
ASR A1.7	Munkahelyek műszaki szabályai

### 2.4 Általános biztonsági utasítások

- Vegye figyelembe az általánosan érvényes, törvényileg és egyéb kötelező érvényű szabályozásokban lefektetett környezetvédelmi előírásokat, az országspecifikus előírásokat, valamint a biztonságos és szakszerű munkavégzés vonatkozó szakmai szabályait. Ismertesse meg alaposan a személyzettel ezeket a szabályokat és előírásokat a munkakezdés előtt.
- Ezt az utasítást őrizze állandóan hozzáférhető módon az ipari kapu telepítésének helyszínén.
- A szállító előzetes engedélye nélkül ne végezzen olyan változtatásokat, rá- vagy átépítéseket az ipari kapun, melyek a biztonságot korlátozhatják.
- Ne végezzen változtatásokat a programozható vezérlőrendszer szoftverén.
- Megfelelő figyelmeztető táblával tegye felismerhetővé a tűzoltókészülék telepítési helyét és használatát. Ügyeljen a törvényi tűzjelzési és tűzvédelmi előírásokra.
- Az ipari kapun olyan munkákat, mint a karbantartás, tisztítás és ellenőrzés, csak nyugalmi állapotban végezzen.
- Az elektromos csatlakozásokat csak elektromos szakemberrel végeztesse.

- Mindenféle munkát előtt feszültségmentesítse a berendezést, és biztosítsa azt az illetéktelen visszakapcsolás ellen. Ha létezik, helyezze üzemem kívül a szükségnyitás emelőkarját.

### 2.5 Az üzemeltetés biztonsági utasításai

- Mielőtt a kaput működtetné, győződjön meg arról, hogy nincsenek személyek vagy tárgyak a kapu mozgástartományában.
- A kapu működése közben ne nyúljon a vezetősínbe (tokba) vagy a befutóba.
- Csak akkor működtesse az ipari kaput, ha az biztonságos és működképes állapotban van. Az összes olyan védelmi egységnek és biztonsági berendezésnek, mint az oldható védelmi berendezés és a Vész-Ki egység, szükséges a megléte, és ezeknek működképeseknek kell lenniük.
- Ne változtasson a biztonsági berendezéseken, és ne helyezze azokat üzemem kívül.

### 2.6 Az üzembe helyezés és a zavarelhárítás biztonsági utasításai

- Végezze el a 6. fejezetben leírt ellenőrzési és karbantartási munkákat. Tartsa be a karbantartási intervallumot, és vegye figyelembe az alkatrészek / részegységek cseréjének adatait.
- Az üzembe helyezést és zavarelhárítást csak szakemberrel végeztesse el.
- Csak olyan alkatrészeket használjon, melyek a gyártó lefektetett műszaki követelményeinek megfelelnek. Ez eredeti alkatrészekkel mindig garantálható.
- Az ipari kapun hegesztési, égetési és csiszolási munkákat csak akkor végezzen, ha az kifejezetten engedélyezve van. Lehet, hogy fennáll pl. a tűz- és robbanásveszély! Az ipari kapun és annak környezetében a hegesztési, égetési és csiszolási munkák előtt a robbanásveszély miatt gondoskodjon a por és a gyúlékony anyagok eltávolításáról, valamint a megfelelő szellőztetésről.
- Mielőtt a meghajtást leszerelné, rögzítse a tengelyt a meghajtási oldalon (pl. villástargoncával).

## 3 Szerelés

### VESZÉLY

#### Hálózati feszültség!

A hálózati feszültséggel való érintkezés során fennáll a halálos áramütés veszélye. Ezért okvetlenül vegye figyelembe a következő utasításokat:

- ▶ Az elektromos csatlakozásokat csak elektromos szakemberrel végeztesse.
- ▶ Győződjön meg arról, hogy a helyszíni elektromos installáció megfelel az érvényes védelmi rendelkezéseknek.
- ▶ Figyeljen arra, hogy az elektromos berendezések üzemeltetésére vonatkozó nemzeti előírások betartásra kerüljenek.
- ▶ Az ipari kapu-meghajtás vezérlését látótávolságban szerelje a kaputól.
- ▶ Az elektromos munkákat előtt feszültségmentesítse a berendezést, és biztosítsa azt az illetéktelen visszakapcsolás ellen.



**VIGYÁZAT****Idegenfeszültség**

A vezérlés csatlakozókapcsain megjelenő idegenfeszültség az elektronika tönkremeneteléhez vezet.

- ▶ Ne csatlakoztasson idegenfeszültséget (pl. hálózati feszültséget) a vezérlés csatlakoztató kapcsaira.

**VIGYÁZAT****Húzóerő az elektromos vezetékeken**

Az elektromos vezetékeken megjelenő húzóerő az elektronika tönkremeneteléhez vezet.

- ▶ Soha ne a csatlakozó vezetéknél fogva húzza ki az elektromos egységeket.

**MEGJEGYZÉS:**

Vegye figyelembe az elektromos csatlakozásokhoz és a kiegészítő elektromos működtetőelemek szereléséhez mellékelt további utasításokat is.

**A kapu szereléséhez:**

1. Biztosítsa a szerelés helyszínét.
2. Ellenőrizze a kapu beépítésének feltételeit és az építési méreteket.
3. Ellenőrizze a fogadó szerkezet minőségét és szilárdságát.
4. Válasszon alkalmas rögzítőelemet.
5. Csomagolja ki a kaput, és ellenőrizze annak sérülésmentességét.
6. Speditőrcég általi szállítás esetén: azonnal jelezze az esetleges sérüléseket.
7. Ellenőrizze a szállítmány teljességét.  
A szállítmánynak a következőket kell tartalmaznia:
  - 2 oldalelem
  - 1 Felső rész alsósínnel
  - 1 Láda kisebb elemekkel és a hajtással
  - Motor- és tengelyburkolat (opcionális)
8. Gondoskodjon a csomagolóanyagok megsemmisítéséről.
9. Végezze el a kapu szerelését, az ábrás rész ábrái szerint.

**4 Üzembe helyezés****⚠ FIGYELMEZTETÉS****Hibás kapu**

Hibás kapu személyek sérülését és tárgyak károsodását okozhatja.

- ▶ Csak akkor végezze el a kapu üzembe helyezését, ha az hibamentes állapotban található.

**⚠ FIGYELMEZTETÉS****Kapumozgások**

A kapu mozgása által személyek vagy tárgyak sérülhetnek.

- ▶ Győződjön meg arról, hogy nincsenek személyek vagy tárgyak a kapu mozgástatómányában.
- ▶ Soha ne emeljen meg tárgyakat vagy személyeket a kapuval.
- ▶ A kapu működése közben ne nyúljon a vezetősínbe, a befutóba, a láncba, fogaskerékbe vagy a vezetőgörgőbe.

**4.1 Végállások beállítása**

A kapu végállásai a kapcsolószekrényben állíthatók be.

**MEGJEGYZÉS:**

Kérjük, vegye figyelembe a hajtás és vezérlés beépítési utasítását.

**4.1.1 “KAPU ZÁRVA” végállás****VIGYÁZAT****A Kapu-Zárva végállás túllépése**

A Kapu-Zárva végállás túllépésekor fennáll a veszély, hogy a lezáróprofil megütődhet. Ezáltal a fényrács diódaaktiválása tönkre mehet.

- ▶ Ne lépje túl a Kapu-Zárva végállást.

- ▶ A Kapu-Zárva végállást úgy állítsa be, hogy a záróprofil teljes egészében érintkezzen az aljzattal. A vezetősínek megtámasztásához vagy egyenetlen aljzat esetén végállásnak válassza az oldalelem alsó élének szintjét.

**4.1.2 “KAPU NYITVA” végállás****VIGYÁZAT****A Kapu-Nyitva végállás túllépése**

A Kapu-Nyitva végállás túllépésekor fennáll a veszély, hogy a kapulap kicsúszik a vezetősínből, és megsérül.

- ▶ Ne lépje túl a Kapu-Nyitva végállást.





- ▶ A Kapu-Nyitva végállást úgy állítsa be, hogy a záróprofil alsó élének magassága megfeleljen a kapu rendelési magasságának.

**4.2 Próbauzem**

1. A szerelés végeztével tesztelje a működési biztonságot az átadás-átvételi jegyzőkönyv szerint.
2. Igazolja dátummal és aláírással a sikeres próbát a gépkönyvben.
3. Adja át a teljes kapu-dokumentációt a kapuszerkezet tulajdonosának vagy üzemeltetőjének.



## 5 Üzemeltetés

 <b>FIGYELMEZTETÉS</b>	
  	<p><b>Kapumozgások</b> A kapu mozgása által személyek vagy tárgyak sérülhetnek.</p> <ul style="list-style-type: none"> <li>▶ Győződjön meg arról, hogy nincsenek személyek vagy tárgyak a kapu mozgástartományában.</li> <li>▶ Be- vagy kihajtás előtt győződjön meg arról, hogy a kapu teljesen ki lett-e nyitva. A kapuberendezéseken csak akkor szabad áthaladni vagy átjárni, ha a kapu megállt.</li> <li>▶ Be- vagy kihajtás előtt győződjön meg arról, hogy a szükséges áthajtási magasság rendelkezésre áll-e.</li> <li>▶ Soha ne emeljen meg tárgyakat vagy személyeket a kapuval.</li> <li>▶ A kapu működése közben ne nyúljon a vezetősínbe (tokba) vagy a befutóba.</li> </ul>

<b>VIGYÁZAT</b>
<p><b>Szükségműködtető berendezés</b> A szükségműködtető berendezés gyakori használata annak sérüléséhez vezethet. Ezenkívül a szavatossági felelősség törlésével jár.</p> <ul style="list-style-type: none"> <li>▶ A szükségműködtető berendezést csak áramszünet vagy a javítási munkák idején használja.</li> </ul>

<b>VIGYÁZAT</b>
<p><b>Agresszív szerek, szél és forróság</b> Agresszív szerek, szél és forróság hatására a kapu megsérülhet.</p> <ul style="list-style-type: none"> <li>▶ Óvja a kaput a következő agresszív szerektől:           <ul style="list-style-type: none"> <li>– salétromos kövek és habarcs</li> <li>– cement</li> <li>– gipsz</li> <li>– savak</li> <li>– lúgok</li> <li>– só</li> <li>– agresszív hatású festékanyagok</li> <li>– agresszív hatású tömítőanyagok</li> </ul> </li> <li>▶ Kerülje az 50° C fölötti hőmérsékletet a kapu közelében.</li> </ul>

### 5.1 Kiiktatott személyek

A kaput csak kiiktatott személyek kezelhetik. Egy személy akkor számít kiiktatottnak (EN 12453 szerint), ha a kapu veszélymentes működtetését bemutatták neki, és a kapuszerkezet használatához a tulajdonos engedélyével rendelkezik.


### 5.2 Normál kopás


A gyorskapu szerkezete megfelel a technika mai állásának. Felületi benyomódások és kopások a kapu felépítési módjából adódnak és elkerülhetetlenek.





### 5.3 Vész-ki



- ▶ Vészhelyzetben áramtalanítsa a vezérlést, a főkapcsoló működtetésével, a hálózati dugasz kihúzásával vagy, ha létezik, a piros **Vész-Ki** gomb megnyomásával.

## 6 Ellenőrzés és karbantartás

 <b>FIGYELMEZTETÉS</b>
<p><b>Nem karbantartott kapu</b> Ha a kaput nem rendszeresen ellenőrzik és tartják karban, fennáll a sérülések és károsodások veszélye. Ezenkívül a szavatosság elvesztését vonja maga után.</p> <ul style="list-style-type: none"> <li>▶ Rendszeresen ellenőrizze és tartsa karban a kaput ahogy ebben az utasításban szerepel, vagy bízva meg azzal a gyár szervizét.</li> </ul>

 <b>VESZÉLY</b>
<p><b>Hálózati feszültség!</b> A hálózati feszültséggel való érintkezés során fennáll a halálos áramütés veszélye.</p> <ul style="list-style-type: none"> <li>▶ Az elektromos munkálatok előtt feszültségmentesítse a berendezést, és biztosítsa azt az illetéktelen visszakapcsolás ellen.</li> </ul>

 <b>FIGYELMEZTETÉS</b>	
  	<p><b>Kapumozgások</b> Ha a kaput az ellenőrzési és karbantartási munkák során működtetik, fennáll a sérülések és károsodások veszélye.</p> <ul style="list-style-type: none"> <li>▶ Mindenféle munkálat előtt feszültségmentesítse a berendezést, és biztosítsa azt az illetéktelen visszakapcsolás ellen.</li> <li>▶ Ha létezik, helyezze üzemem kívül a szükségműködtetés emelőkarját / fogantyúját.</li> </ul>

 <b>FIGYELMEZTETÉS</b>	
	<p><b>Leeső alkatrészek</b> A kiserelés során alkatrészek eshetnek le, és ez személyek sérülését vagy tárgyak károsodását okozhatja.</p> <p><b>Burkolat (opcionális)</b> ▶ Rögzítse a burkolatot (pl. egy villástargoncával), mielőtt azt leszerelné.</p> <p><b>Tengely</b> ▶ Rögzítse a tengelyt (pl. egy villástargoncával), mielőtt lehúzná róla a meghajtást.</p>

Csak akkor ellenőrizze és tartsa karban a kaput saját maga, ha Ön szakember (EN 12635 szerinti kompetens személy). Ez azt jelenti, hogy Ön megfelelő képzettséggel, kvalifikált tudással és gyakorlati tapasztalattal rendelkezik ahhoz, hogy az ellenőrzés és a karbantartás biztonságosan és szakszerűen legyen elvégezve.

Vegye figyelembe az összes érvényes munkabiztonsági előírást.

Általánosan ajánlott, hogy az ellenőrzéssel és karbantartással a gyártó szervizét bízva meg.

A gyorskapu csekély karbantartást igényel. Normál üzemeltetési körülmények mellett az összes csapágyazás, a hajtómű is, kenés- és karbantartásmentes.

## 6.1 Karbantartási intervallum

A gépi működtetésű ablakok, ajtók és kapuk irányelve (ASR A1.7) e kapuk ellenőrzését és karbantartását lehetőleg azonos időpontban, évente egy alkalommal írja elő.

A kapumérettől és az évenkénti nyitásciklusok számától függően a következő karbantartási intervallumokat kell betartani:

### Igen nagy nyitásszámnál (> 50000 / év):

Félévenkénti karbantartás a működő elemekre:

- Elektromos meghajtás és fék
- Az összes csavarkötés
- Végállás-kapcsolás / váltás kúszómenetre
- Vezérlés / impulzusadók

### Kevesebb nyitásszám esetén:

Évenkénti karbantartás előírt UVV-ellenőrzéssel (ASR A1.7 szerint).

- ▶ Ellenőrizze az áthajtóút-biztosító berendezések (fényzorompó / fényrács) működőképességét félévente.

## 6.2 Kopóalkatrészek

Az alábbiakban felsorolt, kopóalkatrésznek minősülő egységekre, ha léteznek, az alább megadott maximális (nyitás-zárás) ciklusszámok érvényesek:

Kopóalkatrészek	Ciklusszám	Időintervallum
Meghajtás (60 % üzemhányad [ED])	500 000	2 év
Meghajtás (csőmotor; 60 % üzemhányad [ED])	350 000	2 év
Fék	250 000	2 év
Rádiós crash-kapcsoló eleme	- / -	3 év
Energialánc a vezetékkel	250 000	2 év
Rugók	100 000	2 év
Gurtnik	100 000	2 év
Futógörgők	100 000	2 év
USV akkumulátor	- / -	1,5 év
USV akkumulátor (RW-kapuk)	- / -	1 év
Zsanérok	100 000	2 év
Tömítések / tömítőcsíkok	150 000	2 év
Kapulap (hőszigetelt)	150 000	2 év

## 7 Vezérlés

A vezérlés a megrendelt kapuhoz kerül legyártásra. A mindenkor érvényes kapcsolási rajz és a szoftverleírás a kapcsolószekrényben található.

- ▶ A kapcsolási rajzot és a szoftverleírást fűzze hozzá ezen utasításhoz.

Minden kapcsolószekrénynek van egy száma.

- ▶ Kérdés esetén mindig adja meg ezt a számot.

## 8 Zavarok és hibaelhárítás

Zavarok esetén forduljon a vevőszolgálathoz.

### A meghajtás teljesítménye

A tápfeszültségnek 230 V-nak  $\pm 5\%$  ill. 400 V-nek  $\pm 5\%$  kell lennie. Ennél nagyobb eltérés esetén a meghajtás teljesítményében problémák léphetnek fel.

## 9 Tisztítás és ápolás

Használjon meleg vizet semleges, karcolásmentes tisztítószerrel (háztartási mosogatószer, pH-érték 7).

Tisztításhoz csak puha textilrongyot vagy ablaktisztító bőrt használjon. A port és szennyeződést tiszta vízzel távolítsa el.

## 10 Bővítés és átépítés

### FIGYELMEZTETÉS

#### Nem alkalmas alkatrészek

A nem alkalmas alkatrészek túlterhelhetik a kapuszerkezetet. Ez életveszélyes sérülésekhez vezethet.

- ▶ Kizárólag olyan alkatrészeket használjon, melyeket a gyár jóváhagyott.

A kapuszerkezetet csak a gyártó engedélyével bővítse vagy építse át.

A szavatosság és termékfelelősség megszűnik, ha Ön a helyszínen, a gyárral nem egyeztetett változtatásokat végez a terméken.

## 11 Kiszereles és megsemmisítés

### FIGYELMEZTETÉS



#### Leeső alkatrészek

A kiszereles során alkatrészek eshetnek le, és ez személyek sérülését vagy tárgyak károsodását okozhatja.

#### Burkolat (opcionális)

- ▶ Rögzítse a burkolatot (pl. egy villástargoncával), mielőtt azt leszerelné.

#### Tengely

- ▶ Rögzítse a tengelyt (pl. egy villástargoncával), mielőtt lehúzná róla a meghajtást.

A kapu leszerelését végeztesse szakemberrel (kompetens személy EN 12635 szerint). Ez azt jelenti, hogy rendelkezik megfelelő képzettséggel, minősített tudással és gyakorlattal a biztonságos és korrekt kiszereles elvégzéséhez.

A kiszereles során vegye figyelembe az összes érvényes munkabiztonsági előírást.

#### A kapu kiszereleséhez és megsemmisítéséhez:

1. Nyissa fel a kaput teljesen.
2. Tekerje fel a kaput óvatosan kézikurblival teljesen.
3. Tekerje át a kapulapot többször egy stabil ragasztószalaggal (pl. Packband) úgy, hogy az többé ne tudjon letekeredni.

4. Álljon egy targoncával emelt raklappal ill. alkalmas teherviselő elemmel úgy a kaputengely alá, hogy az felfeküdjön a raklapra ill. a teherviselő elemre.
5. Oldja a csapágyház és a hajtás rögzítését.
6. Emelje le a tengelyt ill. a felsőrészt a meghajtással együtt a konzolokról.

**VIGYÁZAT****A meghajtás lecsúszhat a tengelycsapról**

- ▶ Tartsa a tengelyt ill. a felsőrészt a leemelések során vízszintesen.
7. Szerelje le a vezetősíneket ill. oldalelemeket és a konzolokat.
  8. Szerelje alkatrészeire a kaput, majd gondoskodjon azok szakszerű megsemmisítéséről.

**12 Alkatrészek**

Poz.	Rendelési szám	Megnevezés
1	4990890	Meghajtásoldal <sup>1)</sup>
2	4990896	Csapágyoldal <sup>1)</sup>
3	4990800	Meghajtás-konzol komplett
4a	4990801	Fedél jobbos LDH ≤ 3250
4b	4990802	Fedél felül jobbos LDH > 3250
4c	4990803	Fedél alul jobbos LDH > 3250
5a	4990804	Fedél balos LDH ≤ 3250
5b	4990805	Fedél felül balos LDH > 3250
5c	4990806	Fedél alul balos LDH > 3250
6	4990807	Tengelytámasz
7		Rugó a rugókötegből <sup>1)</sup>
8	4990893	Jobbos rugóköteg komplett <sup>1)</sup>
9	4990894	Balos rugóköteg komplett <sup>1)</sup>
10	4990808	Lánckerék
11	4990809	Jobbos láncfeszítő-kerék komplett
12	4990810	Balos láncfeszítő-kerék komplett
13	4991026	Gurt 25 mm
14	159568	Görgős lánc, erősített
15	159403	ASPFL 208 mélyhornyú golyócsapágy
16	4990812	Jobb oldali kapcsolók vezetékkel
17	4990813	Bal oldali kapcsolók vezetékkel
18	159406	Balos láncellenőrző kapcsoló
19	159405	Jobbos láncellenőrző kapcsoló
20	4990815	Határoló kapcsoló
21	4990816	Jobbos megvezető aluprofil komplett <sup>1)</sup>
22	4990817	Balos megvezető aluprofil komplett <sup>1)</sup>
23		Fényrács <sup>1)</sup>
24	4991153	Tömítés a megvezetőhöz
25	4990750	Meghajtás
26	157686	Fék 11 Nm 103 V DC
27	158171	Szükséglánc-hajtómű
28	157779	Csörlős lánc
29	306407	Lánctag csörlős lánchoz

Poz.	Rendelési szám	Megnevezés
30	4991848	Legfelső panel komplett <sup>1)</sup>
31	4990819	Üvegezett lamella komplett <sup>1)</sup>
32	4990820	PU-panel komplett <sup>1)</sup>
33	4990821	Komplett alsó rész <sup>1)</sup>
34	4990822	U-alakú veret láncsatlakozóval jobbos, komplett
35	4990823	U-alakú veret láncsatlakozóval balos komplett
36	4990824	Láncsatlakozó komplett
37	4990829	Távtartóelem
38	4990830	Fedéltartó kengyel
39	4990831	Fedélrögzítő sarokelem
40	306843	Gumiprofil
41a	4990832	Jobbos spiráltartó komplett LDH ≤ 5000 <sup>1)</sup>
41b	4990875	Jobbos spiráltartó komplett LDH ≤ 5000 <sup>1)</sup>
42a	4990833	Balos spiráltartó komplett LDH ≤ 5000 <sup>1)</sup>
42b	4990876	Balos spiráltartó komplett LDH ≤ 5000 <sup>1)</sup>
43	4990834	Jobbos védőlemez
44	4990835	Balos védőlemez
45	4991214	Fordítógörgő gurt 25 mm rugócsomag komplett
46	4990837	Összefogóelem komplett
47a	4990838	Középszanér fekete komplett
47b	4990797	Középszanér ezüst komplett
48	4990839	Kalaprofil <sup>1)</sup>
49	4991632	Gurt 25 mm szorító-görgő komplett
50	4990841	Meghajtástengely <sup>1)</sup>
51	4990842	Csapágy ellenőrzőlemez jobbos komplett
52	4990843	Csapágy ellenőrzőlemez balos komplett
53	159137	Fólianyomógomb (csak AS 500)
54	158645	Főkapcsoló (csak AS 500)
55	157299	Vész-Ki kapcsoló reteszelt
56	4990887	Fogadóelem fényrácsához
57	4990854	Rögzítőkapocs
58	157097	Tasztatúrahosszbabítás
59	306421	Fólia-nyomógomb (csak BK 150 FUE H)
60	4991158	Burkolat, komplett
61	159611	Zárható főkapcsoló (csak BK 150 FUE H)
62	4990818	Görgő
63a	4991415	Kapulap-tömítés komplett <sup>1)</sup>
63b	157333	Szemöldökkefe 6 × 7 <sup>1)</sup>
64a	4991426	Csatorna tömítőkeret <sup>1)</sup>
64b	157332	Aluprofil szemöldökkeféhez <sup>1)</sup>

<b>Poz.</b>	<b>Rendelési szám</b>	<b>Megnevezés</b>
65	4991427	Szorítóprofil tömítőkerethez <sup>1)</sup>
66	4991703	Távtartó hüvely 10 mm
67	159163	Állítógyűrű
68	4991839	Anti-deflection roller
69	4991849	Connection angle

1) Gyári számot megadni

## Obsah

<b>1</b>	<b>K tomuto návodu .....</b>	<b>27</b>
1.1	Další platné podklady .....	27
1.2	Použité výstražné pokyny .....	27
1.3	Použité symboly .....	28
1.4	Použité zkratky .....	28
<b>2</b>	<b>⚠ Bezpečnostní pokyny .....</b>	<b>28</b>
2.1	Řádné používání .....	28
2.2	Kvalifikace personálu .....	28
2.3	Normy a předpisy .....	29
2.4	Všeobecné bezpečnostní pokyny .....	29
2.5	Bezpečnostní pokyny k provozu .....	29
2.6	Bezpečnostní pokyny k údržbě a odstraňování poruch .....	29
<b>3</b>	<b>Montáž .....</b>	<b>29</b>
<b>4</b>	<b>Uvedení do provozu .....</b>	<b>30</b>
4.1	Nastavení koncových poloh .....	30
4.2	Zkušební provoz .....	30
<b>5</b>	<b>Provoz .....</b>	<b>30</b>
5.1	Poučený personál .....	31
5.2	Normální opotřebení .....	31
5.3	Nouzové vypínání .....	31
<b>6</b>	<b>Testování a údržba .....</b>	<b>31</b>
6.1	Intervaly držby .....	31
6.2	Díly podléhající opotřebení .....	32
<b>7</b>	<b>Řídicí jednotka .....</b>	<b>32</b>
<b>8</b>	<b>Poruchy a odstraňování chyb .....</b>	<b>32</b>
<b>9</b>	<b>Čištění a údržba .....</b>	<b>32</b>
<b>10</b>	<b>Rozšíření a přestavba .....</b>	<b>32</b>
<b>11</b>	<b>Demontáž a likvidace .....</b>	<b>32</b>
<b>12</b>	<b>Náhradní díly .....</b>	<b>33</b>



.....58

Vážená zákaznice, vážený zákazníku,  
těší nás, že jste se rozhodli pro kvalitní výrobek z našeho  
podniku.

## 1 K tomuto návodu

Tento návod je rozdělen na textovou a obrazovou část.  
Obrazovou část najdete za textovou částí.

Překlad originálního návodu k provozu. Přečtěte si pečlivě  
celý tento návod: obsahuje důležité informace o výrobku.  
Dodržujte pokyny v něm obsažené, zejména bezpečnostní  
a výstražné pokyny.

Návod pečlivě uložte a zajistěte, aby byl uživateli výrobku  
kdykoli k dispozici k nahlédnutí.

Výrobce neručí za škody vzniklé v důsledku nedodržení  
návodu k obsluze a jeho pokynů, nebo v důsledku  
neobvyklého použití průmyslových vrat.


Odborná obsluha a pečlivá údržba podstatně ovlivňují  
výkon a použitelnost průmyslových vrat. Chyby v obsluze  
a nesprávná údržba vedou k provozním závadám, kterým  
je možno se vyhnout. Vaše spokojenost a dlouhodobá  
provozní bezpečnost je zajištěna jen při odborné obsluze  
a pečlivé údržbě.

Zákaznický servis rád odpoví na vaše otázky. obraťte se  
na něj, pokud máte po prostudování návodu k obsluze  
ještě další otázky.

### 1.1 Další platné podklady

Dodávka obsahuje v závislosti na objednaném příslušenství  
další návody, např. návod pro řídicí jednotku vrat. Přečtěte  
si tyto návody pečlivě a úplně. Dodržujte pokyny obsažené  
v těchto návodech, zejména bezpečnostní a výstražné  
pokyny.

### 1.2 Použité výstražné pokyny

 Obecný výstražný symbol označuje nebezpečí,  
které může vést ke **zraněním osob** nebo **smrti**. V textové  
části je obecný výstražný symbol používán ve spojení  
s následně popsanými výstražnými stupni. V obrazové  
části odkazuje doplňkový údaj na vysvětlení v textové  
části.

#### NEBEZPEČÍ

Označuje nebezpečí, které bezprostředně vede ke smrti  
nebo těžkému zranění.

#### VÝSTRAHA

Označuje nebezpečí, které může vést ke smrti nebo  
k těžkým zraněním.

#### OPATRNĚ







Označuje nebezpečí, které může vést k lehkým nebo  
středním zraněním.

#### POZOR

Označuje nebezpečí, které může vést k **poškození** nebo  
**zničení výrobku**.

### 1.3 Použité symboly

	Důležité upozornění, jak zabránit zraněním osob nebo věcným škodám
	Výstraha před nebezpečným elektrickým napětím
	Šroubový spoj pevně dotáhnout
	Šroubový spoj ručně dotáhnout
	Volitelné konstrukční díly
	Vrtání do oceli
	Vrtání do betonu
	Odstranění zbytků
	Kontrola (testování)
	Nebezpečí sevření
	Nebezpečí stříhu
	Nebezpečí nárazu
	Nebezpečí vtažení při chodu vrat
	Mazání
	Thread lock

	Správné uspořádání nebo činnost
	Nepřípustné uspořádání nebo činnost
	Odstranění a likvidace konstrukčního dílu nebo obalu
	Viz textová část
	Viz obrazová část
	Viz zvláštní návod k montáži řídicí jednotky, případě přídavných elektrických ovládacích prvků

### 1.4 Použité zkratky

EN	Evropská norma
OFF	Horní hrana hotové podlahy
LDB	Světlá šířka průjezdu
LDH	Světlá výška průjezdu

## 2 Bezpečnostní pokyny

Průmyslová vrata jsou při řádném používání, které je v souladu s určením, provozně bezpečná. Při neodborném zacházení nebo zacházení, které je v rozporu s určením, mohou být nebezpečná. Podrobnosti naleznete v bezpečnostních pokynech v jednotlivých kapitolách.

### 2.1 Řádné používání

Průmyslová vrata se používají pro uzavření průchozích otvorů, bezpečné uzavření místností, zajištění strojů, úspory nákladů na energii, zlepšení klimatu místností a urychlení toku materiálu.

K řádnému používání patří také dodržování tohoto návodu a dodržování podmínek inspekcí a údržby.

Jiné používání překračující toto vymezení není řádným používáním. Za škody, které z takového používání vyplynou, výrobce ani dodavatel neručí. Riziko nese výhradně uživatel.

### 2.2 Kvalifikace personálu

Průmyslová vrata smí instalovat, provozovat a udržívat jen zaučený personál.

Personál pověřený činnostmi na průmyslových vratech si musí na začátku práce přečíst tento návod, zejména kapitolu 2.

Stanovte jasné kompetence pro obsluhu, údržbu a opravy, aby z hlediska bezpečnosti nedocházelo k žádným nejasným kompetencím.



## 2.3 Normy a předpisy

Jako provozovatel nebo majitel vratového zařízení jste odpovědný za dodržování následujících předpisů (bez nároku na úplnost).

### Evropské normy

EN 12445	Bezpečnost používání motoricky ovládaných vrat: testovací metody
EN 12453	Vrata – Bezpečnost při používání motoricky ovládaných vrat – Požadavky
EN 12604	Vrata – Mechanické vlastnosti – Požadavky
EN 12978	Vrata – Bezpečnostní zařízení pro motoricky ovládaná vrata – Požadavky a zkušební metody
EN 60335-1	Bezpečnost elektrických zařízení pro domácí upotřebení a podobné účely / díl 1: Všeobecné požadavky
EN 61508	Funkční bezpečnost elektrických / elektronických / programovatelných elektronických systémů souvisejících s bezpečností

### Předpisy VDE

VDE 0113	Elektrická zařízení s elektronickými provozními prostředky
VDE 0700	Bezpečnost elektrických spotřebičů pro domácnost a podobné účely

### Bezpečnostní předpisy

BGV A3	Elektrická zařízení a provozní prostředky
ASR A1.7	Technická pravidla pro pracoviště

## 2.4 Všeobecné bezpečnostní pokyny

- Dodržujte všeobecně platné, zákonné a jiné závazné předpisy pro ochranu zdraví při práci a ochranu životního prostředí, místní předpisy a uznávaná odborně-technická pravidla pro bezpečnou a odbornou práci. Před začátkem práce zaučte personál v souladu s těmito pravidly a předpisy.
- Uložte tento návod trvale na místě použití průmyslových vrat, tak aby byl připraven k použití.
- Neprovádějte žádné změny, nastavby nebo přestavby průmyslových vrat, které by mohly nepříznivě ovlivnit bezpečnost, bez vyžádání předchozího schválení dodavatele.
- Neprovádějte žádné změny softwaru u programovatelných řídicích systémů.
- Pomocí odpovídajících informačních štítků uveďte údaje o umístění a obsluze hasicích přístrojů. Dodržujte zákonné předpisy pro ohlašování a likvidaci požárů.
- Veškeré práce na průmyslových vratech, jako jsou údržbářské práce, čištění a kontrola, provádějte pouze v době pracovního klidu.
- Elektrické připojení nechte provést pouze odborným elektrotechnikem.
- Při veškerých pracích na elektrickém zařízení vypněte zařízení tak, aby bylo bez napětí, a zajistěte je proti neoprávněnému zapnutí. Páku pro nouzové otevření, pokud existuje, vyřadte z provozu.

## 2.5 Bezpečnostní pokyny k provozu

- Než uvedete vrata do pohybu, zajistěte, aby se v prostoru pohybu vrat nezdržovaly žádné osoby a nenacházely žádné předměty.
- Během provozu vrat nesahejte do vedení nebo do místa náběhu.
- Uvádějte průmyslová vrata do pohybu, jen když jsou v bezpečném funkčním stavu. Všechna ochranná zařízení a zařízení související s bezpečností, jako jsou spustitelná ochranná zařízení a zařízení nouzového vypnutí, musí být nainstalována a ve funkčním stavu.
- Neprovádějte změny na bezpečnostních zařízeních a nevyřazujte je z provozu.

## 2.6 Bezpečnostní pokyny k údržbě a odstraňování poruch

- Provádějte kontrolní a údržbářské činnosti předepsané v kapitole 6. Dodržujte intervaly údržby a dbejte na údaje k výměně dílů / dílčího vybavení.
- Údržbářské a opravářské činnosti nechte provádět jen odborným personálem.
- Používejte jen náhradní díly, které odpovídají výrobcem stanoveným technickým požadavkům. To je vždy zaručeno u originálních náhradních dílů.
- Svařování, pálení a broušení na průmyslových vratech provádějte, jen když je to výslovně dovoleno. Může docházet na př. k nebezpečí požáru nebo exploze! Před svařováním, pálením a broušením vyčistěte průmyslová vrata a jejich okolí kvůli nebezpečí exploze od prachu a hořlavých látek a zajistěte dostatečné větrání.
- Před demontáží pohonu zajistěte hřídel na straně pohonu proti pohybu (např. vysokozdvizným vozíkem).

## 3 Montáž

### NEBEZPEČÍ

#### Síťové napětí!

Při kontaktu se síťovým napětím hrozí nebezpečí smrtelného úrazu elektrickým proudem. Dodržujte proto bezpodmínečně následující pokyny:

- ▶ Elektrické připojení nechte provést pouze odborným elektrotechnikem.
- ▶ Zajistěte, aby elektrická instalace na straně stavby odpovídala platným bezpečnostním a ochranným předpisům.
- ▶ Dbejte na to, aby byly dodržovány národní předpisy pro provoz elektrických zařízení.
- ▶ Řídicí jednotku pohonu průmyslových vrat montujte na dohled od vrat.
- ▶ Před prováděním veškerých prací na elektrickém zařízení vypněte zařízení tak, aby bylo bez napětí, a zajistěte je proti neoprávněnému zapnutí.

### POZOR

#### Externí napětí

Externí napětí na připojovacích svorkách řídicí jednotky vede ke zničení elektroniky.

- ▶ Na připojovací svorky řídicí jednotky nepřipojujte žádné externí napětí (např. síťové napětí).

## POZOR

### Tažné síly působící na elektrická vedení

Tažné síly působící na elektrická vedení vedou ke zničení elektroniky.

- ▶ Nikdy netahejte za spojovací vedení elektrických konstrukčních dílů.

### UPOZORNĚNÍ:

Dodržujte další přiložené návody k instalaci elektrických přívodů a montáži přídavných elektrických ovládacích prvků.

### Montáž vrat:

1. Zajistěte místo instalace.
2. Zkontrolujte podmínky instalace vrat a stavební rozměry.
3. Zkontrolujte kvalitu podkladu z hlediska pevnosti.
4. Zvolte vhodné upevňovací prostředky.
5. Vybalte vrata a zkontrolujte, zda nejsou poškozena.
6. Při dodávce dopravní firmou: Nahlaste ihned případné škody.
7. Zkontrolujte úplnost dodávky.  
Dodávka musí obsahovat:
  - 2 boční díly
  - 1 horní díl s kolejničí
  - 1 krabice s malými díly a pohon
  - Kryt pohonu a hřídele (volitelné)
8. Odstraňte balicí materiál.
9. Provedte montáž vrat, jak ukazuje obrázek.

## 4 Uvedení do provozu

### ⚠ VÝSTRAHA

#### Vadná vrata

V důsledku vadných vrat může dojít ke zranění osob nebo poškození předmětů.

- ▶ Vrata uvádějte do provozu, jen když jsou v bezchybném stavu.

### ⚠ VÝSTRAHA



#### Pohyby vrat

V důsledku pohybů vrat může dojít ke zranění osob nebo poškození předmětů.

- ▶ Zajistěte, aby se během pohybu vrat nenacházely v prostoru zavírání vrat žádné osoby ani předměty.
- ▶ Pomocí vrat nikdy nezvedejte předměty nebo osoby.
- ▶ Během pohybu vrat nesahejte do vedení, místa náběhu, řetězu, ozubeného kola nebo vratné klady.

## 4.1.1 Koncová poloha VRATA ZAVŘENA

### POZOR

#### Překročení koncové polohy VRATA ZAVŘENA

Při překročení koncové polohy *Vrata zavřena* hrozí nebezpečí, že dojde k naražení kontaktního profilu kolejničí. Tím může být narušena deaktivace diod světelné mříže.

- ▶ Nepřekračujte koncovou polohu *vrata zavřena*.

- ▶ Koncovou polohu *vrata zavřena* nastavte tak, aby se uzavírací profil zcela dotýkal podlahy. U vedení podloženého vložkou nebo při nerovné podlaze zvolte jako koncovou polohu úroveň spodní hrany bočního dílu.

## 4.1.2 Koncová poloha VRATA OTEVŘENA

### POZOR

#### Překročení koncové polohy VRATA OTEVŘENA

Při překročení koncové polohy *vrata otevřena* hrozí nebezpečí, že vratový plášť nebo pancíř vypadne z vodičích kolejničí a poškodí se.

- ▶ Nepřekračujte koncovou polohu *vrata otevřena*.

- ▶ Koncovou polohu *vrata otevřena* nastavte tak, aby vzdálenost k spodní hraně uzavíracího profilu odpovídala výšce vrat.

## 4.2 Zkušební provoz

1. Po dokončení montáže otestujte funkčnost podle předávacího / přebíracího protokolu.
2. Úspěšné provedení zkušební chodu potvrďte s datem a podpisem v kontrolním deníku.
3. Předějte veškerou dokumentaci k vratům majiteli nebo provozovateli vratového zařízení.

## 5 Provoz

### ⚠ VÝSTRAHA



#### Pohyby vrat

V důsledku pohybů vrat může dojít ke zranění osob nebo poškození předmětů.

- ▶ Zajistěte, aby se během pohybu vrat nenacházely v prostoru zavírání vrat žádné osoby ani předměty.
- ▶ Před projížděním vraty se ujistěte, že jsou zcela otevřena. Vratovým zařízením se smí projíždět nebo procházet, až když jsou vrata v klidu.
- ▶ Před vjetím nebo vyjetím se ujistěte, zda je dosaženo potřebné výšky průjezdu.
- ▶ Pomocí vrat nikdy nezvedejte předměty nebo osoby.
- ▶ Během provozu vrat nesahejte do vedení nebo do místa náběhu.

## 4.1 Nastavení koncových poloh

Koncové polohy vrat se nastavují na spínací skříně.

### UPOZORNĚNÍ:

Postupujte prosím podle návodu k pohonu a k řídicí jednotce.

<b>POZOR</b>
<p><b>Zařízení nouzové obsluhy</b></p> <p>V důsledku častého používání zařízení nouzové obsluhy se tato zařízení mohou poškodit. Mimo to zanikne záruka na vrata.</p> <ul style="list-style-type: none"> <li>▶ Zařízení nouzové obsluhy používejte jen při výpadku proudu nebo opravářských pracích.</li> </ul>

<b>POZOR</b>
<p><b>Agresivní média, vítr a horko</b></p> <p>Vlivem agresivních médií, větru a horka může dojít k poškození vrat.</p> <ul style="list-style-type: none"> <li>▶ Chraňte vrata před agresivními médii:             <ul style="list-style-type: none"> <li>– dusíkaté sloučeniny z cihel nebo malty</li> <li>– cement</li> <li>– sádra</li> <li>– kyseliny</li> <li>– louhy</li> <li>– rozstříkovaná sůl</li> <li>– agresivně působící nátěrové látky</li> <li>– agresivně působící těsnicí materiály</li> </ul> </li> <li>▶ V blízkosti vrat zamezte teplotám nad 50° C.</li> </ul>

### 5.1 Poučení personál

Vrata smějí obsluhovat jen poučené osoby. Osoba je pokládána za poučenou (EN 12453), pokud byla zaučena v bezpečné obsluze vrat a má od majitele svolení k používání vratového zařízení.


### 5.2 Normální opotřebení


Konstrukce rychloběžných vrat odpovídá současnému stavu techniky. Otláčená místa a opotřebení jsou podmíněna konstrukčně a není možno jim zabránit.





### 5.3 Nouzové vypínání



- ▶ V nouzových situacích vypněte řídicí jednotku pomocí hlavního vypínače, vytáhněte síťovou zástrčku nebo použijte tlačítko **Nouzové vypnutí**, pokud existuje.

## 6 Testování a údržba

 <b>VÝSTRAHA</b>
<p><b>Neudržovaná vrata</b></p> <p>Pokud vrata nejsou pravidelně kontrolována a udržována, hrozí nebezpečí zranění a poškození. Mimo to zanikne záruka na vrata.</p> <ul style="list-style-type: none"> <li>▶ Vrata pravidelně kontrolujte a udržujte podle tohoto návodu, nebo pověřte kontrolou a údržbou zákaznický servis výrobce.</li> </ul>

 <b>NEBEZPEČÍ</b>
<p><b>Síťové napětí!</b></p> <p>Při kontaktu se síťovým napětím hrozí nebezpečí smrtelného úrazu elektrickým proudem.</p> <ul style="list-style-type: none"> <li>▶ Před prováděním veškerých prací na elektrickém zařízení vypněte zařízení tak, aby bylo bez napětí, a zajistěte je proti neoprávněnému zapnutí.</li> </ul>

 <b>VÝSTRAHA</b>	
  	<p><b>Pohyby vrat</b></p> <p>Jestliže během kontrolních a údržbářských prací dojde k uvedení vrat do pohybu, hrozí nebezpečí zranění a poškození.</p> <ul style="list-style-type: none"> <li>▶ Při veškerých pracích na elektrickém zařízení vypněte zařízení tak, aby bylo bez napětí, a zajistěte je proti neoprávněnému zapnutí.</li> <li>▶ Páku / rukojeť pro nouzové otevření vyřadte z provozu.</li> </ul>

 <b>VÝSTRAHA</b>	
	<p><b>Padající díly</b></p> <p>Při demontáži mohou padat díly a zranit osoby nebo poškodit předměty.</p> <p><b>Obložení (volitelná položka)</b></p> <ul style="list-style-type: none"> <li>▶ Před demontáží zajistěte obložení proti pohybu (na př. pomocí vysokozdvizného vozíku).</li> </ul> <p><b>Hřidel</b></p> <ul style="list-style-type: none"> <li>▶ Před demontáží pohonu zajistěte hřidel proti pohybu (např. vysokozdvizným vozíkem).</li> </ul>

Kontrolu a údržbu vrat provádějte sami, jen pokud jste odborníci (kompetentní osoba podle EN 12635). To znamená, že máte odpovídající vzdělání, kvalifikované znalosti a praktické zkušenosti pro správné a přesné provedení kontroly a údržby.

Při demontáži dodržujte všechny platné předpisy bezpečnosti práce.

Obecně doporučujeme, abyste kontrolu a údržbu nechávali provádět servisem výrobce.

Rychloběžná vrata jsou nenáročná na údržbu. Všechna ložiska včetně převodovky jsou opatřena trvalou náplní maziva a nevyžadují žádnou údržbu.

### 6.1 Intervalů držby

Podle směrnic pro motoricky ovládaná okna, dveře a vrata (ASR A1.7) je předepsána kontrola a údržba vrat jednou za rok pokud možno ve stejných časových intervalech.

V závislosti na velikosti vrat a ročních provozních cyklech doporučujeme následující intervaly údržby:

**Při velmi vysokém provozním zatížení (> 50000 cyklů za rok):**

Půlroční údržba funkčních prvků:

- Elektrický pohon a brzda
- Všechny šroubové spoje
- Vypínání / přepínání v koncové poloze, plíživá jízda
- Řídicí jednotka / generátor impulsů

**Při nízkém provozním zatížení:**

Roční údržba ve spojení s předepsaným přezkoušením UVV (dle ASR A1.7).

- ▶ Každého půl roku zkontrolujte funkci ochranných zařízení (světelná závora, světelná mříž).

## 6.2 Díly podléhající opotřebení

Pro díly podléhající opotřebení uvedené níže, pokud existují, platí uvedené nejvyšší počty cyklů, popř. zatížení a odtížení, s nimiž je třeba počítat:

Díly podléhající opotřebení	Cykly	Časové období
Pohon (doba zapnutí 60 %)	500 000	2 roky
Pohon (trubkový motor; doba zapnutí 60 %)	350 000	2 roky
Brzda	250 000	2 roky
Spínač FunkCrash, baterie	- / -	3 roky
Energetický řetěz s kabelem	250 000	2 roky
Pružiny	100 000	2 roky
Pásy	100 000	2 roky
Vodící kladky	100 000	2 roky
Baterie nepřerušitelného napájecího zdroje USV	- / -	1,5 roku
Baterie nepřerušitelného napájecího zdroje USV (vrata RW)	- / -	1 rok
Závěsy	100 000	2 roky
Těsnění / těsnicí lišty	150 000	2 roky
Plášť (izolovaný)	150 000	2 roky

## 7 Řídicí jednotka

Řídicí jednotka je vyrobena ve vztahu k zakázce na vrata. Příslušné platné schéma zapojení a popis softwaru jsou přiloženy ve spínací skříni.

- Schéma zapojení a popis softwaru připojte k tomuto návodu.

Každá spínací skříň má číslo.

- Při dotazech toto číslo vždy uvádějte.

## 8 Poruchy a odstraňování chyb

V případě poruchy se obraťte na zákaznický servis.

### Výkon pohonu

Napájecí napětí musí být 230 V ± 5 % popř. 400 V ± 5 %. Při větších odchylkách může docházet k problémům s výkonem pohonu.

## 9 Čištění a údržba

Používejte teplou vodu s neutrálním, neškrábajícím čistícím prostředkem (mycí prostředek pro domácnost, hodnota pH 7).

Při čištění používejte měkké utěrky nebo kůži na okna. Nečistoty a prachové částice opláchněte čistou vodou.

## 10 Rozšíření a přestavba

### ⚠ VÝSTRAHA

#### Nevhodné konstrukční díly

Nevhodné díly mohou přetížít konstrukci vrat. To může vést k životu nebezpečným zraněním.

- Používejte výhradně konstrukční díly schválené výrobcem.

Vratové zařízení nechte rozšiřovat nebo přestavovat jen se svolením výrobce.

Záruka a odpovědnost za výrobek zaniká, pokud provedete konstrukční změny bez svolení výrobce.

## 11 Demontáž a likvidace

### ⚠ VÝSTRAHA



#### Padající díly

Při demontáži mohou padat díly a zranit osoby nebo poškodit předměty.

#### Obložení (volitelná položka)

- Před demontáží zajistěte obložení proti pohybu (na př. pomocí vysokozdvizného vozíku).

#### Hřídel

- Před demontáží pohonu zajistěte hřídel proti pohybu (např. vysokozdvizným vozíkem).

Tato vrata demontujte, jen pokud jste odborník (kompetentní osoba podle EN 12635). To znamená, že máte vhodné vzdělání, kvalifikované znalosti a praktické zkušenosti pro správné a bezpečné provedení demontáže.

Při demontáži dodržujte všechny platné předpisy bezpečnosti práce.

#### Demontáž a likvidace vrat:

1. Vrata kompletně otevřete.
2. Opatrně vrata naviňte nouzovým ručním pohonem.
3. Omotejte plášť vrat, popřípadě pancíř, několikrát pevnou lepicí páskou (například balicí páskou), aby se svinutý vratový plášť nemohl rozmotat.
4. Najedte s vysokozdvizným vozíkem s vhodnou paletou nebo s podpůrnou konstrukcí pod hřídel tak, aby hřídel dolehla na paletu nebo podpůrnou konstrukci.
5. Uvolněte upevnění ložiska a pohonu.
6. Nadzvedněte hřídel, popřípadě horní díl s pohonem z konzol.

#### OPATRNĚ

#### Pohon může spadnout z čepů navijecího hřídele.

- Udržujte hřídel, popřípadě horní díl, při spouštění ve vodorovné poloze.
- 7. Demontujte vodící kolejnice, boční díly a konzoly.
- 8. Rozeberte vrata na jednotlivé díly a odborně je zlikvidujte.

## 12 Náhradní díly

Pol.	Číslo obj.	Označení
1	4990890	Strana pohonu <sup>1)</sup>
2	4990896	Strana ložiska <sup>1)</sup>
3	4990800	Konzola pohonu kompletní
4a	4990801	Víko pravé LDH ≤ 3250 <sup>1)</sup>
4b	4990802	Víko horní pravé LDH > 3250 <sup>1)</sup>
4c	4990803	Víko dolní pravé LDH > 3250 <sup>1)</sup>
5a	4990804	Víko levé LDH ≤ 3250 <sup>1)</sup>
5b	4990805	Víko horní levé LDH > 3250 <sup>1)</sup>
5c	4990806	Víko dolní levé LDH > 3250 <sup>1)</sup>
6	4990807	Podpěra hřídel
7		Jednotlivá pružina <sup>1)</sup>
8	4990893	Sada pružin pravá kompletní <sup>1)</sup>
9	4990894	Sada pružin levá kompletní <sup>1)</sup>
10	4990808	Řetězové kolo
11	4990809	Napínací kolo řetězu pravé kompletní
12	4990810	Napínací kolo řetězu levé kompletní
13	4991026	Pás 25 mm
14	159568	Válečkový řetěz zesílený
15	159403	Radiální kuličkové ložisko ASPFL 208
16	4990812	Tlačítko s vodiči pravé
17	4990813	Tlačítko s vodiči levé
18	159406	Tlačítko ke kontrole řetězu levé
19	159405	Tlačítko ke kontrole řetězu pravé
20	4990815	Koncový spínač
21	4990816	Hliníkový profil vedení pravý kompletní <sup>1)</sup>
22	4990817	Hliníkový profil vedení levý kompletní <sup>1)</sup>
23		Světelná mříž <sup>1)</sup>
24	4991153	Těsnění pro vedení
25	4990750	Pohon
26	157686	Brzda 11 Nm 103 V DC
27	158171	Převod nouzového řetězu
28	157779	Navíjecí řetěz
29	306407	Článek řetězu navíjecí řetěz
30	4991848	Nejvrchnější panel kompletní <sup>1)</sup>
31	4990819	Hliníkový profil okna kompletní <sup>1)</sup>
32	4990820	PU panel kompletní <sup>1)</sup>
33	4990821	Spodní díl kompletní <sup>1)</sup>
34	4990822	U-profil s napojením řetězu pravý kompletní
35	4990823	U-profil s napojením řetězu levý kompletní
36	4990824	Napojení řetězu kompletní
37	4990829	Distanční
38	4990830	Třmen víko
39	4990831	Upevňovací úhelník víko
40	306843	Pryžový profil
41a	4990832	Uložení spirály pravé kompletní LDH ≤ 5000 <sup>1)</sup>

Pol.	Číslo obj.	Označení
41b	4990875	Uložení spirály pravé kompletní LDH > 5000 <sup>1)</sup>
42a	4990833	Uložení spirály levé kompletní LDH ≤ 5000 <sup>1)</sup>
42b	4990876	Uložení spirály levé kompletní LDH > 5000 <sup>1)</sup>
43	4990834	Opěrný plech pravý
44	4990835	Opěrný plech levý
45	4991214	Vratná kladka pás sada pružin kompletní
46	4990837	Spojovací článek závěsu kompletní
47a	4990838	Středové kování černé kompletní
47b	4990797	Středové kování stříbrné kompletní
48	4990839	U-profil <sup>1)</sup>
49	4991632	Svěrací kladka pásu kompletní
50	4990841	Hnací hřídel <sup>1)</sup>
51	4990842	Revizní plech s ložiskem pravý kompletní
52	4990843	Revizní plech s ložiskem levý kompletní
53	159137	Fóliová klávesnice (jen AS 500)
54	158645	Hlavní vypínač (jen AS 500)
55	157299	Tlačítko nouzového vypnutí odblokování otáčení
56	4990887	Uložení světelná mříž
57	4990854	Upevňovací svorka
58	157097	Prodloužení klávesnice
59	306421	Fóliová klávesnice (jen BK 150 FUE H)
60	4991158	Zaclonění kompletní
61	159611	Uzamykatelný hlavní vypínač (pouze BK 150 FUE H)
62	4990818	Role s bandáží
63a	4991415	Plášťový oblouk kompletní <sup>1)</sup>
63b	157333	Kartáčové těsnění překlad 6 × 7 <sup>1)</sup>
64a	4991426	Kanál těsnícího rámu <sup>1)</sup>
64b	157332	Hliníkový profil překladový kartáč <sup>1)</sup>
65	4991427	Svorka těsnícího rámu <sup>1)</sup>
66	4991703	Distanční pouzdro 10 mm
67	159163	Stavěcí kroužek
68	4991839	Anti-deflection roller
69	4991849	Connection angle

1) Uvedte č. z.



## Содержание

<b>1</b>	<b>Введение .....</b>	<b>34</b>
1.1	Сопутствующая техническая документация .....	34
1.2	Используемые способы предупреждения об опасности .....	34
1.3	Используемые символы .....	35
1.4	Используемые сокращения .....	35
<b>2</b>	<b> Указания по безопасности .....</b>	<b>35</b>
2.1	Использование по назначению .....	35
2.2	Квалификация персонала .....	36
2.3	Нормативные документы и директивы .....	36
2.4	Общие указания по безопасности .....	36
2.5	Указания по безопасности при эксплуатации .....	36
2.6	Указания по безопасности при проведении мероприятий по техническому уходу и при устранении неисправностей .....	37
<b>3</b>	<b>Монтаж .....</b>	<b>37</b>
<b>4</b>	<b>Ввод в эксплуатацию .....</b>	<b>37</b>
4.1	Регулировка конечных положений .....	38
4.2	Ходовое испытание ворот .....	38
<b>5</b>	<b>Эксплуатация ворот .....</b>	<b>38</b>
5.1	Обученный персонал .....	39
5.2	Естественный износ .....	39
5.3	Аварийное выключение .....	39
<b>6</b>	<b>Проверка и техническое обслуживание .....</b>	<b>39</b>
6.1	Периодичность технического обслуживания .....	40
6.2	Быстроизнашивающиеся детали .....	40
<b>7</b>	<b>Блок управления .....</b>	<b>40</b>
<b>8</b>	<b>Неисправности и их устранение .....</b>	<b>40</b>
<b>9</b>	<b>Очистка и уход .....</b>	<b>40</b>
<b>10</b>	<b>Внесение изменений в конструкцию .....</b>	<b>40</b>
<b>11</b>	<b>Демонтаж и утилизация .....</b>	<b>41</b>
<b>12</b>	<b>Запасные части .....</b>	<b>41</b>
	 .....	<b>58</b>

Уважаемый покупатель!

Мы рады, что Вы приняли решение приобрести качественное изделие нашей компании.

## 1 Введение

Данное руководство состоит из текстовой и иллюстративной частей. Иллюстративная часть находится сразу после текстовой части.

Перевод оригинального руководства по эксплуатации. Внимательно прочитайте данное руководство. В нем содержится важная информация об изделии. Особое внимание обратите на информацию и указания, относящиеся к требованиям по безопасности и способам предупреждения об опасности. Соблюдайте данные указания и требования.

Бережно храните данное руководство и позаботьтесь о том, чтобы пользователь изделия имел свободный доступ к руководству в любое время.

Фирма не отвечает за ущерб, вызванный несоблюдением положений руководства по эксплуатации или необычным использованием промышленных ворот.

Технически правильная эксплуатация и качественное техническое обслуживание в значительной степени определяют надежность и безотказность Ваших промышленных ворот. Ошибки при эксплуатации и некачественное техническое обслуживание вызывают сбои в работе ворот. Безотказная работа и большой срок службы ворот обеспечиваются только при правильном управлении и техническом обслуживании ворот.

Служба эксплуатации фирмы ответит на все Ваши вопросы. Обращайтесь к нам, если после изучения этого руководства у Вас возникнут какие-либо вопросы.

### 1.1 Сопутствующая техническая документация

В зависимости от заказанных принадлежностей в объем поставки входят другие руководства по эксплуатации, например, инструкция для блока управления ворот. Данная документация также должна быть внимательно и полностью прочитана. Особое внимание следует обратить на указания, относящиеся к требованиям по безопасности и способам предупреждения об опасности. Соблюдайте данные указания и требования.

### 1.2 Используемые способы предупреждения об опасности








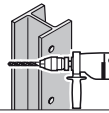






Данный предостерегающий символ обозначает опасность, которая может привести к **травмам** или **смерти**. В текстовой части данный символ используется в сочетании с указываемыми далее степенями опасности. В иллюстративной части дополнительно указывается на наличие разъяснений в текстовой части.


#### ОПАСНО ДЛЯ ЖИЗНИ

Обозначает опасность, которая непременно приведет к смерти или тяжелым травмам.

<b>⚠ ОПАСНО!</b>
Обозначает опасность, которая может привести к смерти или тяжелым травмам.
<b>⚠ ОСТОРОЖНО!</b>
Обозначает опасность, которая может привести к травмам легкой и средней тяжести.
<b>ВНИМАНИЕ</b>
Обозначает опасность, которая может привести к повреждению или поломке изделия.

### 1.3 Используемые символы

	Важное замечание по предотвращению травм и порчи имущества
	Предупреждение об опасном электрическом напряжении
	Крепко затянуть резьбовое соединение
	Затянуть вручную резьбовое соединение
	Оptionные части конструкции
	Сверление стали
	Сверление в бетоне
	Убрать остатки
	Проверить
	Опасность заземления
	Опасность порезов
	Опасность столкновения

	Опасность затягивания при движении ворот
	Смазать
	Средство для фиксации винтов
	Правильное расположение или действие
	Недопустимое расположение или недопустимая деятельность
	Убрать и утилизировать деталь или упаковку
	См. текстовую часть
	См. иллюстративную часть
	См. специальное руководство по монтажу блока управления или дополнительных электрических элементов управления

### 1.4 Используемые сокращения

EN	Европейский стандарт
OFF	Уровень готового пола
LDB	Ширина проезда в свету
LDH	Высота прохода в свету

## 2 ⚠ Указания по безопасности

При надлежащем использовании промышленные ворота отличаются высокой эксплуатационной надежностью. Но при неквалифицированном использовании или использовании не по назначению ворота могут стать источником опасности. Поэтому мы обращаем Ваше внимание на необходимость соблюдения указаний по безопасности, изложенных в отдельных главах.

### 2.1 Использование по назначению

Промышленные ворота используются для закрытия проходов, надежного запираения помещений, обеспечения безопасности машин, экономии энергетических затрат, улучшения климатических условий в помещениях и ускорения транспортных потоков.

К использованию ворот по назначению относится также соблюдение требований данного руководства по эксплуатации и соблюдение условий проведения контрольных работ и работ по техническому обслуживанию.

Какое-либо другое или выходящее за указанные пределы использование ворот является использованием не по назначению. Изготовитель или поставщик ворот не отвечает за ущерб, возникший в результате такого использования и всю ответственность несет пользователь.

## 2.2 Квалификация персонала

Поручайте работу на воротах только квалифицированному, обученному персоналу.

Персонал, работающий на промышленных воротах, должен до начала работы ознакомиться с руководством по эксплуатации, в особенности с главой 2.

Определите лиц, ответственных за управление воротами, за их техническое обслуживание и за ремонт, для того чтобы благодаря четкому распределению обязанностей гарантировать требуемую безопасность.

## 2.3 Нормативные документы и директивы

Как сторона, эксплуатирующая ворота, или их владелец, Вы отвечаете за соблюдение следующих нормативных документов (список не претендует на полноту).

### Европейские стандарты:

EN 12445	Ворота – Эксплуатационная безопасность ворот с приводом – Методы испытаний
EN 12453	Ворота – Эксплуатационная безопасность ворот с приводом – Требования
EN 12604	Ворот – Механические аспекты – Требования
EN 12978	Ворота – Защитные приспособления для ворот с приводом – Требования и методы испытаний
EN 60335-1	Безопасность электроприборов для эксплуатации в домашних условиях и сходных целей – Часть 1: общие требования
EN 61508	Функциональная безопасность электрических / электронных / программируемых электронных систем, обеспечивающих безопасность

### Стандарты VDE

VDE 0113	Электрические установки с электронным производственным оборудованием
VDE 0700	Безопасность электрических приборов для эксплуатации в домашних условиях и сходных целей

### Правила техники безопасности

BGV A3	Электрические установки и электронное производственное оборудование
ASR A1.7	Технические правила для рабочих мест

## 2.4 Общие указания по безопасности

- Соблюдайте общие требования в отношении правил техники безопасности и охраны окружающей среды и придерживайтесь положений, оговоренных законодательством, включая нормы, директивы и инструкции, действующие в Вашей стране, а также общепризнанные профессиональные требования по вопросам квалификации и охраны труда. До начала работы проинструктируйте персонал в соответствии с данными нормами и требованиями.
- Храните данное руководство в надежном месте в непосредственной близости от ворот.
- Запрещено без разрешения поставщика вносить какие-либо изменения в конструкцию промышленных ворот, а также устанавливать на них какие-либо части, которые могут снизить безопасность ворот!
- Запрещается вносить какие-либо изменения в программу (программное обеспечение) программируемой системы управления!
- Должны быть предусмотрены соответствующие таблички, указывающие места расположения огнетушителей и порядок пользования ими! Необходимо соблюдать законодательные предписания, связанные с пожарной безопасностью.
- Все без исключения работы на промышленных воротах (техническое обслуживание, очистка и контрольные работы) разрешается производить только при неработающих воротах.
- Поручите выполнение работ, связанных с подключением к электросети, квалифицированным электрикам.
- Перед выполнением любых электрических работ отключите ворота от источника питания и обеспечьте защиту от случайного повторного включения. Отключите рычаг аварийного открытия (если имеется).

## 2.5 Указания по безопасности при эксплуатации

- Перед тем как привести ворота в действие, убедитесь в том, что в зоне их движения нет людей или предметов.
- Во время движения ворот не прикасайтесь к направляющей и к подвижным частям конструкции ворот.
- Эксплуатация промышленных ворот разрешена только при наличии и работоспособности всех защитных устройств и устройств, необходимых с точки зрения безопасности, например, съемных защитных устройств, аварийных устройств!
- Запрещается вносить какие-либо изменения в устройства безопасности или приводить их каким-либо способом в неработоспособное состояние.

## 2.6 Указания по безопасности при проведении мероприятий по техническому уходу и при устранении неисправностей

- Выполняйте приведенные в главе 6 предписания по выполнению контрольных работ и технического обслуживания. Соблюдайте периодичность технического обслуживания и все предусмотренные в руководстве по эксплуатации мероприятия по замене деталей и частей оснащения.
- Эти работы разрешается выполнять только рабочим, имеющим соответствующую квалификацию.
- Запасные части должны соответствовать техническим требованиям, утвержденным производителем. Это способны гарантировать только оригинальные запасные части.
- Сварочные, термические и шлифовальные работы на промышленных воротах разрешено выполнять лишь в том случае, когда они однозначно разрешены. Выполнение этих работ связано с опасностью возникновения пожара и взрыва! Перед проведением сварочных, термических и шлифовальных работ необходимо очистить от пыли и горючих материалов промышленные ворота и пространство вокруг них и обеспечить достаточную вентиляцию.
- Перед демонтажом привода зафиксируйте вал на стороне привода (например, с помощью вилочного погрузчика).

## 3 Монтаж

### ОПАСНО ДЛЯ ЖИЗНИ

#### Высокое напряжение!

В случае контакта с электричеством может произойти смертельный электрический удар. Обязательно соблюдайте следующие указания:

- ▶ Поручите выполнение работ, связанных с подключением к электросети, квалифицированным электрикам.
- ▶ Убедитесь в том, что электрический монтаж, произведенный заказчиком, соответствует действующим правилам безопасности.
- ▶ Следите за соблюдением требований инструкций по эксплуатации электротехнических устройств, действующих в Вашей стране.
- ▶ Монтируйте блок управления привода промышленных ворот в пределах видимости ворот.
- ▶ Перед выполнением любых электрических работ отключите ворота от источника питания и обеспечьте защиту от случайного повторного включения.

### ВНИМАНИЕ

#### Внешнее напряжение

Внешнее напряжение на клеммах блока управления ведет к сбоям в работе электроники.

- ▶ Не подключайте внешнее напряжение (например, напряжение сети) к клеммам блока управления.

### ВНИМАНИЕ

#### Натяжение электрических проводов

Натяжение электрических проводов приводит к повреждению электроники.

- ▶ Никогда не тяните за соединительные провода и электрические части.

#### УКАЗАНИЯ:

Соблюдайте требования других прилагаемых инструкций по выполнению электрического подключения и монтажа дополнительных электрических элементов управления.

#### Для выполнения монтажа ворот необходимо сделать следующее:

1. Обезопасьте стройплощадку.
2. Проверьте условия монтажа ворот и строительные размеры.
3. Проверьте прочность грунта основания.
4. Выберите подходящие средства крепления.
5. Извлеките ворота из упаковки и проверьте их на отсутствие повреждений.
6. При поставке ворот транспортным предприятием: немедленно сообщите об обнаруженных неисправностях.
7. Проверьте комплектность поставленного оборудования.  
В объем поставки должны входить:
  - 2 боковые части
  - 1 верхняя часть полотна ворот с замыкающим профилем
  - 1 ящик с мелкими деталями и приводом
  - обшивка вала и привода (опция)
8. Утилизируйте упаковочный материал.
9. Установите ворота, как это показано в иллюстративной части.




## 4 Ввод в эксплуатацию

### ОПАСНО!

#### Неисправные ворота

Неисправные ворота могут привести к травмам людей или к повреждению предметов.

- ▶ Приступайте к эксплуатации ворот только в том случае, когда Вы убедитесь в том, что они находятся в исправном состоянии.

<b>⚠ ОПАСНО!</b>	
  	<p><b>Движение ворот</b> Движение ворот может привести к травмам людей или к повреждению предметов.</p> <ul style="list-style-type: none"> <li>▶ Убедитесь в том, что при приведении ворот в действие в зоне их движения нет людей или предметов.</li> <li>▶ Никогда не поднимайте с помощью ворот людей или какие-либо предметы.</li> <li>▶ Во время движения ворот не прикасайтесь к направляющей, к подвижным частям, к цепи, к звездочке или к направляющим роликам.</li> </ul>

#### 4.1 Регулировка конечных положений

Конечные положения ворот регулируют в распределительном шкафу.

##### УКАЗАНИЯ:

Соблюдайте, пожалуйста, указания руководства для привода и блока управления.

##### 4.1.1 Конечное закрытое положение ворот

<b>ВНИМАНИЕ</b>
<p><b>Движение ворот за пределы конечного закрытого положения</b></p> <p>При движении ворот за пределы конечного положения <i>Ворота Закр.</i>, существует опасность повреждения замыкающего профиля, что может привести к сбою при деактивации диодов световой решетки.</p> <ul style="list-style-type: none"> <li>▶ Ворота не должны выходить за пределы конечного <i>закрытого положения ворот</i>.</li> </ul>

- ▶ Настройте конечное *закрытое положение ворот* таким образом, чтобы замыкающий профиль полностью прилегал к полу. В случае направляющей с изолирующим слоем, или если поверхность пола отличается неровностью, выберите в качестве конечного положения ворот уровень нижней кромки боковой части.

##### 4.1.2 Конечное открытое положение ворот




<b>ВНИМАНИЕ</b>
<p><b>Движение ворот за пределы конечного открытого положения</b></p> <p>При переходе ворот за конечное <i>открытое положение</i> имеется опасность выхода завесы ворот из направляющих шин и повреждения ее.</p> <ul style="list-style-type: none"> <li>▶ Ворота не должны выходить конечного <i>открытого положения ворот</i>.</li> </ul>

- ▶ Настройте конечное *открытое положение ворот* таким образом, чтобы расстояние до нижней кромки замыкающего профиля соответствовало высоте ворот.

#### 4.2 Ходовое испытание ворот

1. После окончания монтажа проверьте функциональную безопасность в соответствии с актом сдачи-приемки.
2. Подтвердите результаты успешного ходового испытания ворот записью в журнале с указанием даты и личной подписью.
3. Передайте всю документацию на ворота их владельцу или стороне, эксплуатирующей ворота.

#### 5 Эксплуатация ворот

<b>⚠ ОПАСНО!</b>	
  	<p><b>Движение ворот</b> Движение ворот может привести к травмам людей или к повреждению предметов.</p> <ul style="list-style-type: none"> <li>▶ Убедитесь в том, что при приведении ворот в действие в зоне их движения нет людей или предметов.</li> <li>▶ Перед тем как въезжать в гараж или выезжать из него удостоверьтесь в том, что ворота полностью открыты. Проезд или проход через ворота должен осуществляться только после того, как произошел полный останов ворот.</li> <li>▶ Прежде чем въезжать или выезжать убедитесь в том, что ворота открыты на достаточную высоту.</li> <li>▶ Никогда не поднимайте с помощью ворот людей или какие-либо предметы.</li> <li>▶ Во время движения ворот не прикасайтесь к направляющей и к подвижным частям конструкции ворот.</li> </ul>

<b>ВНИМАНИЕ</b>
<p><b>Устройства аварийного управления</b></p> <p>Устройства аварийного управления могут быть повреждены из-за слишком частого использования. В этом случае утрачивается право на гарантию.</p> <ul style="list-style-type: none"> <li>▶ Используйте устройства аварийного управления воротами только при исчезновении напряжения в сети или при выполнении ремонтных работ.</li> </ul>



<b>ВНИМАНИЕ</b>
<p><b>Агрессивные средства, ветер и высокие температуры</b></p> <p>Агрессивные средства, ветер и высокие температуры могут стать причиной повреждения ворот.</p> <ul style="list-style-type: none"> <li>▶ Защищайте ворота от действия агрессивных и едких средств, например:                             <ul style="list-style-type: none"> <li>– камней или строительного раствора, вызывающих реакции с азотной кислотой</li> <li>– цемента</li> <li>– гипса</li> <li>– кислот</li> <li>– щелочей</li> <li>– солей, разбрызгиваемой зимой</li> <li>– агрессивных веществ, содержащихся в покрытиях</li> <li>– агрессивных уплотнительных материалов</li> </ul> </li> <li>▶ Вблизи ворот избегайте воздействия температуры свыше 50° С.</li> </ul>

### 5.1 Обученный персонал

Управлять воротами разрешается лишь проинструктированным лицам. Лицо считается проинструктированным (EN 12453), если оно обучено безопасному управлению воротами и имеет разрешение на использование ворот.

### 5.2 Естественный износ

Конструкция скоростных ворот соответствует современному уровню техники. Вмятины и износ обусловлены конструкцией, и поэтому неизбежны.




### 5.3 Аварийное выключение


- ▶ В случае аварийной ситуации приведите блок управления в обесточенное состояние. Для этого можно воспользоваться главным выключателем, вынуть вилку из розетки или нажать на **клавишу аварийного выключения** (если имеется).

## 6 Проверка и техническое обслуживание

<b>ОПАСНО!</b>
<p><b>Ворота без технического обслуживания</b></p> <p>Если ворота не подвергаются регулярному техническому обслуживанию и проверке, существует опасность травматизма и повреждений. В этом случае также утрачивается право на гарантию.</p> <ul style="list-style-type: none"> <li>▶ Проводите регулярный технический осмотр и проверку ворот, как это описано в данном руководстве или поручите выполнение этих мероприятий сервисной службе производителя.</li> </ul>

<b>ОПАСНОСТЬ</b>
<p><b>Высокое напряжение!</b></p> <p>В случае контакта с электричеством может произойти смертельный электрический удар.</p> <ul style="list-style-type: none"> <li>▶ Перед выполнением любых электрических работ отключите ворота от источника питания и обеспечьте защиту от случайного повторного включения.</li> </ul>

<b>ОПАСНО!</b>	
  	<p><b>Движение ворот</b></p> <p>Если во время проведения проверки или технического обслуживания ворота будут приведены в действие, существует опасность травматизма и повреждений.</p> <ul style="list-style-type: none"> <li>▶ Перед выполнением любых электрических работ отключите ворота от источника питания и обеспечьте защиту от случайного повторного включения.</li> <li>▶ Отключите рычаг / ручку аварийного открытия (если имеется).</li> </ul>

<b>ОПАСНО!</b>	
	<p><b>Падение деталей</b></p> <p>В ходе проведения демонтажа незакрепленные детали могут упасть и нанести людям телесные повреждения или повредить предметы.</p> <p><b>Кожух (опция)</b></p> <ul style="list-style-type: none"> <li>▶ Перед тем как демонтировать кожух, зафиксируйте его (например, с помощью вилочного погрузчика).</li> </ul> <p><b>Вал</b></p> <ul style="list-style-type: none"> <li>▶ Перед тем как демонтировать привод, зафиксируйте вал (например, с помощью вилочного погрузчика).</li> </ul>

Осуществляйте самостоятельную проверку и техническое обслуживание ворот только в том случае, если Вы являетесь специалистом (компетентным лицом в соответствии с EN 12635). То есть, если Вы имеете соответствующее образование, необходимые профессиональные знания и практический опыт для правильного и безопасного осуществления проверки и технического обслуживания ворот.

Соблюдайте все действующие правила техники безопасности.

Мы рекомендуем поручить сервисной службе фирмы-производителя выполнение всего комплекса мероприятий по проверке и техническому обслуживанию ворот.

Скоростные ворота не требуют трудоемкого техобслуживания. Все подшипники, в том числе в редукторах, не требуют техобслуживания при нормальных условиях эксплуатации и заполнены смазкой на весь срок службы.

## 6.1 Периодичность технического обслуживания

В соответствии с Директивой ASR A1.7 для снабженных приводом окон, дверей и ворот, предписана проверка и техническое обслуживание ворот один раз в год, по возможности через равные промежутки времени.

В зависимости от размера ворот и интенсивности их эксплуатации (числа срабатываний), мы рекомендуем следующие интервалы технического обслуживания:

### При очень высокой интенсивности эксплуатации (> 50000 срабатываний в год):

проводить раз в полгода техническое обслуживание следующих функциональных элементов:

- электропривод и тормоз
- все резьбовые соединения
- устройство отключения привода в конечных положениях / устройство переключения на медленный режим работы
- блок управления / импульсный датчик

### При меньшей интенсивности использования ворот:

ежегодное техническое обслуживание, совмещенное с предписанным UVV-испытанием (в соответствии с требованием директивы ASR A1.7).

- Раз в полгода проверяйте исправность устройств D (световой барьер / световая решетка).

## 6.2 Быстроизнашивающиеся детали

На нижеперечисленные быстроизнашивающиеся детали распространяется (при их наличии) указанные максимально допустимые циклы или смена нагрузки:

Быстроизнашивающиеся детали	Циклы	Период времени
Привод (продолжительность включения 60 %)	500 000	2 года
Привод (внутривальный привод; продолжительность включения 60 %)	350 000	2 года
Тормоз	250 000	2 года
Батарея выключателя FunkCrash	- / -	3 года
Кабеленесущая цепь с кабелем	250 000	2 года
Пружины	100 000	2 года
Ремни	100 000	2 года
Ходовые ролики	100 000	2 года
Аккумулятор ИБП (USV)	- / -	1,5 года
Аккумулятор ИБП (ворота RW)	- / -	1 год
Шарниры	100 000	2 года
Уплотнения / уплотняющие планки	150 000	2 года
Завеса (с изоляцией)	150 000	2 года

## 7 Блок управления

Блок управления изготавливается индивидуально к каждому воротам с учетом требований заказа. Соответствующая электрическая схема и описание программного обеспечения находятся в распределительном шкафу.

- Приложите к данному руководству схему электрических соединений и описание программного обеспечения.

Каждый распределительный шкаф имеет собственный номер.

- В случае обращения на фирму в связи с блоком управления всегда указывайте данный номер.

## 8 Неисправности и их устранение

В случае неисправностей обращайтесь, пожалуйста, в сервисную службу.

### Мощность привода

Рабочее напряжение должно составлять 230 В ± 5 % или 400 В ± 5 %. В случае более серьезных отклонений могут возникнуть проблемы с мощностью привода.

## 9 Очистка и уход

Используйте теплую воду с нейтральным, неабразивным чистящим средством (бытовым моющим средством, число pH 7).

Используйте при мойке ворот только мягкие тряпки или замшу для окон. Смывайте грязь и частицы пыли чистой водой.

## 10 Внесение изменений в конструкцию

### ОПАСНО!

#### Неподходящие детали



Детали, не имеющие специального разрешения, могут вызвать перегрузку ворот, что может повлечь за собой опасные для жизни травмы людей.

- Используйте исключительно те детали, которые разрешены производителем.

Вносите какие-либо изменения в конструкцию ворот только с разрешения фирмы-изготовителя.

При внесении в конструкцию ворот каких-либо изменений, не согласованных с изготовителем, Вы утрачиваете право на гарантию, а изготовитель не несет никакой ответственности за последствия.

## 11 Демонтаж и утилизация

 <b>ОПАСНО!</b>	
	<p><b>Падение деталей</b> В ходе проведения демонтажа незакрепленные детали могут упасть и нанести людям телесные повреждения или повредить предметы.</p>
	<p><b>Кожух (опция)</b></p> <ul style="list-style-type: none"> <li>▶ Перед тем как демонтировать кожух, зафиксируйте его (например, с помощью вилочного погрузчика).</li> </ul>
	<p><b>Вал</b></p> <ul style="list-style-type: none"> <li>▶ Перед тем как демонтировать привод, зафиксируйте вал (например, с помощью вилочного погрузчика).</li> </ul>

Вы можете демонтировать эти ворота только в том случае, если Вы являетесь квалифицированным специалистом (компетентным лицом в соответствии с EN 12635). То есть, если Вы имеете соответствующее образование, профессиональные знания и практический опыт для правильного и безопасного выполнения демонтажа ворот.

При демонтаже соблюдайте все действующие требования техники безопасности.

### Для того чтобы демонтировать и утилизировать ворота, необходимо сделать следующее:

1. Полностью откройте ворота.
2. Осторожно наматывайте завесу ворот с помощью аварийного ручного привода.
3. Обмотайте панцирь скоростных ворот несколько раз прочной клейкой лентой (например, лентой для упаковки), чтобы панцирь ворот не мог больше размотаться
4. Подгоните погрузчик с подходящим поддоном под вал таким образом, чтобы вал лежал на поддоне.
5. Открутите детали крепления подшипника и привода.
6. Поднимите с консолей вал или верхнюю часть с приводом.

### ОСТОРОЖНО

**Привод может соскользнуть с цапф намоточного вала.**

- ▶ Следите за тем, чтобы при опускании вал и верхняя часть находились в горизонтальном положении.
7. Демонтируйте направляющие шины / боковые части и консоли.
  8. Разберите ворота на части и утилизируйте их в соответствии с действующими требованиями.

## 12 Запасные части

Поз.	№ заказа	Обозначение
1	4990890	Сторона привода <sup>1)</sup>
2	4990896	Сторона подшипника <sup>1)</sup>
3	4990800	Консоль привода в комплекте
4a	4990801	Крышка справа LDH ≤ 3250 <sup>1)</sup>
4b	4990802	Крышка сверху справа LDH > 3250 <sup>1)</sup>
4c	4990803	Крышка снизу справа LDH > 3250 <sup>1)</sup>

Поз.	№ заказа	Обозначение
5a	4990804	Крышка слева LDH ≤ 3250 <sup>1)</sup>
5b	4990805	Крышка сверху слева LDH > 3250 <sup>1)</sup>
5c	4990806	Крышка снизу слева LDH > 3250 <sup>1)</sup>
6	4990807	Опора вала
7		Отдельная пружина <sup>1)</sup>
8	4990893	Пакет пружин справа в комплекте <sup>1)</sup>
9	4990894	Пакет пружин слева в комплекте <sup>1)</sup>
10	4990808	Цепное колесо
11	4990809	Цепное натяжное колесо справа в комплекте
12	4990810	Цепное натяжное колесо слева в комплекте
13	4991026	Ремень 25 мм
14	159568	Роликовая цепь, усиленная
15	159403	Радиальный шарикоподшипник ASPFL 208
16	4990812	Выключатель соединенный проводами справа
17	4990813	Выключатель соединенный проводами слева
18	159406	Выключатель для проверки цепи слева
19	159405	Выключатель для проверки цепи справа
20	4990815	Предельный выключатель
21	4990816	Алюминиевый профиль направляющей справа в комплекте <sup>1)</sup>
22	4990817	Алюминиевый профиль направляющей слева в комплекте <sup>1)</sup>
23		Световая решетка <sup>1)</sup>
24	4991153	Уплотнение для направляюще
25	4990750	Привод
26	157686	Тормоз 11 Нм 103 В DC
27	158171	Механизм цепной ручной аварийной деблокировки
28	157779	Цепь лебедки
29	306407	Звено цепи лебедки
30	4991848	Верхняя панель в комплекте <sup>1)</sup>
31	4990819	Алюминиевый профиль остекления в комплекте <sup>1)</sup>
32	4990820	Панель из полиуретана в комплекте <sup>1)</sup>
33	4990821	Нижний замыкающий профиль в комплекте <sup>1)</sup>
34	4990822	U-образный профиль с присоединением цепи справа в комплекте
35	4990823	U-образный профиль с присоединением цепи слева в комплекте
36	4990824	Присоединение цепи в комплекте
37	4990829	Распорная деталь
38	4990830	Скоба крышка

Поз.	№ заказа	Обозначение
39	4990831	Крепежный уголок крышка
40	306843	Резиновый профиль
41a	4990832	Приемное устройство спирали справа в комплекте LDH ≤ 5000 <sup>1)</sup>
41b	4990875	Приемное устройство спирали справа в комплекте LDH > 5000 <sup>1)</sup>
42a	4990833	Приемное устройство спирали, слева в комплекте LDH ≤ 5000 <sup>1)</sup>
42b	4990876	Приемное устройство спирали слева в комплекте LDH > 5000 <sup>1)</sup>
43	4990834	Опорный лист справа
44	4990835	Опорный лист слева
45	4991214	Направляющий ролик для ремня в пакете пружин в сборе
46	4990837	Шарнирный соединительный элемент в сборе
47a	4990838	Центральный шарнир черный в сборе
47b	4990797	Центральный шарнир серебристый в сборе
48	4990839	Швеллерный профиль <sup>1)</sup>
49	4991632	Зажимный ролик ремня в комплекте
50	4990841	Приводной вал <sup>1)</sup>
51	4990842	Контрольный защитный лист металла с подшипником скольжения справа в комплекте
52	4990843	Контрольный защитный лист металла с подшипником скольжения слева в комплекте
53	159137	Пленочная клавиатура (только AS 500)
54	158645	Главный выключатель (только AS 500)
55	157299	Клавиша аварийного отключения деблокировка путем вращения
56	4990887	Приемное устройство световой решетки
57	4990854	Крепежная скоба
58	157097	Удлинитель клавиатуры
59	306421	Пленочная клавиатура (только BK 150 FUE H)
60	4991158	Облицовка в сборе
61	159611	Запираемый главный выключатель (только BK 150 FUE H)
62	4990818	Ходовой ролик с шиной
63a	4991415	Уплотняющая складка завесы в сборе <sup>1)</sup>
63b	157333	Щеточное уплотнение для перемычки 6 × 7 <sup>1)</sup>
64a	4991426	Уплотняющая рама канал <sup>1)</sup>
64b	157332	Алюминиевый профиль для щеточного уплотнения перемычки <sup>1)</sup>
65	4991427	Уплотняющая рама зажим <sup>1)</sup>
66	4991703	Распорная втулка 10 mm
67	159163	Установочное кольцо

Поз.	№ заказа	Обозначение
68	4991839	Anti-deflection roller
69	4991849	Connection angle

1) Указать № заказа

## Kazalo

<b>1</b>	<b>O navodilih .....</b>	<b>43</b>
1.1	Dodatno veljavna dokumentacija .....	43
1.2	Uporabljeni opozorila .....	43
1.3	Uporabljeni simboli.....	44
1.4	Uporabljene okrajšave.....	44
<b>2</b>	<b>⚠ Varnostna navodila .....</b>	<b>44</b>
2.1	Namensko pravilna uporaba .....	44
2.2	Kvalifikacija montažnega osebja .....	44
2.3	Standardi in predpisi .....	45
2.4	Splošna varnostna navodila .....	45
2.5	Varnostna navodila za delovanje vrat .....	45
2.6	Varnostna navodila za vzdrževanje in odpravo motenj.....	45
<b>3</b>	<b>Montaža.....</b>	<b>45</b>
<b>4</b>	<b>Zagon.....</b>	<b>46</b>
4.1	Nastavitev končnih položajev .....	46
4.2	Poskusno delovanje .....	46
<b>5</b>	<b>Delovanje.....</b>	<b>46</b>
5.1	Poučeno osebje.....	47
5.2	Običajna obraba .....	47
5.3	Izklop v sili .....	47
<b>6</b>	<b>Preizkušanje in servisiranje.....</b>	<b>47</b>
6.1	Intervali servisiranja .....	47
6.2	Obrabni deli .....	48
<b>7</b>	<b>Krmiljenje .....</b>	<b>48</b>
<b>8</b>	<b>Motnje in odprava motenj.....</b>	<b>48</b>
<b>9</b>	<b>Čiščenje in vzdrževanje .....</b>	<b>48</b>
<b>10</b>	<b>Nadgradnja in prenova.....</b>	<b>48</b>
<b>11</b>	<b>Demontaža in odstranitev.....</b>	<b>48</b>
<b>12</b>	<b>Nadomestni deli.....</b>	<b>48</b>



.....58

Spoštovana stranka, veseli nas,  
da ste se odločili za kakovosten izdelek iz našega  
programa.

## 1 O navodilih

Ta navodila so razdeljena na tekstovni in slikovni del.  
Slikovni del se nahaja za tekstovnim delom.

Prevod originalnih navodil za uporabo. Preberite navodila  
skrbno in v celoti: v njih boste našli pomembne informacije  
o proizvodu. Upoštevajte napotke, še posebno varnostna  
navodila in opozorila.

Skrbno hranite navodila in zagotovite, da so vedno na voljo  
in za uporabnika na vidnem mestu.

Za škodo, ki bi nastala zaradi neupoštevanja navodil za  
uporabo kakor njihovih opozoril ali nenamenske uporabe  
industrijskih vrat, proizvajalec ne prevzema odgovornosti.

Strokovno upravljanje in skrbno vzdrževanje v precejšnji  
meri vplivata na storilnost in funkcionalnost vaših  
industrijskih vrat. Napake pri upravljanju in pomanjkljivo  
servisiranje povzročijo motnje v delovanju, ki pa se jim  
lahko izognete. Samo strokovno upravljanje in skrbno  
servisiranje zagotavljata dolgoročno varno delovanje vrat.

Servisna služba bo z veseljem odgovorila na vsa vaša  
vprašanja. Pokličite jo, če boste imeli potem, ko boste  
prebrali ta navodila, še dodatna vprašanja.

### 1.1 Dodatno veljavna dokumentacija

Dobava obsega, glede na naročeno opremo še druga  
navodila, n. pr. navodilo za krmiljenje vrat. Preberite tudi ta  
navodila skrbno in v celoti. Upoštevajte napotke, še  
posebno varnostna navodila in opozorila.

### 1.2 Uporabljeni opozorila



Splošni opozorilni znak opozarja na nevarnost, ki  
lahko povzroči **telesne poškodbe** ali **smrt**. V tekstovnem  
delu se splošni opozorilni znak uporablja v zvezi s spodaj  
opisanimi opozorilnimi stopnjami. V slikovnem delu  
opozarja dodatni podatek na razlage v tekstovnem delu.

#### ⚠ NEVARNOST

Opozarja na nevarnost, ki neposredno povzroči smrt ali  
težke telesne poškodbe.

#### ⚠ OPOZORILO

Opozarja na nevarnost, ki lahko povzroči smrt ali težke  
telesne poškodbe.

#### ⚠ POZOR

Opozarja na nevarnost, ki lahko povzroči lažje ali srednje  
težke telesne poškodbe.







#### POZOR

Opozorilo za nevarnost, ki lahko povzroči **poškodbo** ali  
**uničenje izdelka**.



### 1.3 Uporabljeni simboli

	Pomembno opozorilo za preprečevanje poškodb oseb in stvari.
	Opozorilo pred nevarno električno napetostjo
	Vijačno mesto močno privijte
	Mmočno pritegnite privijačena mesta
	Opcijski konstrukcijski deli
	Vrtanje v jeklo
	Vrtanje v beton
	Odstraniti ostanke
	Vizualno preverjanje
	Nevarnost zmečkanin
	Nevarnost ureznin
	Nevarnost udarca
	Nevarnost potega pri pomiku vrat
	Mazanje z mastjo
	Vijačna varovalka

	Pravilna namestitvev ali delovanje
	Nedovoljena izvedba ali delovanje
	Demontirajte konstrukcijski del ali embalažo in ustrezno odstranite
	Glej tekstovni del
	Glej slikovni del
	Glej posebno navodilo za montažo krmiljena oz. dodatnih električnih elementov upravljanja

### 1.4 Uporabljene okrajšave

EN	Evropski standard
OFF (TLAK)	Zgornji rob končno izdelanih tal
LDB	Svetla širina prehoda
LDH	Svetla višina prehoda

## 2 ⚠ Varnostna navodila

Industrijska vrata so pri pravilni in namensko ustrezni uporabi varna za obratovanje. Pri nestrokovnem ravnanju in nenamenski uporabi se lahko pojavijo nevarnosti. Z vso resnostjo opozarjamo na varnostna navodila v posameznih poglavjih.

### 2.1 Namensko pravilna uporaba

Industrijska vrata se uporabljajo za zapiranje prehodnih odprtin, varno zapiranje prostorov, zavarovanje strojev, zmanjšanje izgube energije, za izboljšanje prostorske klime in pretoka materiala.

Namensko pravilna uporaba pomeni tudi upoštevanje teh navodil kakor tudi pogojev preizkušanja in vzdrževanja.

Vsaka druga uporaba je velja za nenamensko. Za škodo, ki bi izhajala iz nenamenske uporabe, proizvajalec / dobavitelj ne odgovarja. Tveganje nosi izključno uporabnik.

### 2.2 Kvalifikacija montažnega osebja

Industrijska vrata lahko vgradijo, upravljajo in servisirajo samo za to usposobljene in poučene osebe.

Osebe, ki so pooblašene za izvajanje del na industrijskih vratih, morajo pred začetkom del prebrati ta navodila, še posebno poglavje 2.

Določite jasne pristojnosti za upravljanje, vzdrževanje in popravilo industrijskih vrat, da z vidika varnosti ne bi prihajalo do nejasnosti glede kompetenc.

## 2.3 Standardi in predpisi

Kot uporabnik ali lastnik vrat z opremo ste odgovorni, da se upoštevajo in izvajajo v nadaljevanju navedeni predpisi (brez zahtevka do popolnosti oz. celote).

### Evropski standardi

EN 12445	Vrata – Varnost uporabe vrat z motornim pogonom: Postopek preizkušanja
EN 12453	Vrata – Varnost uporabe vrat z motornim pogonom – Zahteve
EN 12604	Vrata – Mehanski vidiki – Zahteve
EN 12978	Vrata – Varnostne naprave za vrata z motornim pogonom: Zahteve in postopek preizkušanja
EN 60335-1	Varnost električnih naprav za hišno uporabo in podobne namene – Del 1: Splošne zahteve
EN 61508	Funkcionalna varnost varnostnih električnih / elektronskih / programskih elektronskih sistemov

### VDE-predpisi

VDE 0113	Električne naprave z elektronsko opremo
VDE 0700	Varnost elektronskih naprav za hišno uporabo in podobne namene

### Predpisi za preprečevanje nesreč

BGV A3	Električne naprave in oprema
ASR A1.7	Tehnična pravila za delovišča

## 2.4 Splošna varnostna navodila

- Upoštevajte splošno veljavne, zakonske in druge obvezujoče pravilnike za preprečevanje nesreč in varstvo okolja, nacionalne predpise kakor tudi priznane strokovno-tehnične smernice za varno in strokovno delo. Poučite osebe v skladu s temi smernicami in predpisi pred začetkom del.
- Hranite navodila vedno na samem mestu uporabe industrijskih vrat tako, da so vedno dosegljiva.
- Ne izvajajte sprememb, nadgradnje ali predelave industrijskih vrat, ki bi lahko vplivale na varnost, ne da bi predhodno pridobili dovoljenje dobavitelja.
- Ne izvajajte sprememb na programsko nastavljenih krmilnih sistemih programske opreme.
- Označite lokacijo in uporabo gasilnikov z ustreznimi opozorilnimi tablami. Upoštevajte zakonsko določene predpise glede javljanja in gašenja požara.
- Vsa dela na industrijskih vratih, kot so vzdrževalna, čistilna in kontrolna dela izvajajte samo, ko je delovanje vrat izključeno.
- Električne priključke naj izvede samo strokovnjak za elektrotehniko.
- Izklopite napravo iz omrežja pred izvajanjem vseh del in jo zavarujte pred neželenim ponovnim vklopom. Izklopite ročko za odpiranje v sili, če obstaja.

## 2.5 Varnostna navodila za delovanje vrat

- Preden aktivirate delovanje vrat preverite, če se v območju gibanja vrat ne nahajajo osebe ali predmeti.
- V času delovanja vrat ne prijemajte za polnilo in ne posegajte v vstopno mesto vrat.
- Uporabljajte industrijska vrata samo, če so varna in funkcionalna. Na razpolago morajo biti vse zaščitne naprave in varnostna oprema, kot so snemljive zaščitne naprave in naprave za izključitev v sili in usposobljene za delovanje.
- Ne spreminjajte varnostnih naprav in jih ne izklopite.

## 2.6 Varnostna navodila za vzdrževanje in odpravo motenj

- Izvajajte v poglavju 6 predpisana dela preizkušanja in vzdrževanja. Upoštevajte časovne intervale vzdrževanja in podatke o zamenjavi delov / delne opreme.
- Vzdrževalna dela in odpravo motenj naj izvajajo samo strokovno usposobljene osebe.
- Uporabite samo rezervne dele, ki ustrezajo tehničnim zahtevam, kot jih določa proizvajalec. To je pri originalnih rezervnih delih vedno zagotovljeno.
- Varjenje, brušenje in dela z ognjem na industrijskih vratih izvajajte samo, če je to izrecno dovoljeno. Obstaja lahko n. pr. nevarnost požara in eksplozije! Zato pred varjenjem, brušenjem in izvajanjem del z ognjem očistite prah in gorljive snovi z industrijskih vrat in v njihovi okolici zaradi nevarnosti eksplozije in poskrbite za zadostno prezračevanje.
- Preden demontirate pogon, pritrдите os na strani motorja (n. pr. s pomočjo viličarja).

## 3 Montaža

### NEVARNOST

#### Omrežna napetost!

V primeru dotika z omrežno napetostjo obstaja nevarnost smrtnega udara s tokom. Zato nujno upoštevajte naslednja opozorila:

- ▶ Električne priključke naj izvede samo strokovnjak za elektrotehniko.
- ▶ Zagotovite, da električna inštalacija na objektu ustreza veljavnim določilom glede zaščite.
- ▶ Poskrbite, da se upoštevajo nacionalni predpisi za delovanje električnih naprav.
- ▶ Montirajte krmiljenje pogona industrijskih vrat samo v vidnem polju vrat.
- ▶ Izklopite napravo iz omrežja pred izvajanjem vseh električnih del in jo zavarujte pred nedovoljenim ponovnim vklopom.

### POZOR

#### Zunanja napetost

Zunanja napetost na priključnih sponkah krmiljenja povzroči uničenje elektronike.

- ▶ Na priključnih sponkah krmiljenja ne priključite zunanje napetosti (n. pr. omrežne napetosti).

**POZOR****Vlečne sile na električnih napeljavah**

Vlečne sile na električnih napeljavah uničijo elektroniko.

- ▶ Nikoli ne vlecite za priključne napeljave električnih sklopov.

**NAVODILO:**

Upoštevajte obsežna priložena navodila za inštalacijo električnih priključkov in montažo dodatnih električnih elementov upravljanja.

**Za montažo vrat:**

1. Zavarujte gradbišče.
2. Preverite pogoje za vgradnjo vrat in gradbene mere.
3. Preverite kakovost tal glede trdnosti.
4. Izberite ustrezna pritrdilna sredstva.
5. Odvijte vrata in jih preverite glede morebitnih poškodb.
6. V primeru dobave preko špedicije: Morebitne poškodbe javite takoj.
7. Preverite popolnost dobave.  
Dobava mora zajemati:
  - 2 stranska dela
  - 1 Zgornji del s spodaj ležečim vodilom
  - 1 zaboj z drobnimi deli in pogonom
  - ohišje pogona in osi (opcijsko)
8. Odstranite embalažo.
9. Montirajte vrata, kot kaže slikovni del.

**4 Zagon****⚠ OPOZORILO****Poškodovana vrata**

Poškodovana vrata lahko poškodujejo osebe ali predmete.

- ▶ Zagon vrat lahko izvedete šele, ko so ta v brezhibnem stanju.

**⚠ OPOZORILO****Premikanje vrat**

Zaradi premikanja vrat lahko pride do poškodb oseb ali predmetov.

- ▶ Zagotovite, da se v času premikanja vrat v območju zapiranja ne nahajajo osebe ali predmeti.
- ▶ Nikoli ne dvigujte predmetov in / ali oseb z vrati.
- ▶ V času premikanja vrat ne posegajte z roko v vodilo, vstopni del za navijanje vrat, verigo, zobnik ali obračalno kolo.

**4.1 Nastavitev končnih položajev**

Končni položaji vrat se nastavijo v stikalni omari.

**NAVODILO:**

Upoštevajte navodila za pogon in krmiljenje.

**4.1.1 Končni položaj zaprtih vrat****POZOR****Prekoračitev končnega položaja zapiranja vrat**

Pri prekoračitvi končnega položaja *Zaprlih vrat* obstaja nevarnost, da se zaključni profil posede. To pa lahko zmoti izključitev diod zaradi svetlobne mreže.

- ▶ Ne prekoračite končnega položaja *zapiranja vrat*.

- ▶ Končni položaj *zaprtih vrat* nastavite tako, da se zaključni profil popolnoma dotika tal. V primeru podloge vodila ali neravnih tal izberite za končni položaj nivo spodnjega roba stranskega dela.

**4.1.2 Končni položaj odprtih vrat****POZOR****Prekoračitev končnega položaja odpiranja vrat**

Pri prekoračitvi končnega položaja *odpiranja vrat* obstaja nevarnost, da vratno krilo oz. kolut vratnega krila zdrсне iz tekalnega vodila in se poškoduje.

- ▶ Ne prekoračite končnega položaja *odpiranja vrat*.

- ▶ Končni položaj *odprtih vrat* nastavite tako, da razdalja do spodnjega roba zaključnega profila ustreza meri višine vrat.

**4.2 Poskusno delovanje**

1. Preverite po zaključku montaže varnost delovanja v skladu s prevzemom / prevzemni zapisnik.
2. Potrdite z datumom in podpisom uspešno opravljeno poskusno delovanje v servisno knjigo.
3. Predajte celotno dokumentacijo lastniku ali uporabniku vrat.

**5 Delovanje****⚠ OPOZORILO****Premikanje vrat**

Zaradi premikanja vrat lahko pride do poškodb oseb ali predmetov.



- ▶ Zagotovite, da se v času premikanja vrat v območju zapiranja ne nahajajo osebe ali predmeti.
- ▶ Prepričajte se pred dovozom ali izvozom, če so vrata v celoti odprta. Skozi vrata se lahko zapeljete ali greste šele, ko se le-ta ustavijo.
- ▶ Preverite pred dovozom ali izvozom, če je zagotovljena potrebna svetla višina prehoda.
- ▶ Nikoli ne dvigujte predmetov in / ali oseb z vrati.
- ▶ V času delovanja vrat ne prijemajte za polnilo in ne posegajte v vstopno mesto vrat.

<b>POZOR</b>
<p><b>Naprave za upravljanje v sili</b></p> <p>Zaradi prepogostne uporabe naprav za upravljanje v sili se lahko te naprave poškodujejo. Razen tega v tem primeru preneha garancija za vrata.</p> <ul style="list-style-type: none"> <li>▶ Uporabite naprave za upravljanje v sili samo v primeru izpada napetosti ali v času popravila.</li> </ul>

<b>POZOR</b>
<p><b>Agresivna sredstva, veter in vročina</b></p> <p>Zaradi agresivnih sredstev, vetra in vročine se lahko vrata poškodujejo.</p> <ul style="list-style-type: none"> <li>▶ Zaščitite vrata pred agresivnimi sredstvi: <ul style="list-style-type: none"> <li>– soliter iz kamna ali malte</li> <li>– cement</li> <li>– mavec</li> <li>– kisline</li> <li>– lugi</li> <li>– sol za posipanje</li> <li>– premazi z agresivnim delovanjem</li> <li>– tesnilni materiali z agresivnim delovanjem</li> </ul> </li> <li>▶ Preprečite, da bi bila temperatura v bližini vrat več kot 50° C.</li> </ul>

### 5.1 Poučeno osebje

Z vrati smejo upravljati samo za to usposobljene osebe. Za poučeno velja oseba (EN 12453), ki je bila seznanjena z varnim upravljanjem vrat in ima dovoljenje lastnika za uporabo vrat.


### 5.2 Običajna obraba


Konstrukcija hitrotekočih vrat ustreza najnovejšim tehničnim znanjem. Odrgnjena mesta in obraba so konstrukcijsko pogojena in zato neizogibna.





### 5.3 Izklop v sili



- ▶ V nujnih primerih izključite krmiljenje iz omrežja tako, da izključite glavno stikalo, izvlečete omrežni vtič ali pritisnete na rdečo tipko **izklop v sili**, če je na razpolago.

## 6 Preizkušanje in servisiranje

 <b>OPOZORILO</b>
<p><b>Neservisirana vrata</b></p> <p>Če vrata niso redno preizkušena in servisirana, obstaja nevarnost telesnih poškodb in poškodb vrat. V tem primeru preneha tudi garancija.</p> <ul style="list-style-type: none"> <li>▶ Vrata redno preizkušajte in vzdržujte v skladu s temi navodili ali pa za to pooblastite servis proizvajalca.</li> </ul>

 <b>NEVARNOST</b>
<p><b>Omrežna napetost!</b></p> <p>V primeru dotika z omrežno napetostjo obstaja nevarnost smrtnega udara s tokom.</p> <ul style="list-style-type: none"> <li>▶ Izklopite napravo iz omrežja pred izvajanjem vseh električnih del in jo zavarujte pred nedovoljenim ponovnim vklopom.</li> </ul>

 <b>OPOZORILO</b>	
    	<p><b>Premikanje vrat</b></p> <p>Če se v času preizkušanja ali servisiranja vrata aktivirajo, obstaja nevarnost telesnih poškodb in poškodb vrat.</p> <ul style="list-style-type: none"> <li>▶ Izklopite napravo iz omrežja pred izvajanjem vseh del in jo zavarujte pred nedovoljenim ponovnim vklopom.</li> <li>▶ Izključite ročico / ročaj za odpiranje v sili, če le-ta obstaja.</li> </ul>

 <b>OPOZORILO</b>	
	<p><b>Padajoči deli</b></p> <p>Pri odstranjevanju vrat lahko posamezni deli padejo na tla in poškodujejo osebe ali predmete.</p> <p><b>Ohišje (opcija)</b></p> <ul style="list-style-type: none"> <li>▶ Pritrdite ohišje (n. pr. z viličarjem), preden ga odstranite.</li> </ul> <p><b>Os</b></p> <ul style="list-style-type: none"> <li>▶ Pritrdite os (n. pr. z viličarjem), preden odstranite pogon.</li> </ul>

Sami preizkušajte in servisirajte vrata samo, če ste strokovnjak (pristojna oseba v skladu z EN 12635). To pomeni, da imate ustrezno izobrazbo, strokovno znanje in praktične izkušnje za pravilno in varno izvedbo preizkušanja in servisiranja.

Upošteвайте vse veljavne predpise o varnosti pri delu.

Načeloma priporočamo, da za preizkušanje in servisiranje pooblastite servis proizvajalca.

Hitrotekoča vrata zahtevajo minimalno vzdrževanje. V običajnih pogojih delovanja vsa ležajna mesta, vključno z reduktorjem, ne potrebujejo servisiranja in so trajno namazana.

### 6.1 Intervali servisiranja

V skladu s Smernicami za okna, notranja in zunanja vrata z motornim pogonom (ASR A1.7) je predpisano, da se preizkušanje in servisiranje vrat izvede enkrat letno, če je možno, v enakem časovnem razmiku.

Glede na velikost vrat in obseg letne obremenitve priporočamo naslednje intervale servisiranja:

#### **Pri zelo visokih obremenitvah (> 50000 na leto):**

Polletno servisiranje funkcionalnih elementov:

- Električni pogon in zavora
- Vsi vijačni spoji
- Izklop končnih položajev / Preklop na počasen pomik
- Krmiljenje / Sprožilci impulzov

#### **Pri minimalnih obremenitvah:**

Letno servisiranje skupaj s predpisanim preizkusom v okviru predpisov o preprečevanju nesreč (UVV) (skladno z ASR A1.7).

- ▶ Preverite delovanje naprav za nadzor prehodov (fotocelico / svetlobna mreža) na pol leta.

## 6.2 Obrabni deli

Za obrabne dele, ki so navedeni v nadaljevanju velja, v kolikor so vgrajeni, navedeno najvišje dovoljeno število ciklov oz. obremenitev:

Obrabni deli	Cikli	Obdobje
pogon (60 % ED)	500 000	2 leti
pogon (motor s cevjo; 60 % ED)	350 000	2 leti
zavora	250 000	2 leti
baterija za naletno stikalo FunkCrash	- / -	3 leta
energetska veriga s kablom	250 000	2 leti
vzmeti	100 000	2 leti
jermena	100 000	2 leti
tekalna kolesca	100 000	2 leti
UPS baterija	- / -	1,5 leta
UPS baterija (RW vrata)	- / -	1 leto
šarnirji	100 000	2 leti
tesnila / tesnilne letve	150 000	2 leti
krilo navojnih vrat (izolirano)	150 000	2 leti

## 7 Krmiljenje

Krmiljenje se izdelava glede na naročilo vrat. Stikalni načrt in opis programske opreme sta shranjena v stikalni omari.

- ▶ Stikalni načrt in opis programske opreme priprnite tem navodilom.

Vsaka stikalna omara ima svojo številko.

- ▶ V primeru vprašanj, vedno navedite to številko.

## 8 Motnje in odprava motenj

V primeru motenj se obrnite na servisno službo.

### Zmogljivost pogona


Obratovalna napetost mora znašati  $230 V \pm 5 \%$  oz.  $400 V \pm 5 \%$ . V primeru večjih odstopanj lahko nastopijo težave z zmogljivostjo pogona.

## 9 Čiščenje in vzdrževanje

Uporabite toplo vodo in nevtralnno čistilno sredstvo, ki ne odrgne površine (gospodinjska pralna sredstva, pH-vrednost 7).

Pri umivanju uporabite samo mehke krpe ali usnjeno krpo za šipe. Delce umazanije in prahu sperite s čisto vodo.



## 10 Nadgradnja in prenova

 <b>OPOZORILO</b>	
<b>Neustrezni sestavni deli</b>	
Neustrezni sestavni deli lahko preobremenijo konstrukcijo. To lahko povzroči življenjsko nevarne poškodbe.	
▶ Uporabite izključno sestavne dele, ki jih dovoljuje proizvajalec.	

Zagotovite, da se nadgradnja ali prenova vrat izvede samo s soglasjem proizvajalca.

Garancija in jamstvo proizvoda prenehata, če izvedete gradbene spremembe brez dovoljenja proizvajalca.

## 11 Demontaža in odstranitev

 <b>OPOZORILO</b>	
	<b>Padajoči deli</b> Pri odstranjevanju vrat lahko padejo deli vrat in poškodujejo osebe ali predmete.
	<b>Ohišje (opcija)</b> ▶ Pritrdite ohišje (n. pr. z viličarjem), preden ga odstranite.
	<b>Os</b> ▶ Pritrdite os (n. pr. z viličarjem), preden odstranite pogon.

Demontirajte vrata samo, če ste strokovnjak (pristojna oseba v skladu s standardom EN 12635). To pomeni, da imate ustrezno izobrazbo, strokovno znanje in praktične izkušnje za pravilno in varno odstranitev vrat.

Upošteвайте pri odstranitvi vrat vse veljavne predpise glede varnosti pri delu.

### Da bi vrata demontirali in odstranili:

1. V celoti odprite vrata.
2. V načinu ročnega upravljanja v sili previdno navijte vrata.
3. Prelepitate vratno krilo oz. kolut z vratnim krilom večkrat s stabilnim lepilnim trakom (n. pr. pakirni trak) tako, da se kolut vrat ne more več odkotaliti.
4. Zapeljite viličar z ustrezno paleto oz. ustreznim nosilnim stojalom pod os tako, da os leži na paleti oz. nosilnem stojalu.
5. Odvijte pritrdilne elemente ležaja in pogona.
6. Dvignite os oz. zgornji del s pogonom s konzol.

### POZOR

#### Pogon lahko zdrsne s čepa navojne osi

- ▶ Pri spuščanju držite os oz. zgornji del vodoravno.
7. Odstranite tekalna vodila oz. stranske dele in konzole.
  8. Razstavite vrata in posamezne dele ter jih strokovno odstranite.

## 12 Nadomestni deli

Poz.	Številka za naročilo	Oznaka
1	4990890	na strani pogona <sup>1)</sup>
2	4990896	na strani ležaja <sup>1)</sup>
3	4990800	konzola pogona komplet
4a	4990801	pokrov desno LDH $\leq 3250$ <sup>1)</sup>
4b	4990802	pokrov zgoraj desno LDH $> 3250$ <sup>1)</sup>
4c	4990803	pokrov spodaj desno LDH $> 3250$ <sup>1)</sup>
5a	4990804	pokrov levo LDH $\leq 3250$ <sup>1)</sup>
5b	4990805	pokrov zgoraj levo LDH $> 3250$ <sup>1)</sup>
5c	4990806	pokrov spodaj levo LDH $> 3250$ <sup>1)</sup>
6	4990807	opora osi



Poz.	Številka za naročilo	Oznaka
7		enojna vzmet <sup>1)</sup>
8	4990893	set vzmeti desno, komplet <sup>1)</sup>
9	4990894	set vzmeti levo, komplet <sup>1)</sup>
10	4990808	verižnik
11	4990809	napenjalno kolo verige desno komplet
12	4990810	napenjalno kolo verige levo komplet
13	4991026	jermen 25 mm
14	159568	valjčna veriga ojačana
15	159403	žlebasti krogljčni ležaj ASPFL 208
16	4990812	ožičeno tipkalo desno
17	4990813	ožičeno tipkalo levo
18	159406	tipkalo za preizkus verige levo
19	159405	tipkalo za preizkus verige desno
20	4990815	mejno tipkalo
21	4990816	vodilo iz alu profila desno komplet <sup>1)</sup>
22	4990817	vodilo iz alu profila levo komplet <sup>1)</sup>
23		svetlobna mreža <sup>1)</sup>
24	4991153	tesnilo za vodilo
25	4990750	pogon
26	157686	zavora 11 Nm 103 V DC
27	158171	verižni pogon za ročno upravljanje v sili
28	157779	vretenasta veriga
29	306407	člen vretenaste verige
30	4991848	zgornji panel komplet <sup>1)</sup>
31	4990819	okno iz alu profila komplet <sup>1)</sup>
32	4990820	PU-panel komplet <sup>1)</sup>
33	4990821	spodnji del komplet <sup>1)</sup>
34	4990822	U-profil s privezom verige na desni komplet
35	4990823	U-profil s privezom verige na levi komplet
36	4990824	privez verige komplet
37	4990829	distančnik
38	4990830	lok pokrova
39	4990831	pritrtilni kotnik za pokrov
40	306843	gumijast profil
41a	4990832	prestrezanje spirale desno komplet LDH ≤ 5000 <sup>1)</sup>
41b	4990875	prestrezanje spirale desno komplet LDH > 5000 <sup>1)</sup>
42a	4990833	prestrezanje spirale levo komplet LDH ≤ 5000 <sup>1)</sup>
42b	4990876	prestrezanje spirale levo komplet LDH > 5000 <sup>1)</sup>
43	4990834	oporna pločevina desno
44	4990835	oporna pločevina levo
45	4991214	obračalno kolesce za jermen set vzmeti komplet
46	4990837	spojnik za šarnirje

Poz.	Številka za naročilo	Oznaka
47a	4990838	sredinski šarnir črne barve komplet
47b	4990797	sredinski šarnir srebrne barve komplet
48	4990839	U-profil <sup>1)</sup>
49	4991632	privojni kolut za jermen komplet
50	4990841	pogonska os <sup>1)</sup>
51	4990842	revizijska pločevina z ležajem desno komplet
52	4990843	revizijska pločevina z ležajem levo komplet
53	159137	tastatura s folijo (samo AS 500)
54	158645	glavno stikalo (samo AS 500)
55	157299	tipkalo za vrtljivo odpahnitev za izključitev v sili
56	4990887	zaznavanje svetlobne mreže
57	4990854	pritrtilna sponka
58	157097	podaljšanje tastature
59	306421	tastatura s folijo (samo BK 150 FUE H)
60	4991158	obloga komplet
61	159611	glavno stikalo z možnostjo zaklepanja (samo BK 150 FUE H)
62	4990818	kolesce z objemko
63a	4991415	tesnilo navojnih vrat komplet <sup>1)</sup>
63b	157333	krtačno tesnilo preklada 6 × 7 <sup>1)</sup>
64a	4991426	tesnilni okvir kanal <sup>1)</sup>
64b	157332	alu profil krtačno tesnilo za preklado <sup>1)</sup>
65	4991427	tesnilni okvir spona <sup>1)</sup>
66	4991703	distančna puša 10 mm
67	159163	nastavni obroč
68	4991839	Anti-deflection roller
69	4991849	Connection angle

1) Navesti kom. št.

## Obsah

<b>1</b>	<b>K tomuto návodu .....</b>	<b>50</b>
1.1	Súbežne platné podklady .....	50
1.2	Použitie výstražné pokyny .....	50
1.3	Použitie symboly .....	51
1.4	Použitie skratky .....	51
<b>2</b>	<b>⚠ Bezpečnostné pokyny .....</b>	<b>51</b>
2.1	Určený spôsob použitia .....	51
2.2	Kvalifikácia personálu .....	51
2.3	Normy a predpisy .....	52
2.4	Všeobecné bezpečnostné pokyny .....	52
2.5	Bezpečnostné pokyny k prevádzke .....	52
2.6	Bezpečnostné pokyny pre údržbu a odstraňovanie porúch .....	52
<b>3</b>	<b>Montáž .....</b>	<b>52</b>
<b>4</b>	<b>Uvedenie do prevádzky .....</b>	<b>53</b>
4.1	Nastavenie koncových polôh .....	53
4.2	Skúšobný chod .....	53
<b>5</b>	<b>Prevádzka .....</b>	<b>54</b>
5.1	Poučený personál .....	54
5.2	Normálne opotrebovanie .....	54
5.3	Núdzové vypnutie .....	54
<b>6</b>	<b>Kontrola a údržba .....</b>	<b>54</b>
6.1	Intervaly údržby .....	55
6.2	Opotrebovateľné diely .....	55
<b>7</b>	<b>Ovládanie .....</b>	<b>55</b>
<b>8</b>	<b>Poruchy a odstránenie chýb .....</b>	<b>55</b>
<b>9</b>	<b>Čistenie a starostlivosť .....</b>	<b>55</b>
<b>10</b>	<b>Rozšírenie a prestavba .....</b>	<b>55</b>
<b>11</b>	<b>Demontáž a odstránenie .....</b>	<b>55</b>
<b>12</b>	<b>Náhradné diely .....</b>	<b>56</b>



.....58

Vážená zákazníčka, vážený zákazník,  
teší nás, že ste sa rozhodli pre akostný výrobok z nášho  
závodu.

## 1 K tomuto návodu

Tento návod je rozdelený na textovú a obrazovú časť.  
Obrazovú časť nájdete na záver textovej časti.

Preklad originálneho návodu na použitie. Starostlivo si  
prečítajte kompletný návod: obsahuje dôležité informácie o  
výrobku. Dodržujte upozornenia a predovšetkým  
bezpečnostné a výstražné pokyny.

Návod starostlivo uschovajte a zabezpečte, aby bol  
kedykoľvek k dispozícii a aby doň mohol užívateľ  
výrobku nahliadnuť.

Za škody, ktoré vznikli nedodržaním prevádzkového  
návodu, ako aj jeho pokynov, alebo v dôsledku nie  
bežného používania priemyselnej brány výrobca neručí.

Odborná obsluha a starostlivá údržba ovplyvňujú v  
podstatnej miere výkon a použiteľnosť Vašej priemyselnej  
brány. Chyby pri obsluhu a nedostatočná údržba vedú  
k zbytočným poruchám prevádzky. Uspokojivá, trvalá  
prevádzková bezpečnosť je zaručená len pri odbornej  
obsluhu a starostlivej údržbe.

Zákaznícky servis rád zodpovie Vaše otázky. Kontaktujte  
ho, ak budete mať po prečítaní prevádzkového návodu  
nejaké otázky.

### 1.1 Súbežne platné podklady

Dodávka obsahuje v závislosti od objednaného  
príslušenstva ďalšie návody, napr. návod na ovládanie  
brány. Aj tieto návody pozorne a kompletne prečítajte.  
Dodržujte upozornenia a predovšetkým bezpečnostné a  
výstražné pokyny týchto návodov.

### 1.2 Použitie výstražné pokyny



Všeobecný výstražný symbol označuje  
nebezpečenstvo, ktoré môže viesť k **poraneniám** alebo  
**k smrti**. V textovej časti sa používa všeobecný výstražný  
symbol v spojení s následne popísanými výstražnými  
stupňami. V obrazovej časti odkazuje dodatočný zápis na  
vysvetlenie v textovej časti.

#### ⚠ NEBEZPEČENSTVO

Označuje nebezpečenstvo, ktoré vedie bezprostredne  
k smrti alebo k ťažkým poraneniám.

#### ⚠ VÝSTRAHA

Označuje nebezpečenstvo, ktoré môže viesť k smrti alebo  
k ťažkým poraneniám.

#### ⚠ OPATRNE

Označuje nebezpečenstvo, ktoré môže viesť k ľahkým  
alebo stredne ťažkým poraneniám.

#### POZOR

Označuje nebezpečenstvo, ktoré môže viesť  
k **poškodeniu** alebo **zničeniu výrobku**.

### 1.3 Použité symboly



Dôležité upozornenie na zabránenie zranení osôb alebo vzniku vecných škôd



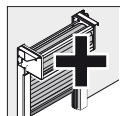
Výstraha pred nebezpečným elektrickým napätím



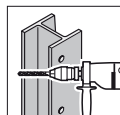
Skrutkový spoj pevne zatiahnuť



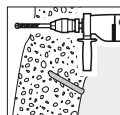
Skrutkový spoj ručne pevne zatiahnuť



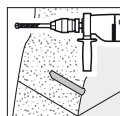
Voliteľné konštrukčné prvky



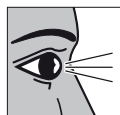
Vrtanie do ocele



Vrtanie do betónu



Vrtanie do muriva



Skontrolovať



Nebezpečenstvo pomliaždenia



Nebezpečenstvo strihania



Nebezpečenstvo nárazu



Nebezpečenstvo vtiahnutia pri chode brány



Namazať



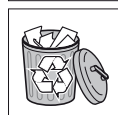
Zaistenie skrutiek



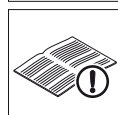
Správne usporiadanie alebo činnosť



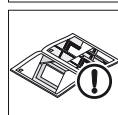
Neprípustné usporiadanie alebo činnosť



Konštrukčný diel alebo obal odstrániť a zlikvidovať



Pozri textovú časť



Pozri obrazovú časť



Pozri osobitný návod na montáž ovládania príp. prídavných elektrických ovládacích prvkov

### 1.4 Použité skratky

EN	Európska norma
OFF	Horná hrana hotovej podlahy
LDB	Svetlá šírka prejazdu
LDH	Svetlá výška prejazdu

## 2 Bezpečnostné pokyny

Prevádzka priemyselných brán je pri správnom používaní na určený účel bezpečná. Pri nesprávnom zaobchádzaní alebo pri zaobchádzaní v rozpore s určením môže byť používanie brán nebezpečné. Dôrazne upozorňujeme na bezpečnostné pokyny v jednotlivých kapitolách.

### 2.1 Určený spôsob použitia

Priemyselné brány sa nasadzujú na zatvorenie prechodových otvorov, na bezpečné uzatvorenie priestorov, zaistenie strojov, úsporu nákladov na energiu, na zlepšenie klímy v miestnosti a na zrýchlenie toku materiálu.

K používaniu podľa určenia patrí aj rešpektovanie prevádzkového návodu a dodržiavanie podmienok inšpekcie a údržby.

Akékoľvek iné použitie alebo použitie nad rámec tohto určenia je považované za použitie v rozpore s určením. Za takto vzniknuté škody výrobca / dodávateľ neručí. Riziko znáša výlučne užívateľ.

### 2.2 Kvalifikácia personálu

Len kvalifikovaný a zaškolený personál môže priemyselnú bránu inštalovať, prevádzkovať a vykonávať jej údržbu.

Personál poverený činnosťou na priemyselnej bráne musí pred začatím prác prečítať tento návod, predovšetkým kapitolu 2.

Stanovte jasné kompetencie pre obsluhu, údržbu a opravu, aby sa vzhľadom na bezpečnosť nevyskytli žiadne nejasné kompetencie.

## 2.3 Normy a predpisy

Ako prevádzkovateľ alebo vlastník bránového systému zodpovedáte za to, že budú rešpektované a dodržané nasledujúce predpisy (bez nároku na úplnosť).

### Európske normy

EN 12445	Brány – Bezpečnosť pri používaní mechanicky ovládaných brán: Skúšobné postupy
EN 12453	Brány – Bezpečnosť pri používaní mechanicky ovládaných brán: Požiadavky
EN 12604	Brány – Mechanické aspekty – Požiadavky
EN 12978	Brány – Ochranné zariadenia pre mechanicky ovládané brány: Požiadavky a skúšobné postupy
EN 60335-1	Bezpečnosť elektronických prístrojov pre domáce použitie a podobné účely – časť 1: Všeobecné požiadavky
EN 61508	Funkčná bezpečnosť elektrických / elektronických / programovateľných elektronických systémov relevantných z hľadiska bezpečnosti

### Predpisy VDE

VDE 0113	Elektrické zariadenia s elektronickými prevádzkovými prostriedkami
VDE 0700	Bezpečnosť elektronických prístrojov pre domáce použitie a podobné účely

### Predpisy na prevenciu nehodovosti

BGV A3	Elektrické zariadenia a prevádzkové prostriedky
ASR A1.7	Technické pravidlá pre pracoviská

## 2.4 Všeobecné bezpečnostné pokyny

- Dodržujte všeobecne platné, zákonné a iné záväzné nariadenia na prevenciu nehodovosti a na ochranu životného prostredia, predpisy špecifické pre danú krajinu, ako aj uznávané odborné technické predpisy pre bezpečnú a odbornú prácu. Pred začatím prác personál zaškolte podľa týchto pravidiel a predpisov.
- Uchovávajte tento návod vždy poruke na mieste nasadenia priemyselnej brány.
- Nevykonávajte na priemyselnej bráne žiadne zmeny, prístavby alebo prestavby, ktoré by mohli negatívne ovplyvniť bezpečnosť, bez predchádzajúceho povolenia dodávateľa.
- Nevykonávajte žiadne zmeny softvéru na programovateľných ovládacích systémoch.
- Stanovište a obsluhu hasiacich prístrojov označte príslušnými upozorňujúcimi štítkami. Dodržujte zákonné predpisy ohľadom ohlasovania a likvidácie požiarov.
- Všetky práce na priemyselnej bráne, ako údržbárske práce, čistenie a kontroly vykonávajte len pri zastavenej prevádzke.
- Elektrické pripojenie môže vykonať len elektrikár.

- Pred všetkými prácami odpojte zariadenie od napätia a zaistíte ho proti neoprávnenému opätovnému zapnutiu. Vyraďte páku pre núdzové otvorenie z prevádzky, ak je nainštalovaná.

## 2.5 Bezpečnostné pokyny k prevádzke

- Pred uvedením brány do chodu zabezpečte, aby sa v oblasti pohybu brány nenachádzali žiadne osoby alebo predmety.
- Počas prevádzky brány nesiahajte do vedenia alebo miesta nájazdu.
- Priemyselnú bránu uvádzajte do chodu len vtedy, keď sa nachádza v bezpečnom a funkčnom stave. Všetky ochranné zariadenia a bezpečnostné zariadenia, ako napr. rozoberateľné ochranné zariadenia a zariadenia pre núdzové vypnutie, musia byť nainštalované a funkčné.
- Bezpečnostné zariadenia nemeňte ani nevyraďujte z prevádzky.

## 2.6 Bezpečnostné pokyny pre údržbu a odstraňovanie porúch

- Vykonávajte kontrolné a údržbové činnosti predpísané v kapitole 6. Dodržujte intervaly údržby a rešpektujte pokyny týkajúce sa výmeny dielov / vybavenia.
- Zabezpečte, aby činnosti týkajúce sa údržby a odstraňovania porúch vykonával výlučne odborný personál.
- Používajte výlučne náhradné diely, ktoré spĺňajú výrobcom stanovené technické požiadavky. To je pri originálnych náhradných dieloch vždy garantované.
- Zváranie, práce s otvoreným plameňom a brúsenie na priemyselnej bráne vykonávajte len vtedy, keď je to výslovne povolené. Môže vzniknúť napr. nebezpečenstvo požiaru a výbuchu! Pred zváraním, prácami s otvoreným ohňom a brúsením vyčistite priemyselnú bránu a jej okolie od prachu a horľavých látok a zabezpečte dostatočné vetranie.
- Pred demontážou pohonu fixujte hriadeľ na strane pohonu (napr. pomocou vysokozdvížneho vozíka).

## 3 Montáž

### NEBEZPEČENSTVO

#### Sieťové napätie!

Pri kontakte so sieťovým napätím hrozí nebezpečenstvo smrteľného zásahu elektrickým prúdom.

Bezpodmienečne preto dodržujte nasledujúce pokyny:

- ▶ Elektrické pripojenie môže vykonať len elektrikár.
- ▶ Zabezpečte, aby elektrická inštalácia zo strany stavebníka zodpovedala platným ochranným ustanoveniam.
- ▶ Dbajte na to, aby boli dodržané národné predpisy pre prevádzku elektrických prístrojov.
- ▶ Ovládanie priemyselnej brány namontujte v dohľade brány.
- ▶ Pred všetkými prácami na elektrickom vybavení odpojte zariadenie od napätia a zaistíte ho proti neoprávnenému opätovnému zapnutiu.

<b>POZOR</b>
<p><b>Rušivé napätie</b></p> <p>Externé napätie na pripojovacích svorkách ovládania vedie k poškodeniu elektroniky.</p> <p>► Nepripájajte žiadne externé napätie (napr. sieťové napätie) na pripojovacie svorky ovládania.</p>

<b>POZOR</b>
<p><b>Ťažné sily na elektrické vedenia</b></p> <p>Ťažné sily na elektrické vedenia vedú k poškodeniu elektroniky.</p> <p>► Neťahajte nikdy za spojovacie vodiče elektrických súčiastok.</p>


**POZNÁMKA:**





Dodržiavajte ďalšie priložené návody pre inštaláciu elektrických pripojov a montáž prídavných elektrických prvkov obsluhy.

**Na montáž brány:**

1. Zaisťte stavenisko.
2. Skontrolujte podmienky pre montáž brány a stavebné rozmery.
3. Skontrolujte kvalitu základov vzhľadom na pevnosť.
4. Zvoľte vhodné upevňovacie prostriedky.
5. Bránu vybaľte a skontrolujte, či nie je poškodená.
6. Pri dodávke prostredníctvom špeditéra: prípadné škody okamžite ohláste.
7. Skontrolujte kompletnosť dodávky.  
Dodávka musí obsahovať:
  - 2 bočné diely
  - 1 Horný diel so spodnou koľajnicou
  - 1 debna s drobnými dielmi a pohonom
  - obloženie pohonu a hriadeľa (voliteľné)
8. Obalový materiál odstráňte.
9. Bránu namontujte podľa vyobrazení v obrazovej časti.

**4 Uvedenie do prevádzky**

 <b>VÝSTRAHA</b>
<p><b>Chybná brána</b></p> <p>V dôsledku chybnaj brány môže dôjsť k zraneniu osôb alebo poškodeniu predmetov.</p> <p>► Bránu uveďte do prevádzky až vtedy, keď sa nachádza v bezchybnom stave.</p>

 <b>VÝSTRAHA</b>	
    	<p><b>Pohyby brány</b></p> <p>V dôsledku pohybov brány môže dôjsť k zraneniu osôb alebo poškodeniu predmetov.</p> <p>► Zabezpečte, aby sa počas prevádzky brány nenachádzali v priestore zatvárania brány žiadne osoby alebo predmety.</p> <p>► Nikdy nezdvíhajte s bránou predmety alebo osoby.</p> <p>► Počas prevádzky brány nesiahajte do vedenia, miesta nájazdu, reťaze, ozubeného kolesa alebo vratnej kladky.</p>

**4.1 Nastavenie koncových polôh**

Koncové polohy brány sa nastavujú na skriňovom rozvádzači.

**POZNÁMKA:**

Dodržiujte pokyny uvedené v návode na obsluhu pohonu a ovládania.

**4.1.1 Koncová poloha Brána zatvorená**

<b>POZOR</b>
<p><b>Prekročenie koncovj polohy Brána zatvorená</b></p> <p>Pri prekročení koncovj polohy <i>Brána zatvorená</i> hrozí nebezpečenstvo, že sa stlačí ukončovací profil. Tým sa môže porušiť deaktivácia diód svetelnej mreže.</p> <p>► Neprekráčajte koncovú polohu <i>Brána zatvorená</i>.</p>

- Nastavte koncovú polohu *Brána zatvorená* tak, aby sa ukončovací profil úplne dotýkal podlahy. Pri spodnej výmurovke vedenia alebo pri nerovnej podlahe zvoľte ako koncovú polohu úroveň dolnej hrany bočného dielu.

**4.1.2 Koncová poloha Brána otvorená**

<b>POZOR</b>
<p><b>Prekročenie koncovj polohy Brána otvorená</b></p> <p>Pri prekročení koncovj polohy <i>Brána otvorená</i> hrozí nebezpečenstvo, že záves brány resp. pancier vykĺzne z vodiacich koľajnic a poškodí sa.</p> <p>► Neprekráčajte koncovú polohu <i>Brána otvorená</i>.</p>





- Nastavte koncovú polohu *Brána otvorená* tak, aby odstup po spodnú hranu ukončovacieho profilu zodpovedal rozmeru výšky brány.

**4.2 Skúšobný chod**

1. Po ukončení montáže skontrolujte funkčnú bezpečnosť podľa preberacieho / odovzdávacieho protokolu.
2. Úspešný skúšobný chod potvrdte v knihe kontrol svojím podpisom a uveďte dátum.
3. Kompletnú dokumentáciu brány odovzdajte vlastníkovi alebo prevádzkovateľovi bránového systému.



## 5 Prevádzka

 <b>VÝSTRAHA</b>	
  	<p><b>Pohyby brány</b> V dôsledku pohybov brány môže dôjsť k zraneniu osôb alebo poškodeniu predmetov.</p> <ul style="list-style-type: none"> <li>▶ Zabezpečte, aby sa počas prevádzky brány nenachádzali v priestore zatvárania brány žiadne osoby alebo predmety.</li> <li>▶ Pred vjazdom alebo výjazdom sa ubezpečte, že sa brána úplne otvorila. Cez zariadenie brány môžete prechádzať až vtedy, keď sa brána úplne zastavila.</li> <li>▶ Pred vjazdom alebo výjazdom sa ubezpečte, či je k dispozícii potrebná výška pre prejazd.</li> <li>▶ Nikdy nezdvíhajte s bránou predmety alebo osoby.</li> <li>▶ Počas prevádzky brány nesiahajte do vedenia alebo miesta nájazdu.</li> </ul>

### POZOR

#### Zariadenia núdzového ovládania

Príliš častým používaním sa môžu zariadenia pre núdzové ovládanie poškodiť. Okrem toho zanikne záruka pre bránu.

- ▶ Zariadenia pre núdzové ovládanie používajte len pri výpadku prúdu alebo pri opravách.

### POZOR

#### Agresívne médiá, vietor a vysoká teplota

Pôsobením agresívnych médií, vetra a vysokej teploty sa môže brána poškodiť.

- ▶ Chráňte bránu pred agresívnymi médiami:
  - liadok z tehál alebo malty
  - cement
  - sadra
  - kyseliny
  - lúhy
  - posypová soľ
  - agresívne pôsobiace náterové látky
  - agresívne pôsobiaci tesniaci materiál
- ▶ Zabráňte teplotám nad 50° C v blízkosti brány.

### 5.1 Poučený personál

Bránu môžu obsluhovať len zaškolené osoby. Osoba sa považuje za zaškolenú (EN 12453), keď bola poučená o bezpečnej obsluhu brány a má od vlastníka povolenie na používanie bránového systému.


### 5.2 Normálne opotrebovanie

Konštrukcia rýchlobežnej brány zodpovedá dnešnému stavu techniky. Miesta otláčenia a oder sú podmienené konštrukčne a preto neodvratné.

### 5.3 Núdzové vypnutie

- ▶ V núdzových situáciách odpojte ovládanie od elektrického prúdu tak, že vypnete hlavný vypínač, vytiahnete zástrčku na sieť alebo, ak je nainštalovaný, stlačíte červené tlačidlo **núdzového vypnutia**.

## 6 Kontrola a údržba





 <b>VÝSTRAHA</b>	
<b>Neudržiavaná brána</b>	
Ak nebude brána pravidelne kontrolovaná a udržiavaná, hrozí nebezpečenstvo zranení a poškodení. Okrem toho zanikne záruka.	
<ul style="list-style-type: none"> <li>▶ Bránu pravidelne kontrolujte a udržiavajte podľa popisu v tomto návode alebo tým poverte servis výrobcu.</li> </ul>	



### NEBEZPEČENSTVO

#### Sieťové napätie!

Pri kontakte so sieťovým napätím hrozí nebezpečenstvo smrteľného zásahu elektrickým prúdom.

- ▶ Pred všetkými prácami na elektrickom vybavení odpojte zariadenie od napätia a zaistite ho proti neoprávnenému opätovnému zapnutiu.

 <b>VÝSTRAHA</b>	
  	<p><b>Pohyby brány</b> Ak bude počas prác spojených s kontrolou alebo údržbou brána aktivovaná, hrozí nebezpečenstvo zranení alebo poškodení.</p> <ul style="list-style-type: none"> <li>▶ Pred všetkými prácami odpojte zariadenie od napätia a zaistite ho proti neoprávnenému opätovnému zapnutiu.</li> <li>▶ Vyradte prípadnú nainštalovanú páku / rukoväť pre núdzový otvor z prevádzky.</li> </ul>

 <b>VÝSTRAHA</b>	
	<p><b>Spadnuté diely</b> Pri demontáži môžu diely spadnúť a zraniť osoby alebo poškodiť predmety.</p> <p><b>Obloženie (voliteľné)</b></p> <ul style="list-style-type: none"> <li>▶ Obloženie fixujte (na pr. pomocou vysoko zdvižného vozíka), skôr ako ho odmontujete.</li> </ul> <p><b>Hriadel'</b></p> <ul style="list-style-type: none"> <li>▶ Hriadel' fixujte (na pr. pomocou vysoko zdvižného vozíka), skôr ako odmontujete pohon.</li> </ul>

Kontrolu a údržbu brány vykonávajte sami len v prípade, ak ste odborne spôsobilou osobou (kompetentná osoba podľa EN 12635). To znamená, že disponujete vhodným vzdelaním, kvalifikovanými vedomosťami a praktickými skúsenosťami pre správne a bezpečné vykonávanie kontrol a údržby.

Dodržujte všetky platné predpisy bezpečnosti práce.

Vo všeobecnosti odporúčame prenechať kontrolu a údržbu servisu výrobcu.

Rýchlobežná brána je nenáročná na údržbu. Všetky ložiskové čapy vrátane prevodovky sú za normálnych prevádzkových podmienok doživotne namazané a bezúdržbové.

## 6.1 Intervaly údržby

Podľa smerníc pre mechanicky ovládané okná, dvere a brány (ASR A1.7) je predpísaná skúška a údržba brány 1-krát ročne pokiaľ možno v rovnakom časovom odstupe.

V závislosti od veľkosti brány a od ročných zaťažovacích cyklov odporúčame nasledujúce intervaly údržby:

### Pri veľmi vysokých zaťažovacích cykloch (> 50000 za rok):

Polročnú údržbu funkčných prvkov:

- Elektrický pohon a brzda
- Všetky skrutkové spojenia
- Vypnutie koncových polôh / prepnutie pomalý chod
- Ovládanie / impulzný snímač

### Pri nízkych zaťažovacích cykloch:

Ročnú údržbu v spojení s predpísanou UVV skúškou (podľa ASR A1.7).

- ▶ Raz za polrok skontrolujte funkciu D zariadení (svetelná závera / svetelné mreže).

## 6.2 Opotrebovateľné diely

Pre následne uvedené opotrebovateľné diely platia, ak sú tieto k dispozícii, uvedené maximálne prijateľné cykly, resp. zmeny záťaže:

Opotrebovateľné diely	Cykly	Časový interval
Pohon (60 % DZ)	500 000	2 roky
Pohon (rúrkový motor; 60 % DZ)	350 000	2 roky
Brzda	250 000	2 roky
Rádiový spínač pri kolízii batéria	- / -	3 roky
Energetický reťazec s káblom	250 000	2 roky
Pružiny	100 000	2 roky
Pásky	100 000	2 roky
Vodiace kladky	100 000	2 roky
Batéria do UPS	- / -	1,5 roka
Batéria do UPS (brány RW)	- / -	1 rok
Závesy	100 000	2 roky
Tesnenia / tesniace lišty	150 000	2 roky
Záves (izolovaný)	150 000	2 roky

## 7 Ovládanie

Ovládanie sa vyrába na každú bránu podľa objednávky. Aktuálne platná schéma zapojenia a popis softvéru sú uložené v skriňovom rozvádzači.

- ▶ Pripojte schému zapojenia a popis softvéru k tomuto návodu.

Každý skriňový rozvádzač má číslo.

- ▶ Toto číslo uvádzajte pri spätných dotazoch.

## 8 Poruchy a odstránenie chýb

V prípade poruchy sa obráťte na zákaznícky servis.

### Výkon pohonu

Prevádzkové napätie musí byť 230 V ± 5 % resp. 400 V ± 5 %. Pri väčších odchýlkach môže dôjsť k problémom s výkonom pohonu.

## 9 Čistenie a starostlivosť

Používajte teplú vodu s neutrálnym, neabrazívnym čistiacim prostriedkom (umývací prostriedok pre domácnosť, hodnota pH 7).

Na čistenie používajte len mäkké handričky alebo kožu na okná. Nečistoty a prachové častice opláchnite čistou vodou.

## 10 Rozšírenie a prestavba

### VÝSTRAHA

#### Nevhodné konštrukčné diely

Nevhodné konštrukčné diely môžu konštrukciu brány preťažiť. To môže viesť k život ohrozujúcim zraneniam.

- ▶ Používajte výlučne konštrukčné diely schválené výrobcu.

Nechajte bránový systém rozšíriť alebo prestavať len s povolením výrobcu.

Záruka a zodpovednosť za chyby výrobku zanikajú, ak vykonáte konštrukčné zmeny bez súhlasu výrobcu.

## 11 Demontáž a odstránenie

### VÝSTRAHA



#### Spadnuté diely

Pri demontáži môžu diely spadnúť a zraniť osoby alebo poškodiť predmety.

#### Obloženie (voliteľné)

- ▶ Obloženie fixujte (na pr. pomocou vysokozdvížneho vozíka), skôr ako ho odmontujete.

#### Hriadeľ

- ▶ Hriadeľ fixujte (na pr. pomocou vysokozdvížneho vozíka), skôr ako odmontujete pohon.

Demontujte túto bránu len ak ste odborník (kompetentná osoba podľa EN 12635). To znamená, že máte vhodné vzdelanie, kvalifikované znalosti a praktické skúsenosti pre správnu a bezpečnú demontáž.

Pri demontáži dodržujte všetky platné predpisy týkajúce sa bezpečnosti práce.

#### Na demontáž a likvidáciu brány:

1. Bránu úplne otvorte.
2. Pomocou ručného núdzového pohonu bránu opatrne naviňte.
3. Omotajte záves resp. pancier viackrát stabilnou lepiacou páskou (na pr. baliacou páskou) tak, aby sa nemohol odrolovať.

4. Prejdite s vysokozdvížným vozíkom s vhodnou paletou resp. vhodným podstavcom pod hriadeľ tak, aby hriadeľ ležal na palete resp. na podstavci.
5. Uvoľnite upevnenie ložiska a pohonu.
6. Zdvihnite hriadeľ resp. horný diel s pohonom z konzol.

**OPATRNE**

**Pohon môže z čapov navíjacieho hriadeľa skĺznuť.**

- ▶ Držte hriadeľ resp. horný diel pri spúšťaní vo vodorovnej polohe.
7. Odmontujte vodiace koľajnice resp. bočné diely a konzoly.
  8. Rozoberte bránu na jednotlivé súčiastky a odborne ich zlikvidujte.

## 12 Náhradné diely

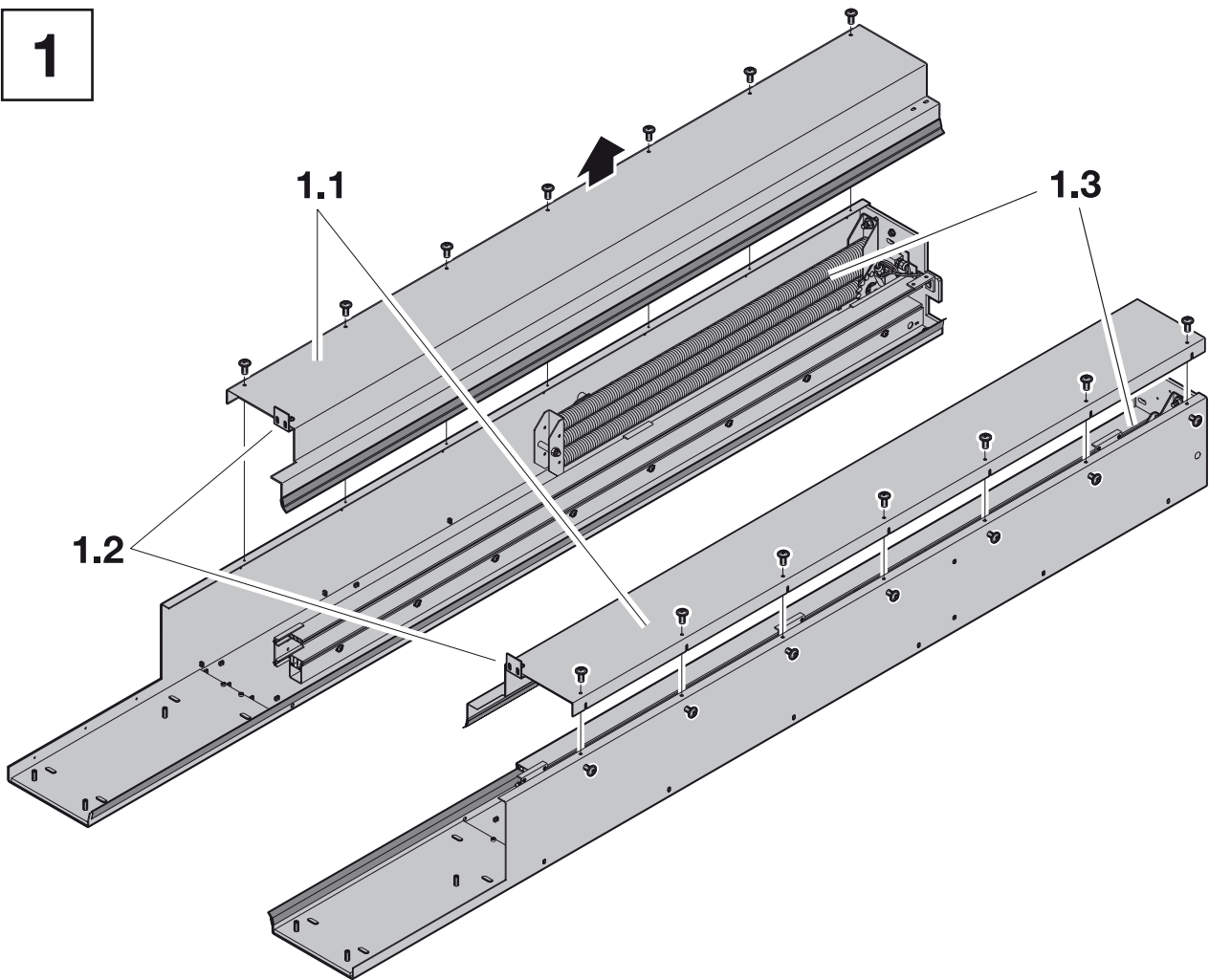
Poz.	Objedn. č.	Označenie
1	4990890	Strana pohonu <sup>1)</sup>
2	4990896	Strana ložiska <sup>1)</sup>
3	4990800	Konzola pohonu kompletná
4a	4990801	Veko pravé LDH ≤ 3250 <sup>1)</sup>
4b	4990802	Veko hore pravé LDH > 3250 <sup>1)</sup>
4c	4990803	Veko dole pravé LDH > 3250 <sup>1)</sup>
5a	4990804	Veko ľavé LDH ≤ 3250 <sup>1)</sup>
5b	4990805	Veko hore ľavé LDH > 3250 <sup>1)</sup>
5c	4990806	Veko dole ľavé LDH > 3250 <sup>1)</sup>
6	4990807	Podpora hriadeľ
7		Samostatná pružina <sup>1)</sup>
8	4990893	Balík pružín vpravo kompletný <sup>1)</sup>
9	4990894	Balík pružín vľavo kompletný <sup>1)</sup>
10	4990808	Reťazové koleso
11	4990809	Napínacie koleso reťaze pravé kompletné
12	4990810	Napínacie koleso reťaze ľavé kompletné
13	4991026	Pás 25 mm
14	159568	Valčeková reťaz zosilnená
15	159403	Radiálne guľôčkové ložisko ASPFL 208
16	4990812	Tlačidlo zapojené pravé
17	4990813	Tlačidlo zapojené ľavé
18	159406	Tlačidlo kontroly reťaze ľavé
19	159405	Tlačidlo kontroly reťaze pravé
20	4990815	Snímač medznej hodnoty
21	4990816	Hliníkový profil vedenie vpravo kompletné <sup>1)</sup>
22	4990817	Hliníkový profil vedenie vľavo kompletné <sup>1)</sup>
23		Svetelná mreža <sup>1)</sup>
24	4991153	Tesnenie pre vedenie
25	4990750	Pohon
26	157686	Brzda 11 Nm 103 V DC
27	158171	Prevodovka s núdzovou ručnou reťazou
28	157779	Navíjacia reťaz

Poz.	Objedn. č.	Označenie
29	306407	Reťazový článok navíjacej reťaze
30	4991848	Najvrchnejší panel kompletný <sup>1)</sup>
31	4990819	Hliníkový profil okna kompletný <sup>1)</sup>
32	4990820	PU panel kompletný <sup>1)</sup>
33	4990821	Dolný diel kompletný <sup>1)</sup>
34	4990822	Profil tvaru U s napojením reťaze vpravo kompletný
35	4990823	Profil tvaru U s napojením reťaze vľavo kompletný
36	4990824	Napojenie reťaze kompletné
37	4990829	Dištančná vložka
38	4990830	Ramienko veka
39	4990831	Upevňovací uholník veka
40	306843	Gumený profil
41a	4990832	Upevnenie špirály vpravo kompletné LDH ≤ 5000 <sup>1)</sup>
41b	4990875	Upevnenie špirály vpravo kompletné LDH > 5000 <sup>1)</sup>
42a	4990833	Upevnenie špirály vľavo kompletné LDH ≤ 5000 <sup>1)</sup>
42b	4990876	Upevnenie špirály vľavo kompletné LDH > 5000 <sup>1)</sup>
43	4990834	Oporný plech vpravo
44	4990835	Oporný plech vľavo
45	4991214	Vratná kladka pásu balík pružín kompletný
46	4990837	Spojovací článok závesu kompletný
47a	4990838	Stredový záves čierny kompletný
47b	4990797	Stredový záves strieborný kompletný
48	4990839	Uzavretý profil <sup>1)</sup>
49	4991632	Blokovací valček pásu kompletný
50	4990841	Hnací hriadeľ <sup>1)</sup>
51	4990842	Revízny plech s ložiskom pravý kompletný
52	4990843	Revízny plech s ložiskom ľavý kompletný
53	159137	Fóliová klávesnica (Iba AS 500)
54	158645	Hlavný vypínač (Iba AS 500)
55	157299	Tlačidlo núdzového vypnutia otočné odblokovanie
56	4990887	Upevnenie svetelnej mreže
57	4990854	Upevňovacia svorka
58	157097	Predĺženie klávesnice
59	306421	Fóliová klávesnica (iba BK 150 FUE H)
60	4991158	Obloženie kompletné
61	159611	Hlavný vypínač uzamykateľný (iba BK 150 FUE H)
62	4990818	Kotúč s bandážou
63a	4991415	Oblúk závesu kompletný <sup>1)</sup>
63b	157333	Štetinové tesnenie preklad 6 × 7 <sup>1)</sup>
64a	4991426	Utesňovací rám kanál <sup>1)</sup>
64b	157332	Hliníkový profil prekladová kefa <sup>1)</sup>

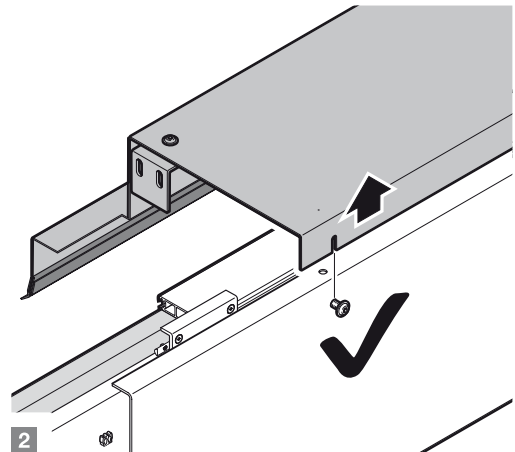
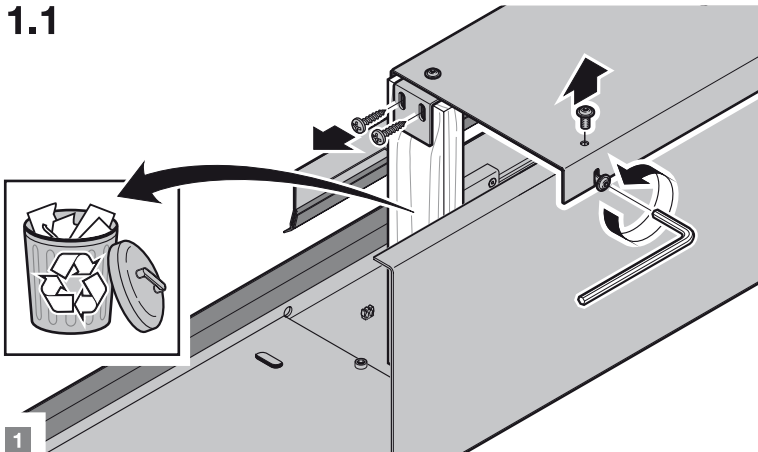
Poz.	Objedn. č.	Označenie
65	4991427	Zacvakávací utesňovací rám <sup>1)</sup>
66	4991703	Dištančné puzdro 10 mm
67	159163	Nastavovací krúžok
68	4991839	Anti-deflection roller
69	4991849	Connection angle

1) Uviest' obj. č.

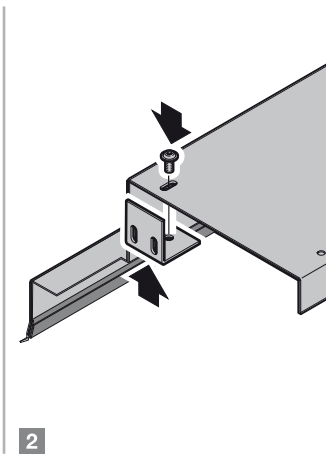
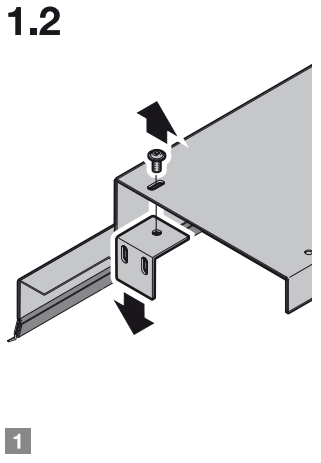
1



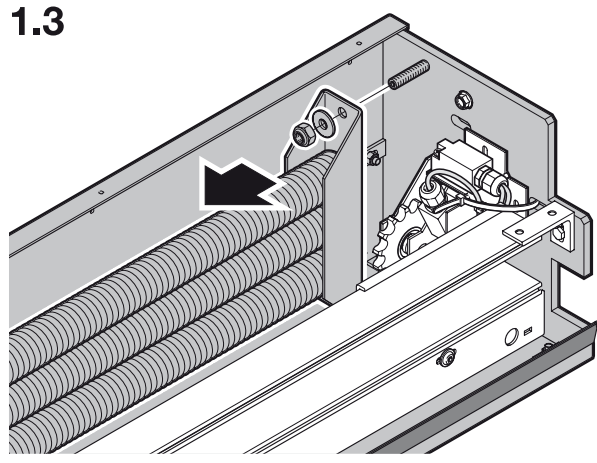
1.1



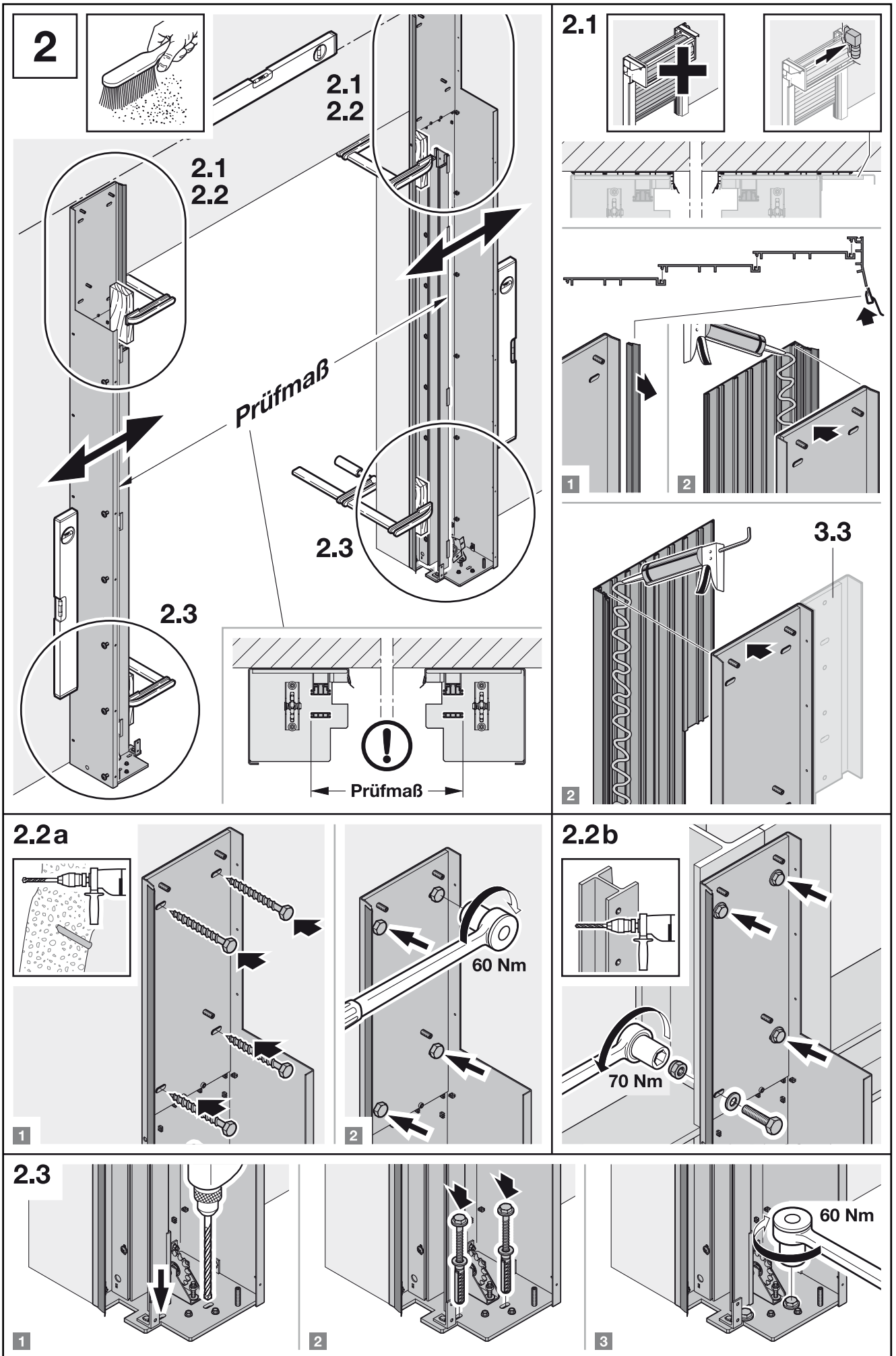
1.2



1.3



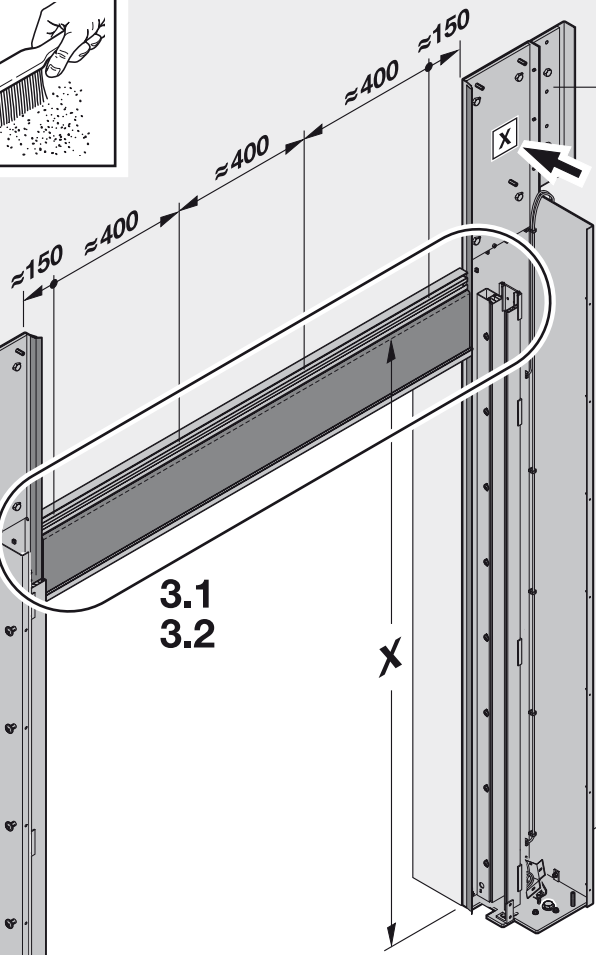




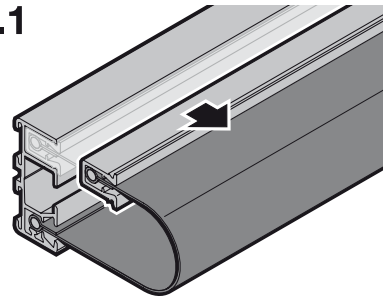
3



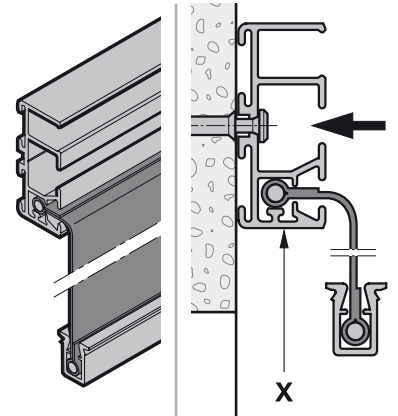
3.3  
3.4



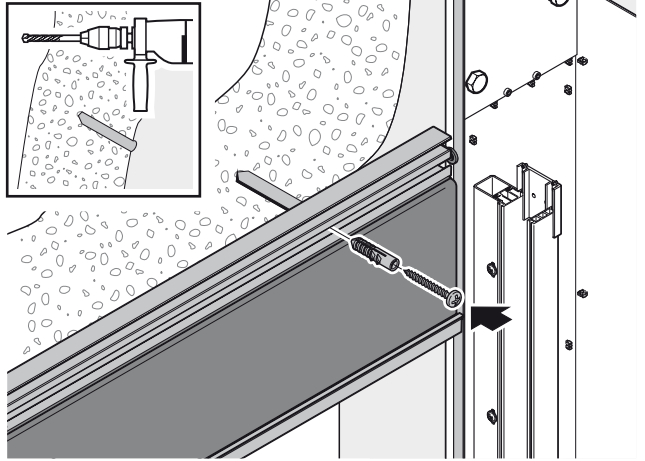
3.1



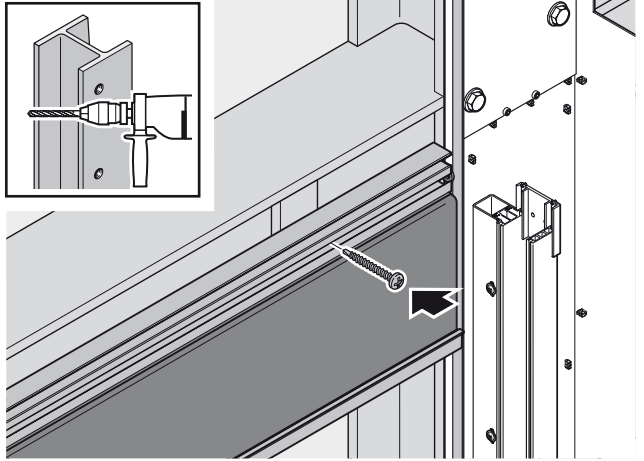
3.1  
3.2



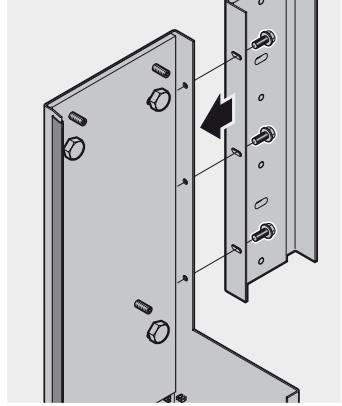
3.2a



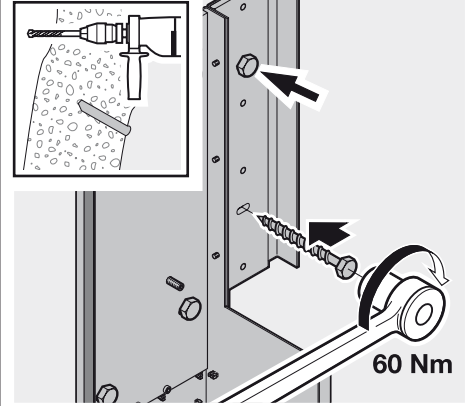
3.2b



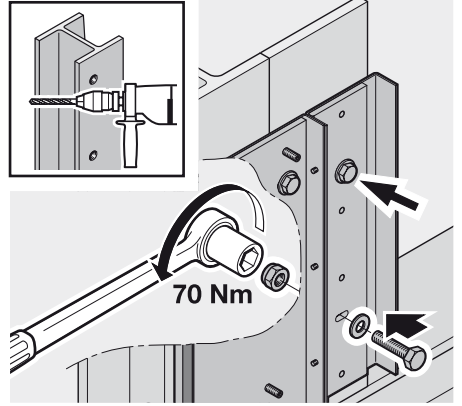
3.3



3.4a



3.4b

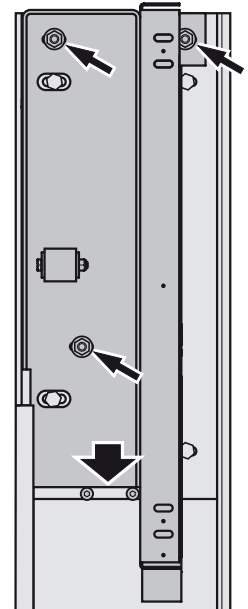
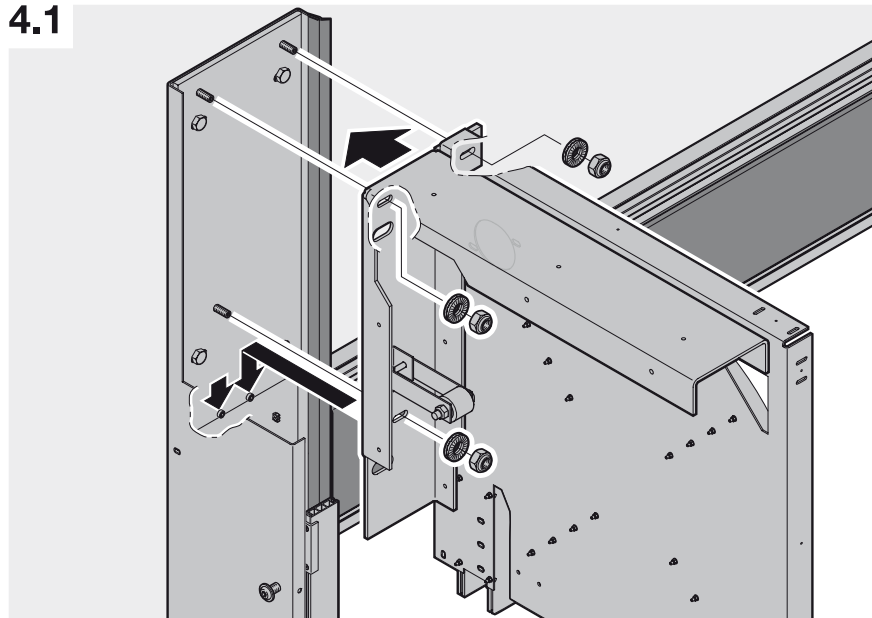


4

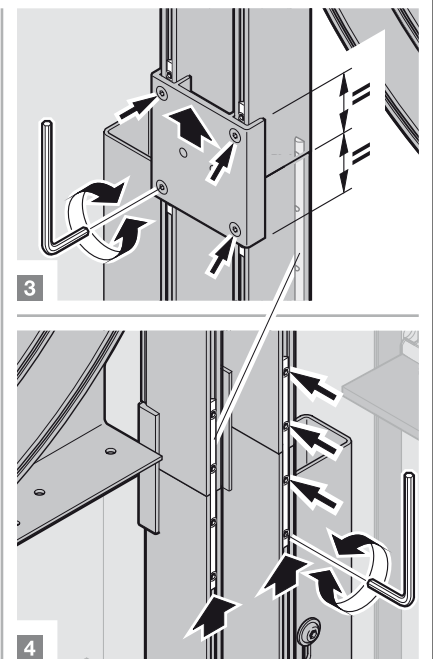
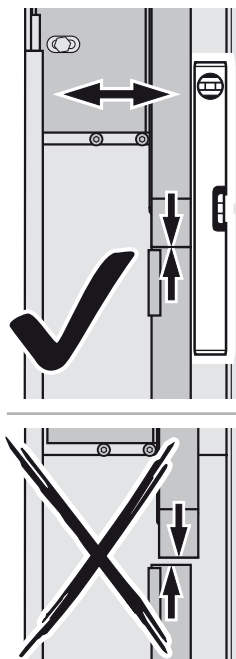
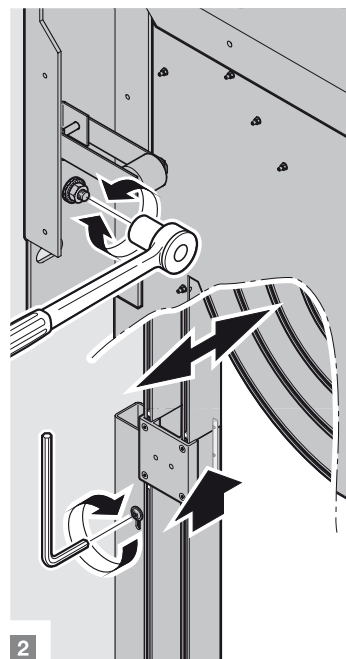
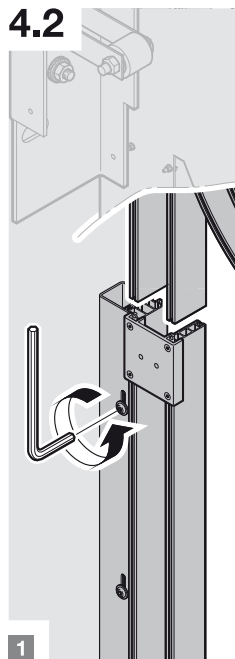
4.1  
4.2

4.1  
4.2

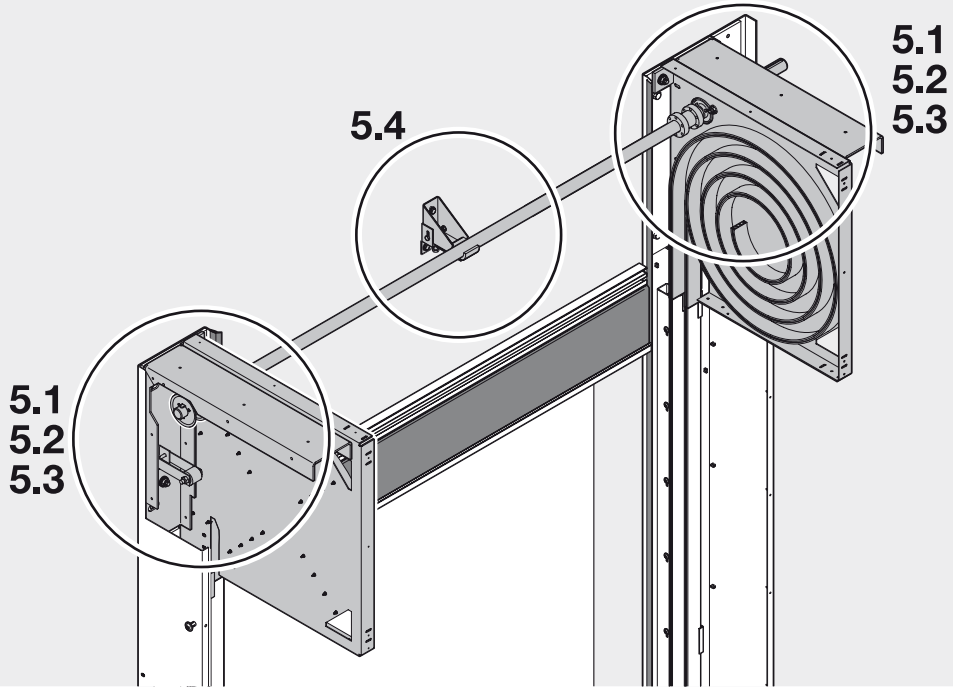
4.1



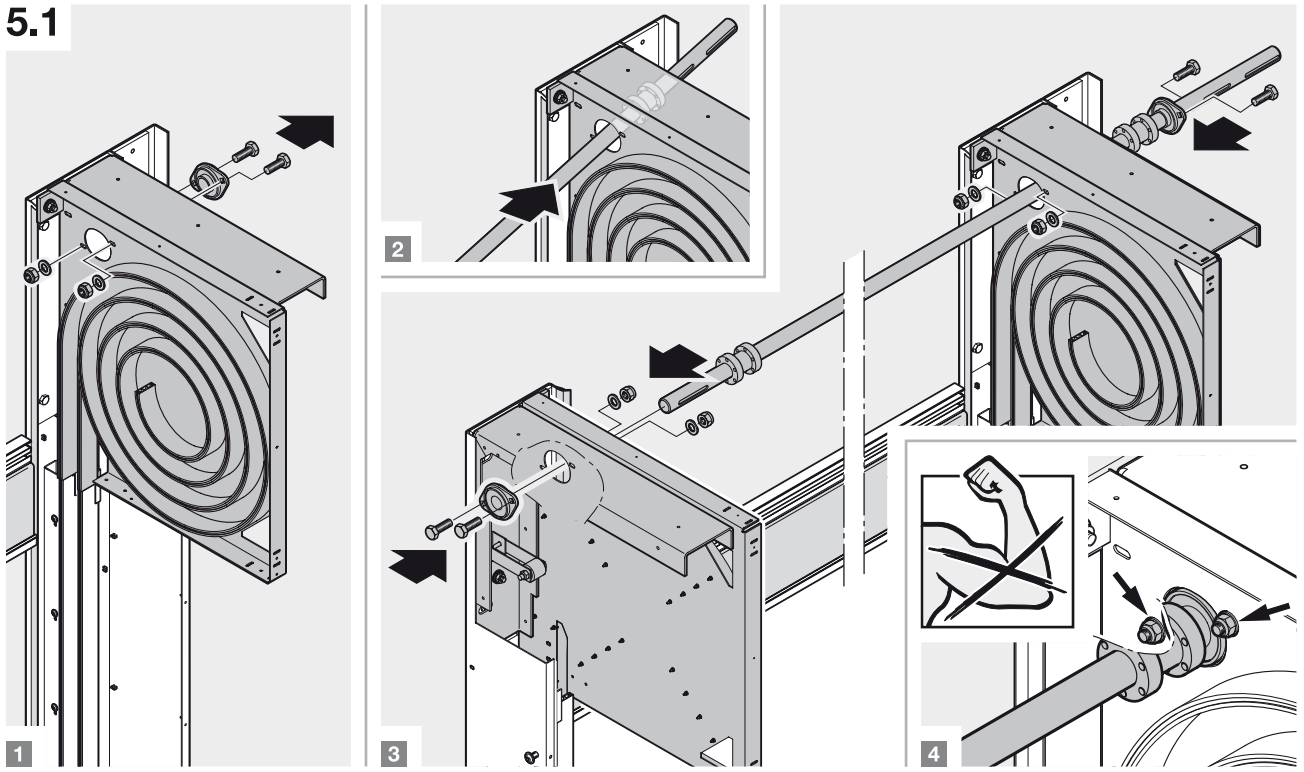
4.2



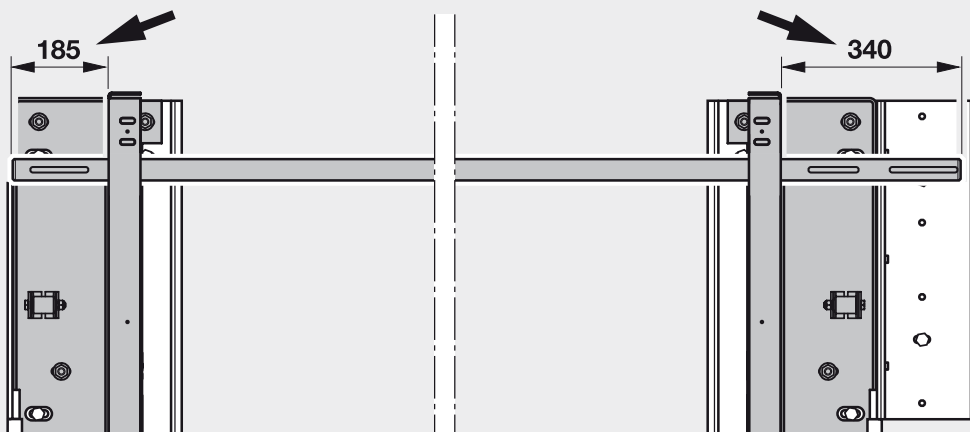
5



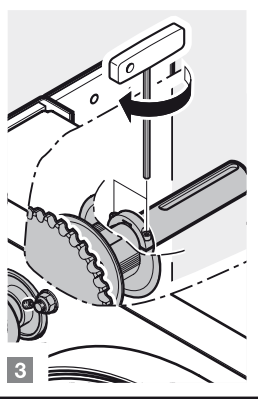
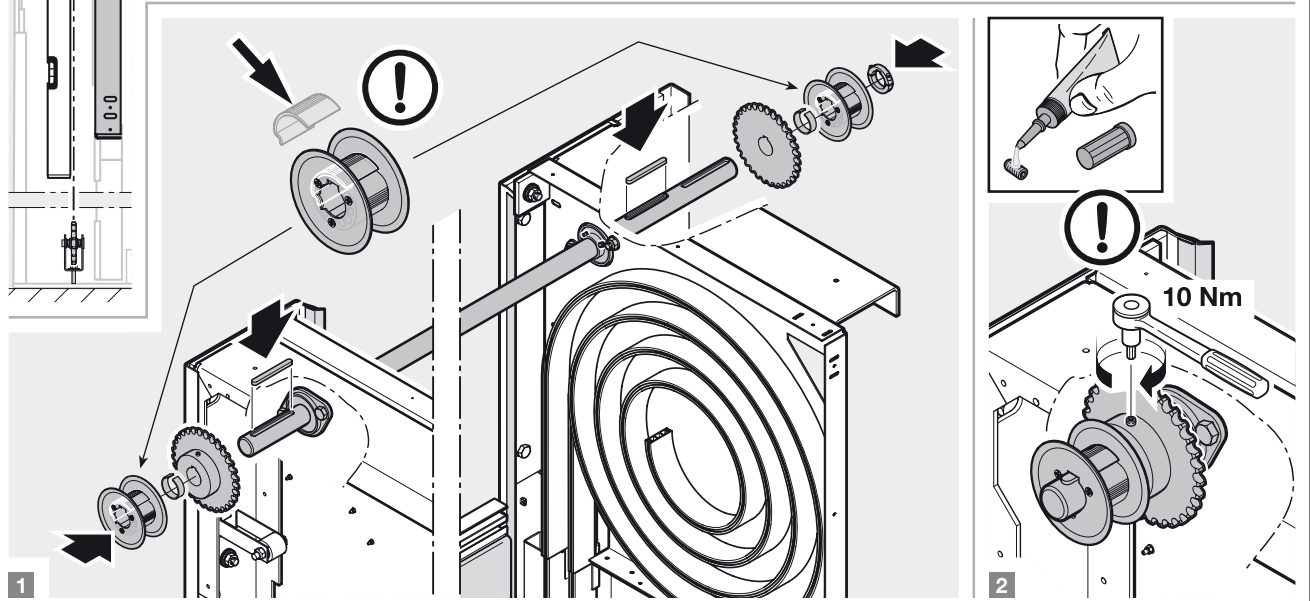
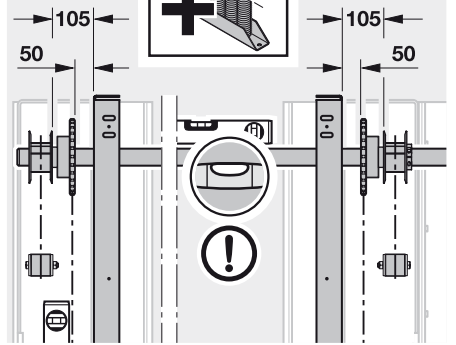
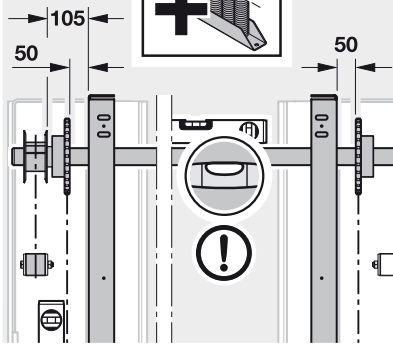
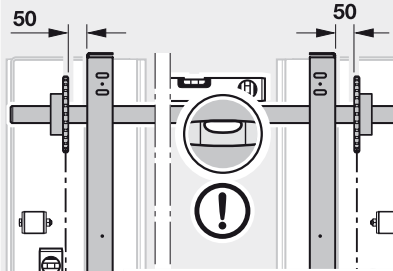
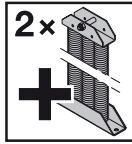
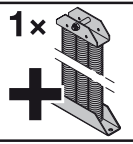
5.1



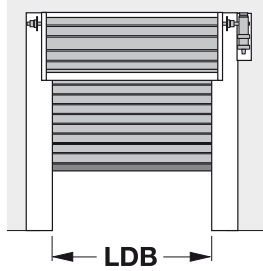
5.2



5.3

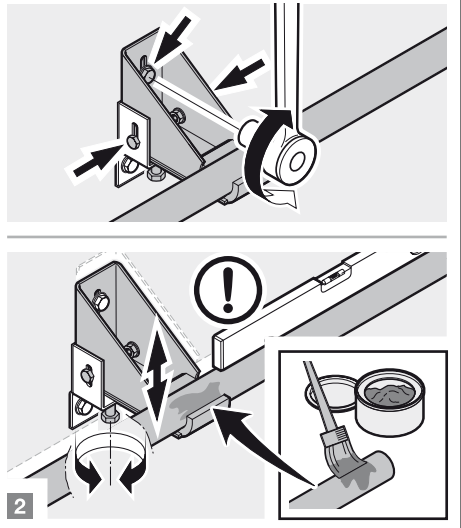
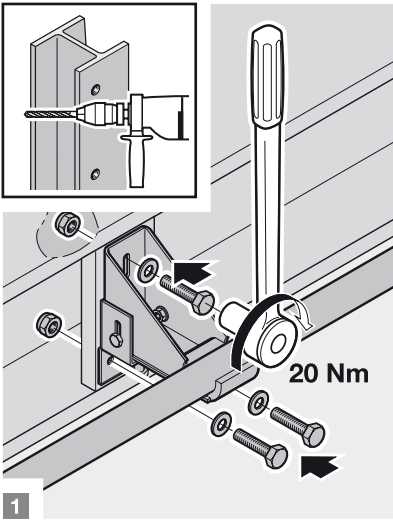
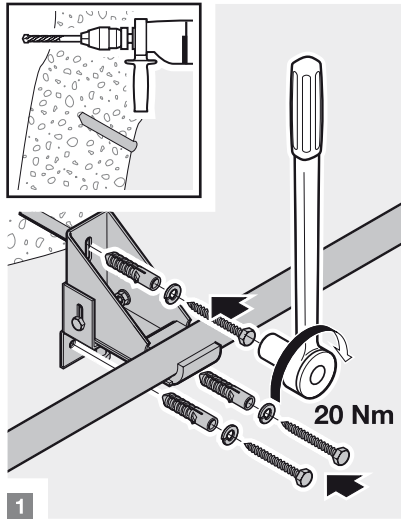
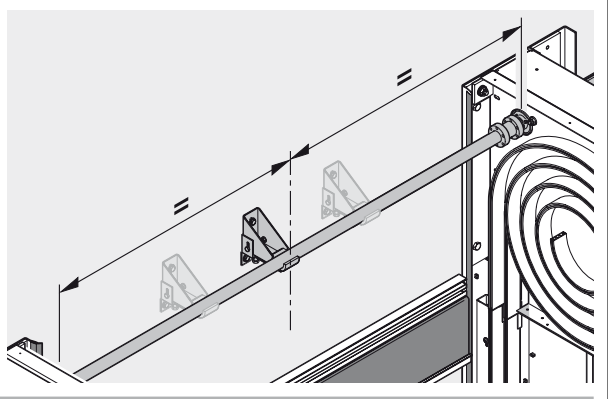


5.4



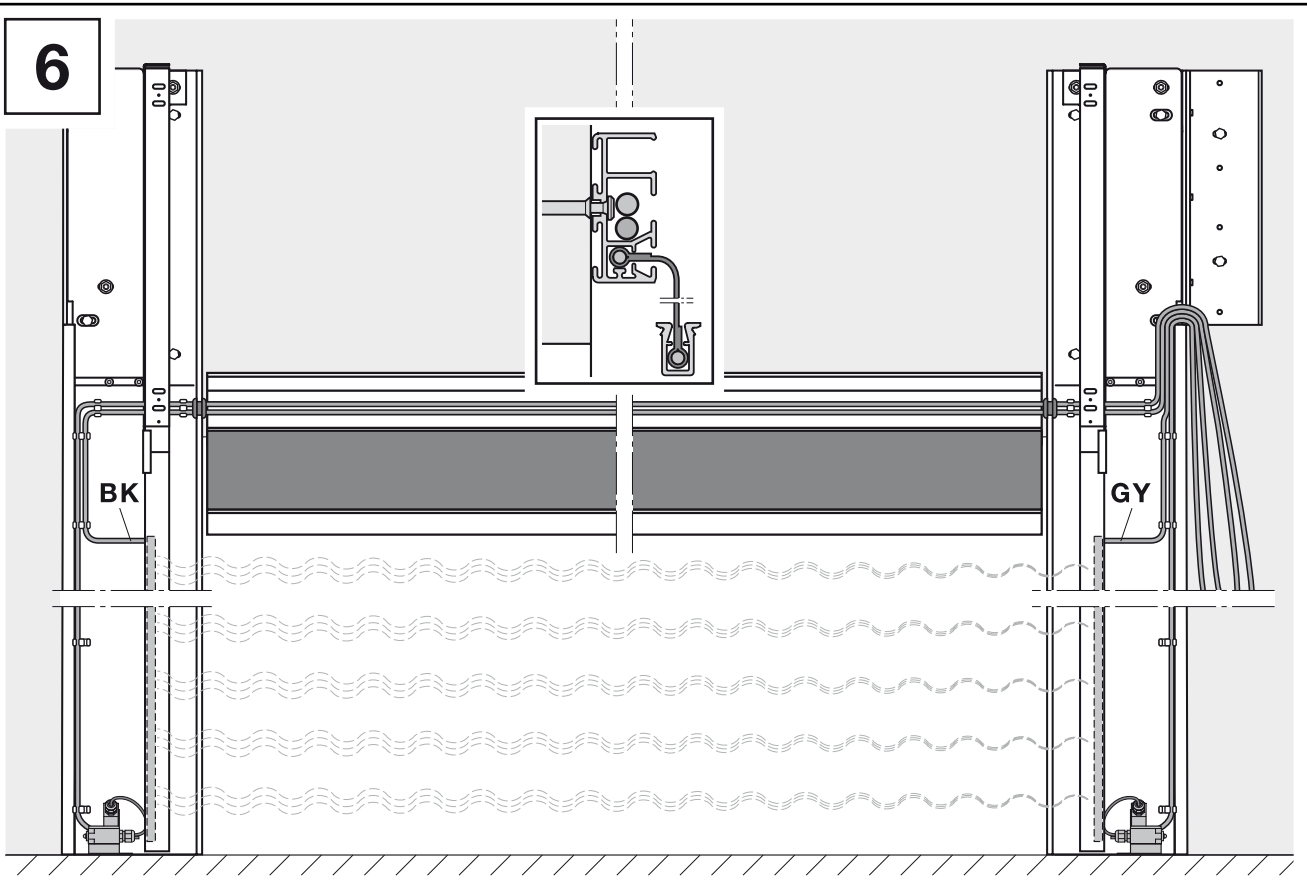
LDB > 3500

LDB > 5000

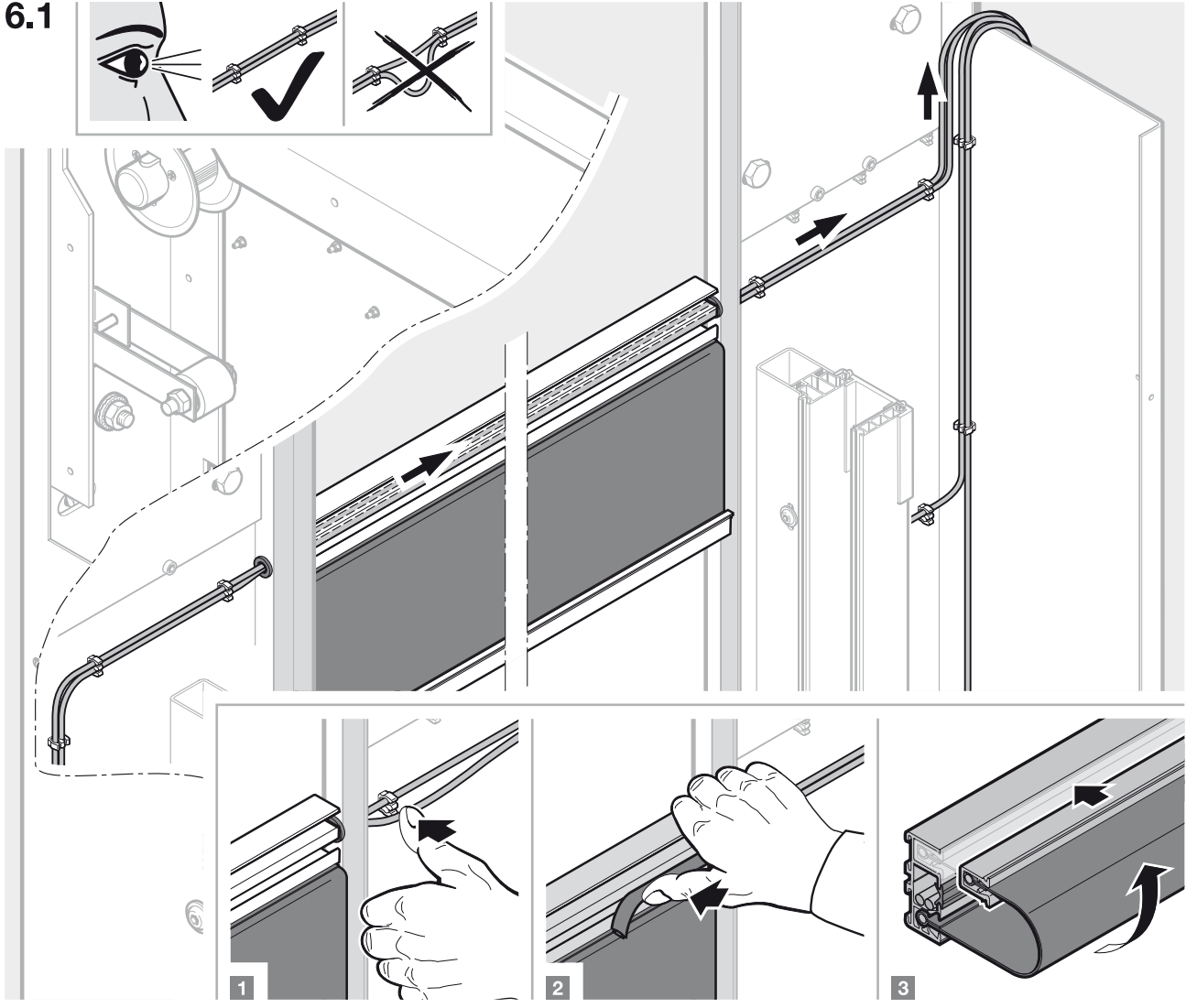
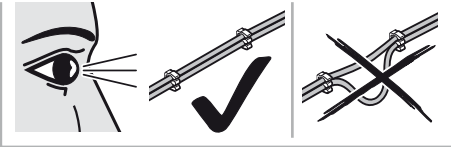




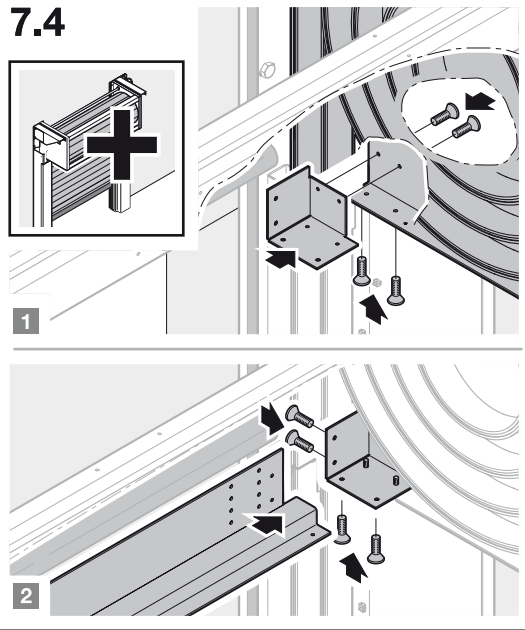
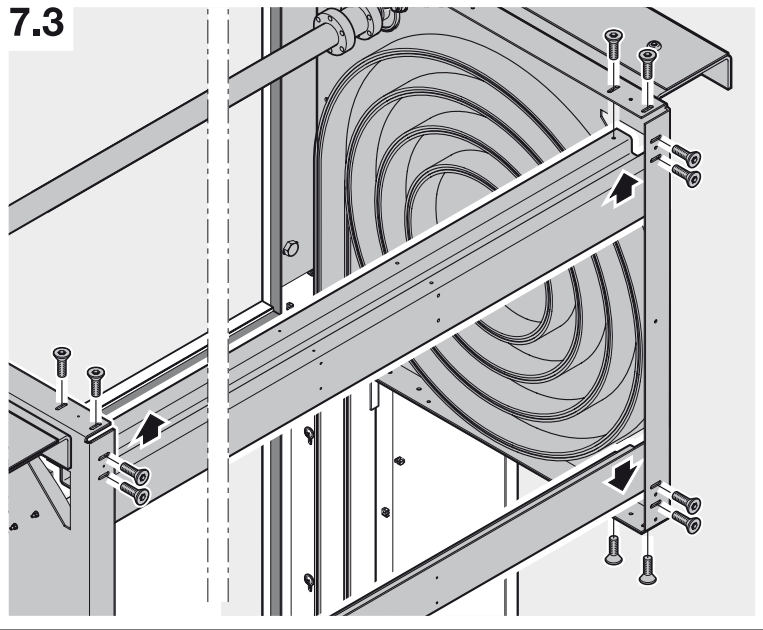
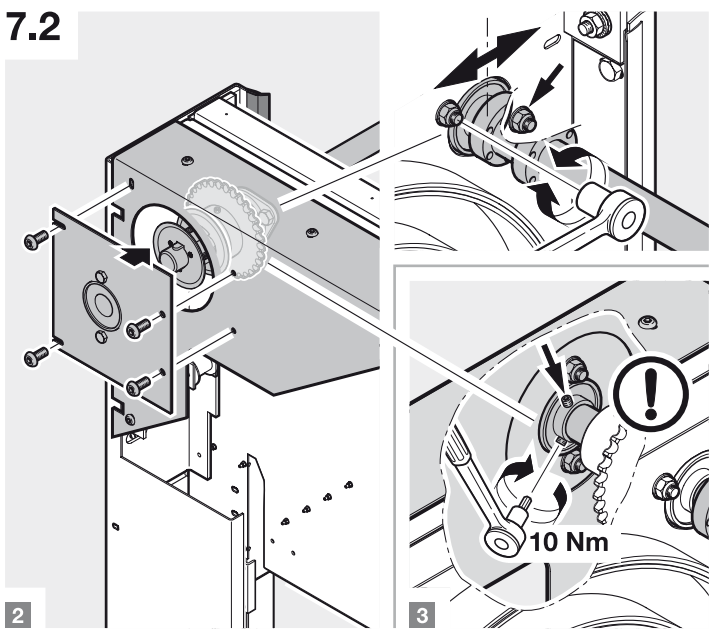
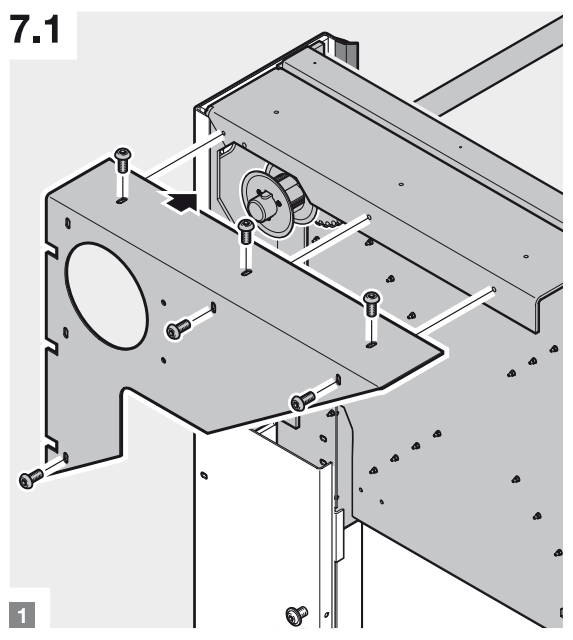
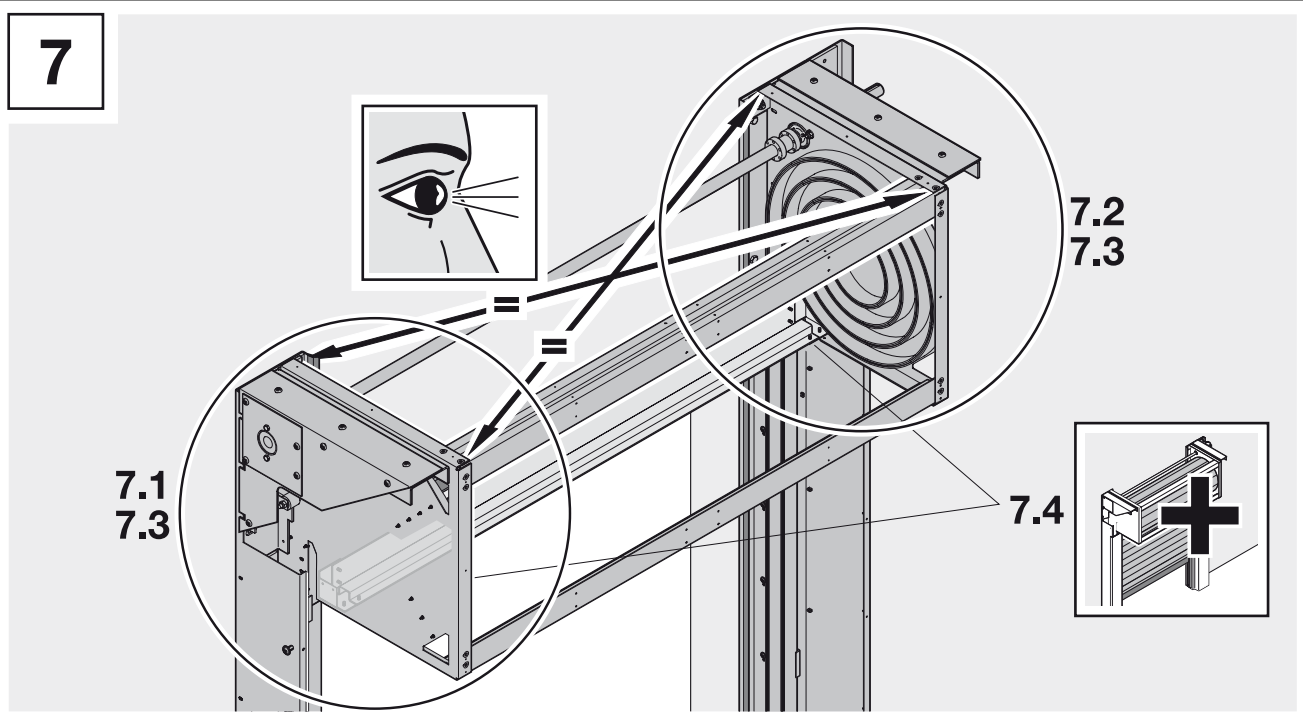
6



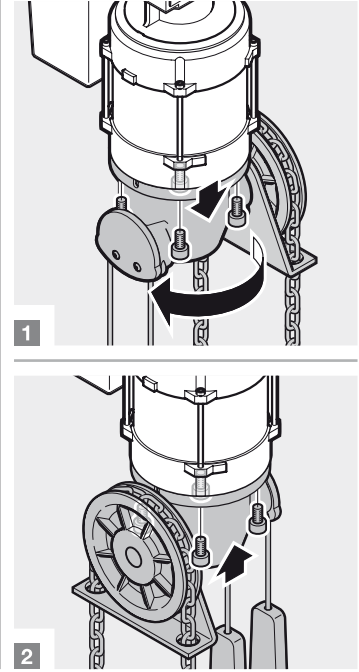
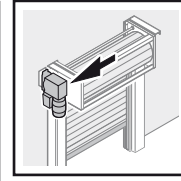
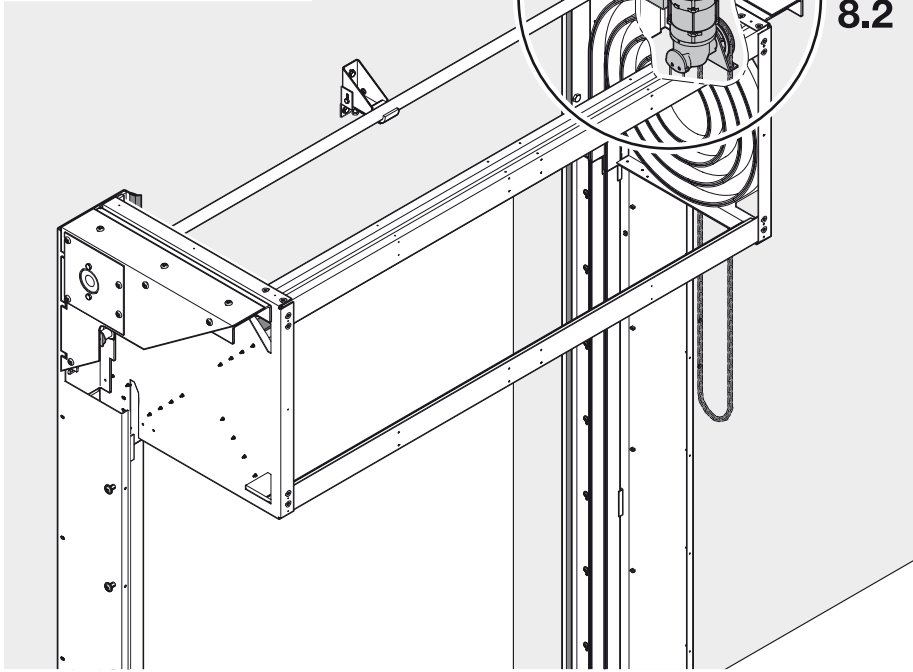
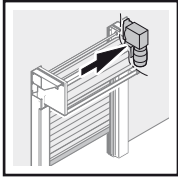
6.1



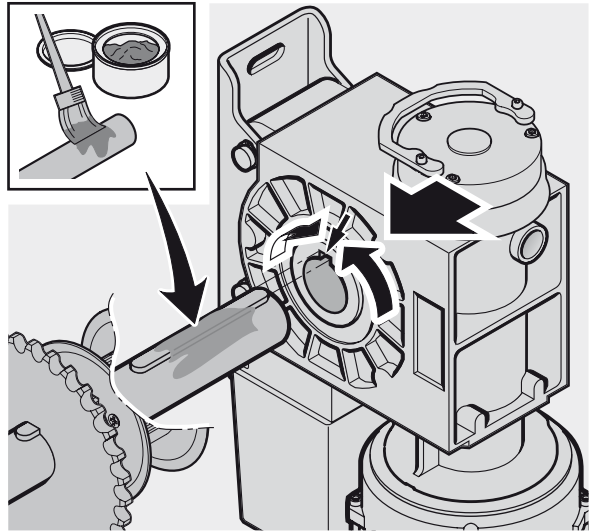
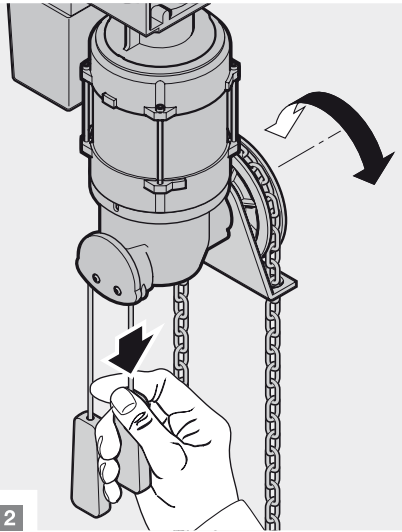
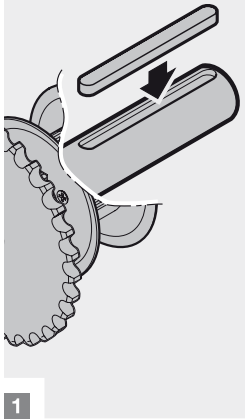
7



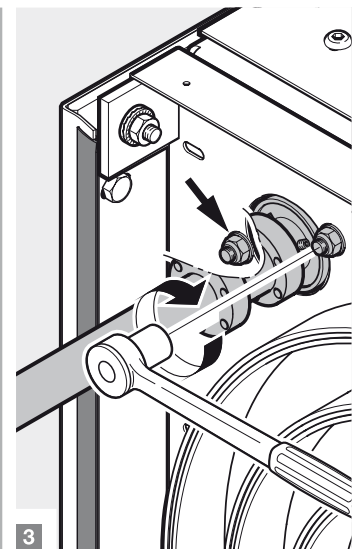
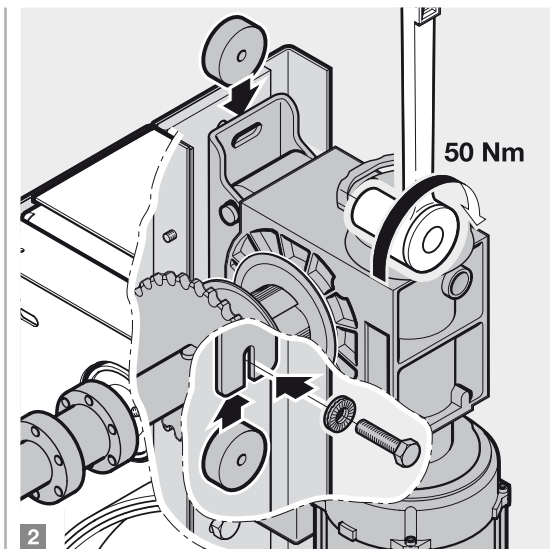
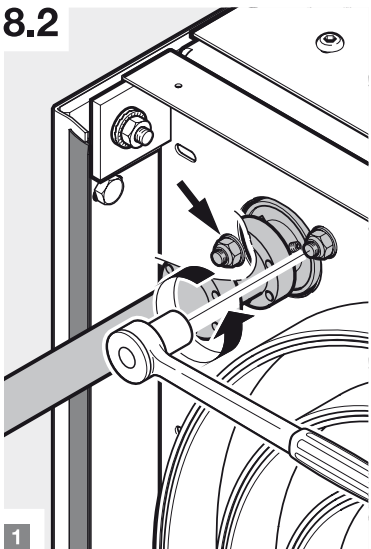
8



8.1



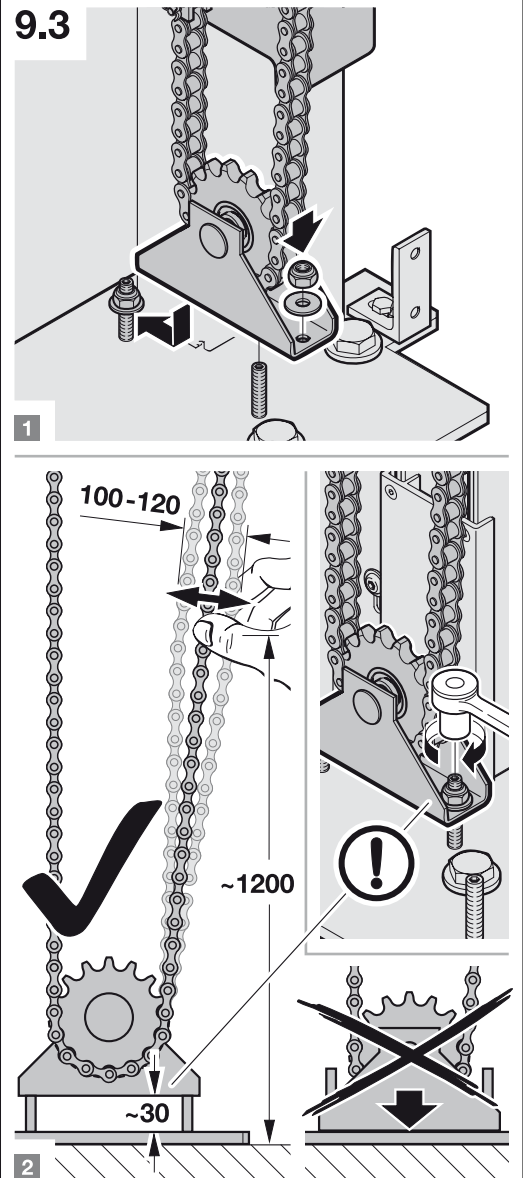
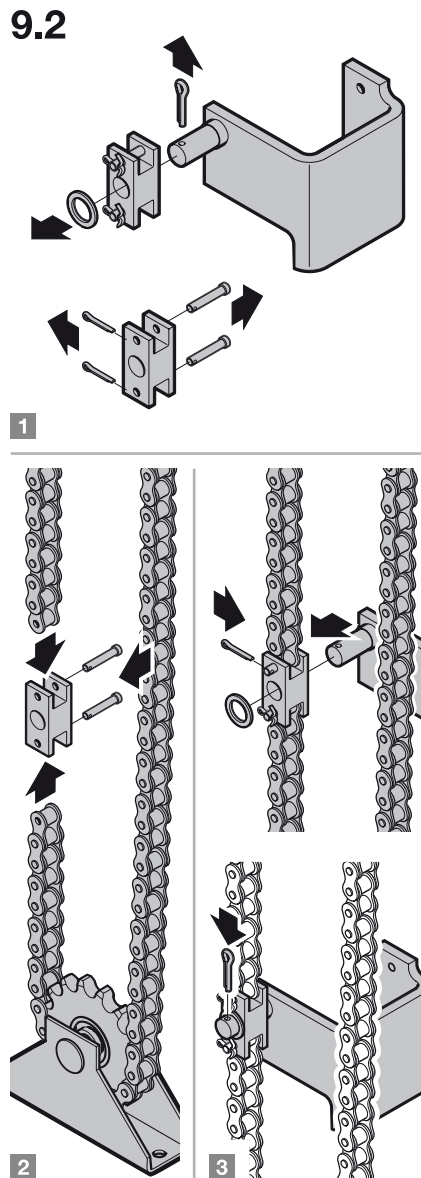
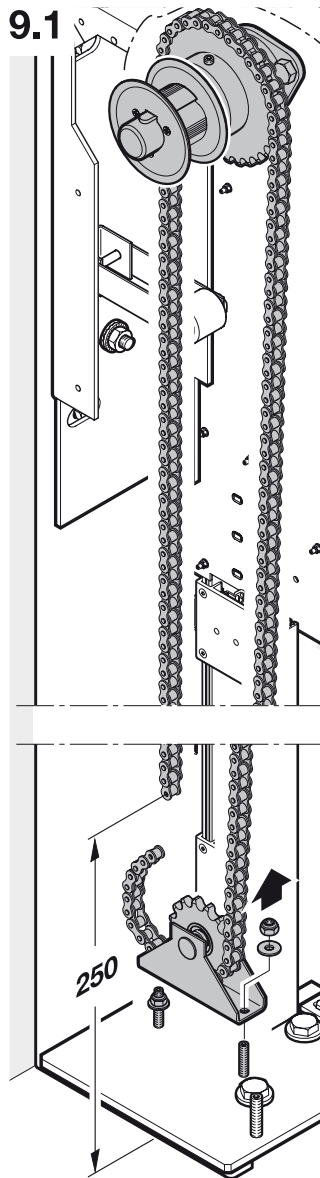
8.2



9

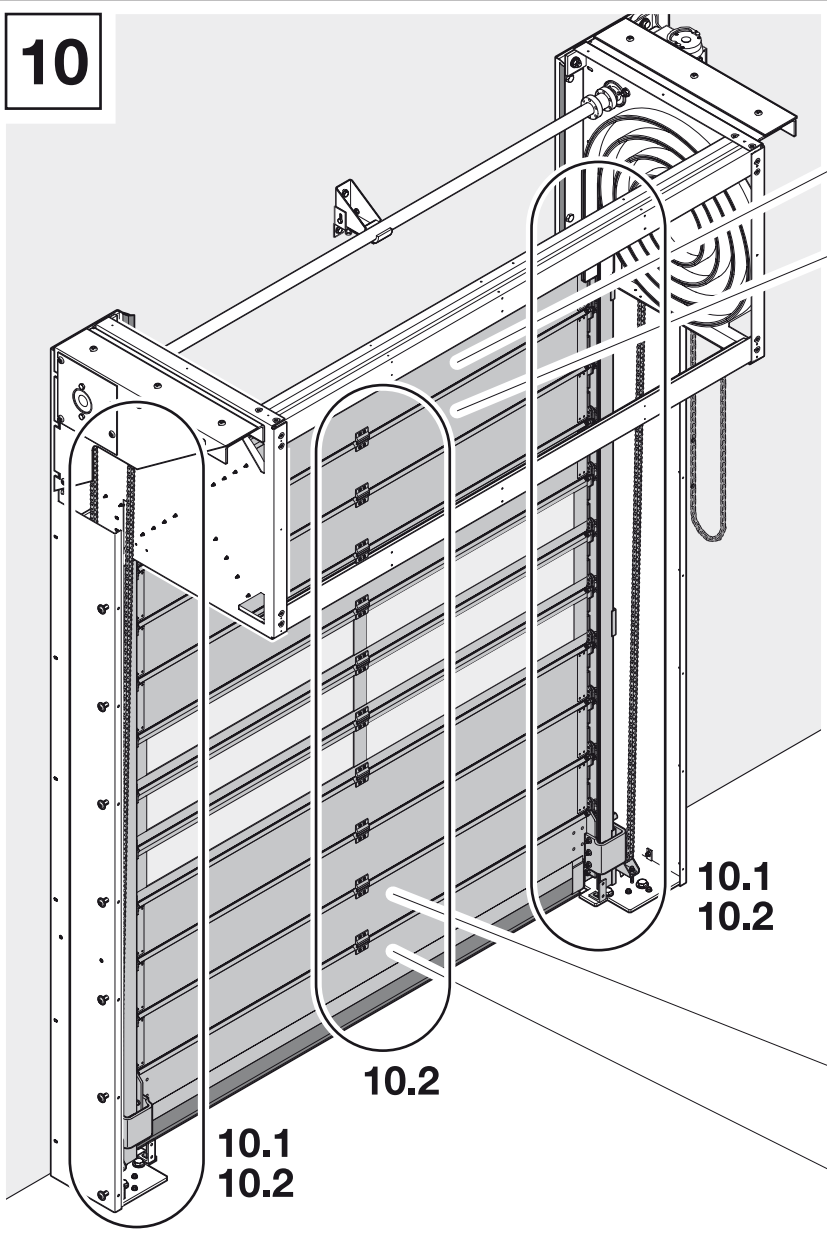
9.1  
9.2  
9.3


9.1  
9.2  
9.3








10





- 


56400-00-00  
LB LH von TorTyp: RTS  
 StandardPlus SAL: UNTERSTP  
 ProfilTyp: StandardPlus  
 Profilhöhe: 60mm-Profil  
 Profillänge: M11 PX
- 


56400-00-00  
LB LH von TorTyp: RTS  
 StandardPlus SAL: UNTERSTP  
 ProfilTyp: StandardPlus  
 Profilhöhe: 60mm-Profil  
 Profillänge: M10 PX
- 


56400-00-00  
LB LH von TorTyp: RTS  
 StandardPlus SAL: UNTERSTP  
 ProfilTyp: StandardPlus  
 Profilhöhe: 60mm-Profil  
 Profillänge: M9 PX
- 


56400-00-00  
LB LH von TorTyp: RTS  
 StandardPlus SAL: UNTERSTP  
 ProfilTyp: StandardPlus  
 Profilhöhe: 60mm-Profil  
 Profillänge: M8 PX
- 


56400-00-00  
LB LH von TorTyp: RTS  
 StandardPlus SAL: UNTERSTP  
 ProfilTyp: StandardPlus  
 Profilhöhe: 60mm-Profil  
 Profillänge: M7 PX
- 

56400-00-00  
LB LH von TorTyp: RTS  
 StandardPlus SAL: UNTERSTP  
 ProfilTyp: StandardPlus  
 Profilhöhe: 60mm-Profil  
 Profillänge: M6 PX
- 

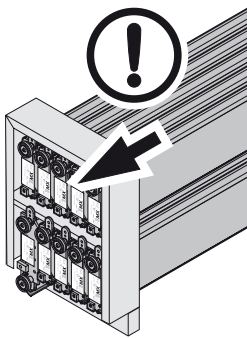
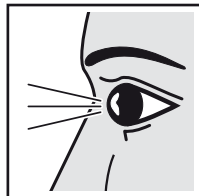
56400-00-00  
LB LH von TorTyp: RTS  
 StandardPlus SAL: UNTERSTP  
 ProfilTyp: StandardPlus  
 Profilhöhe: 60mm-Profil  
 Profillänge: M5 PX
- 

56400-00-00  
LB LH von TorTyp: RTS  
 StandardPlus SAL: UNTERSTP  
 ProfilTyp: StandardPlus  
 Profilhöhe: 60mm-Profil  
 Profillänge: M4 PX
- 

56400-00-00  
LB LH von TorTyp: RTS  
 StandardPlus SAL: UNTERSTP  
 ProfilTyp: StandardPlus  
 Profilhöhe: 60mm-Profil  
 Profillänge: M3 PX
- 

56400-00-00  
LB LH von TorTyp: RTS  
 StandardPlus SAL: UNTERSTP  
 ProfilTyp: StandardPlus  
 Profilhöhe: 60mm-Profil  
 Profillänge: M2 PX
- 

56400-00-00  
LB LH von TorTyp: RTS  
 StandardPlus SAL: UNTERSTP  
 ProfilTyp: StandardPlus  
 Profilhöhe: 60mm-Profil  
 Profillänge: M1 PX

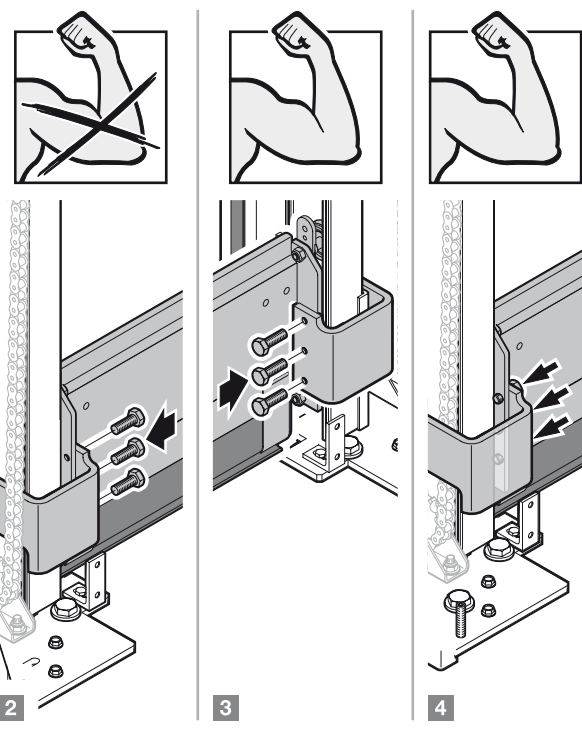
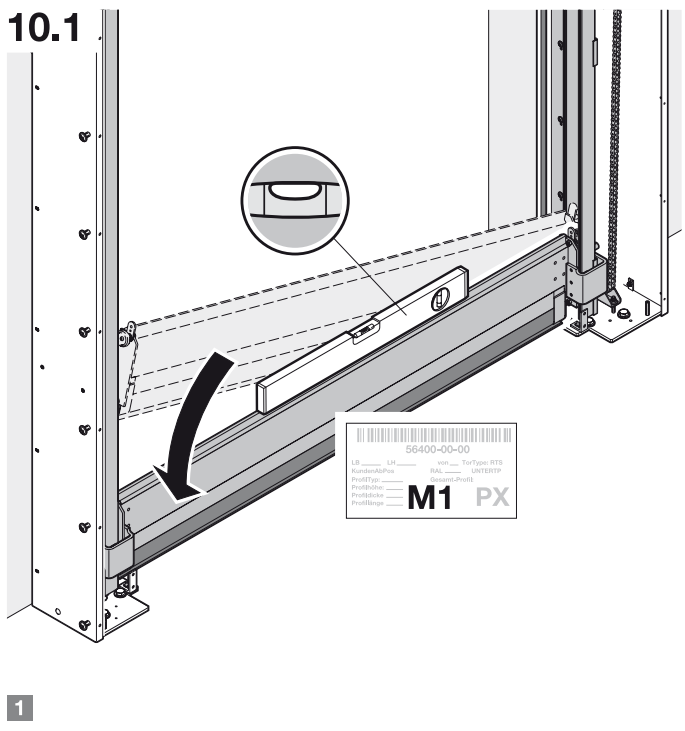


10.1  
10.2

10.2

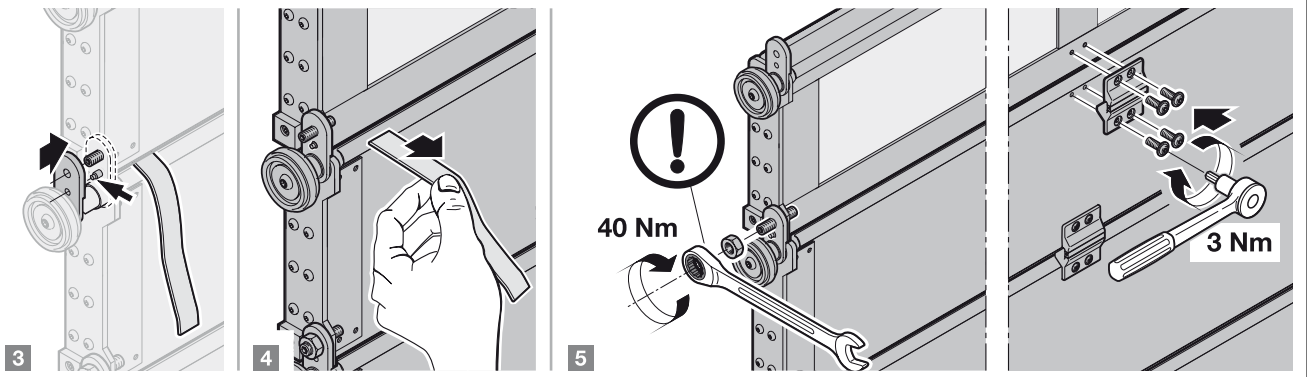
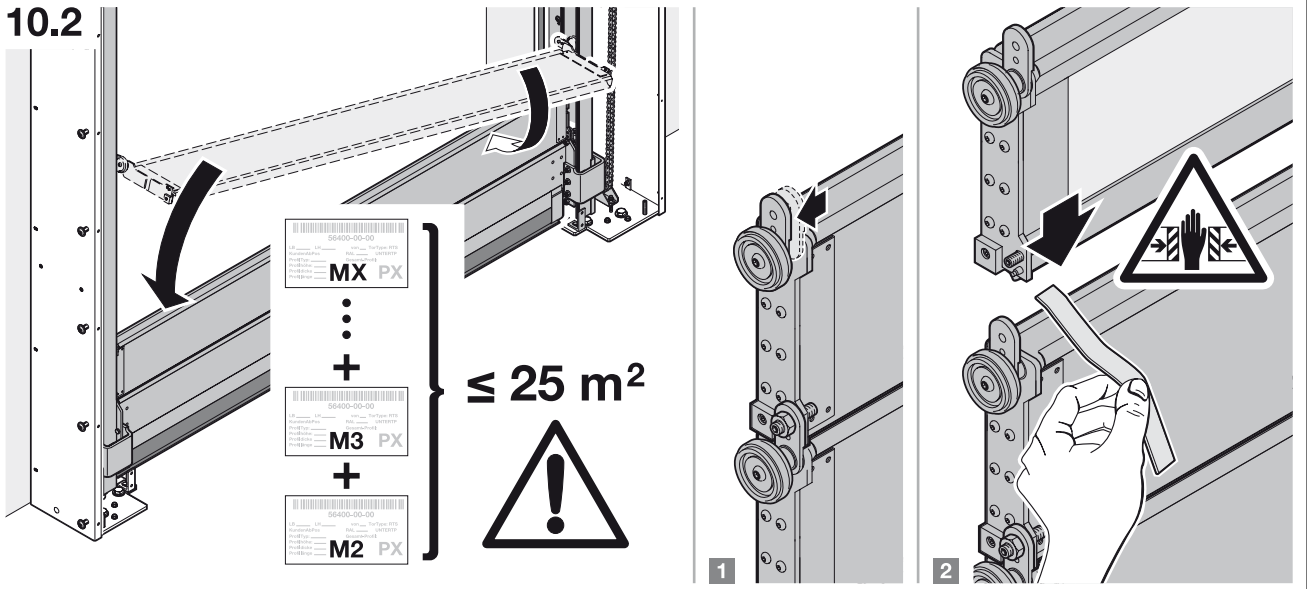
10.1  
10.2

10.1

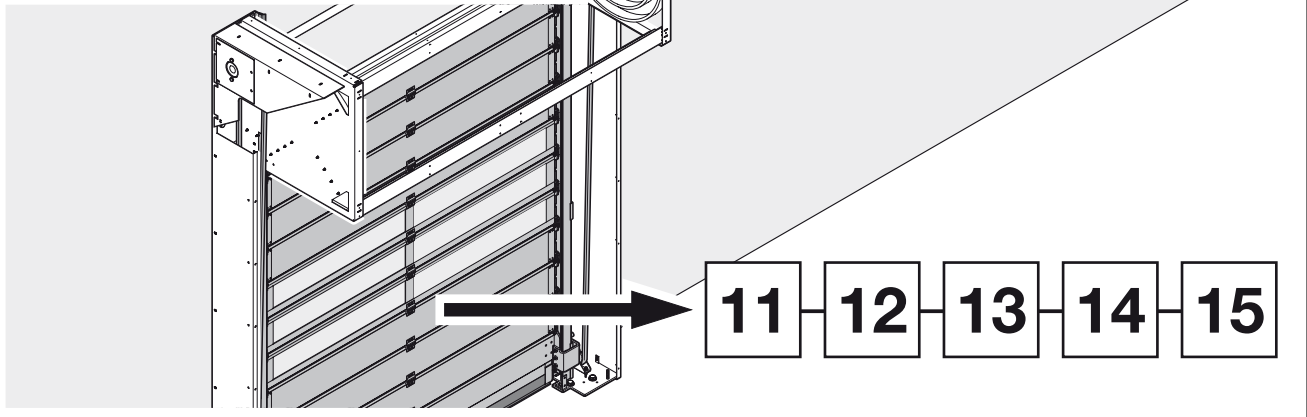




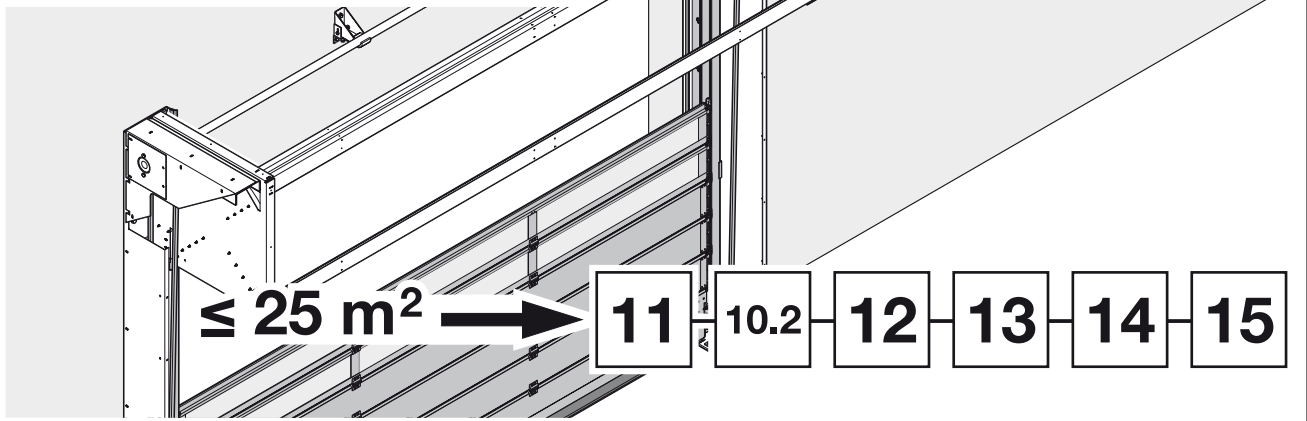
10.2



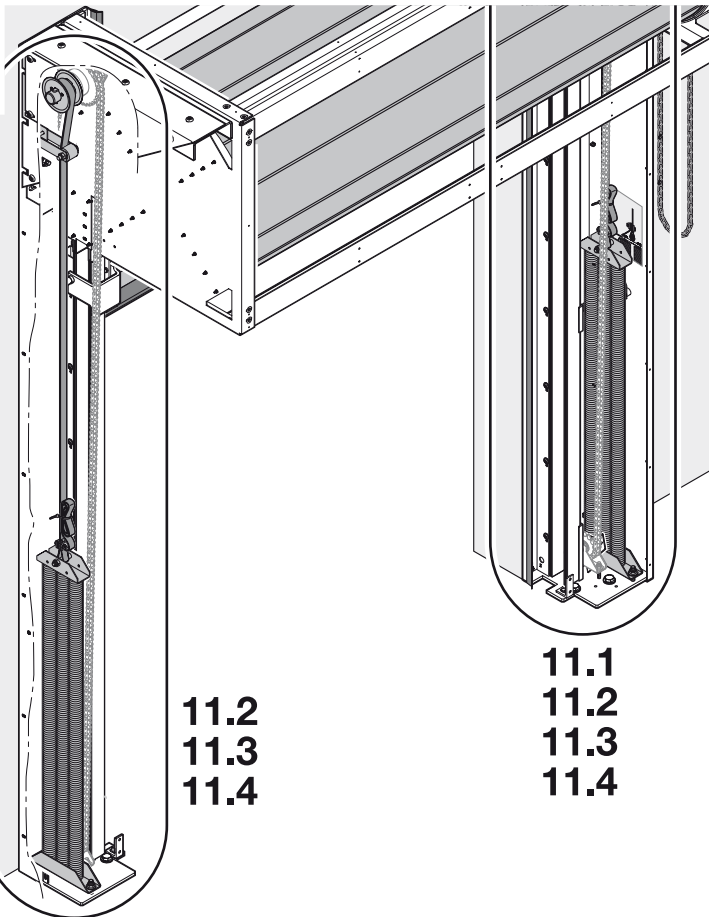
**LDH x LDB  $\leq 25 \text{ m}^2$**



**LDH x LDB  $> 25 \text{ m}^2$**



11



11.2  
11.3  
11.4

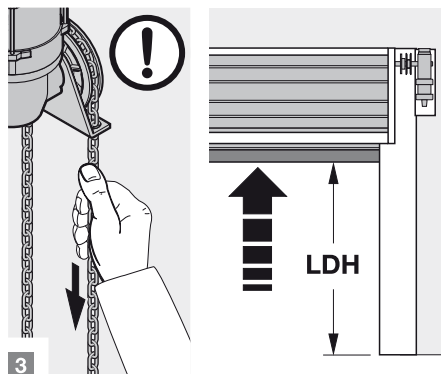
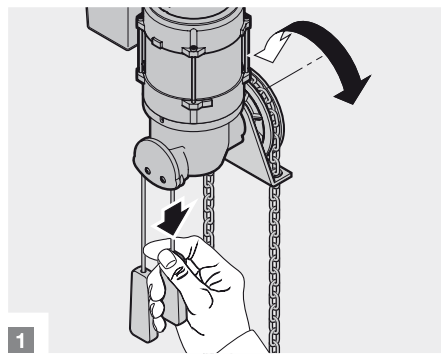
11.1  
11.2  
11.3  
11.4

11.1

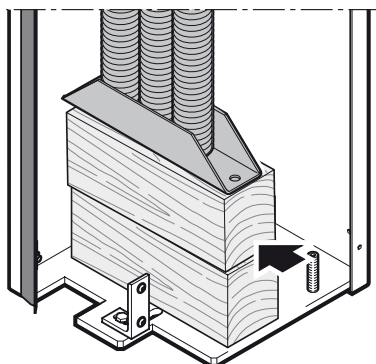
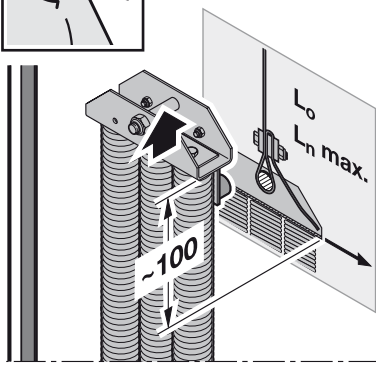


10.2

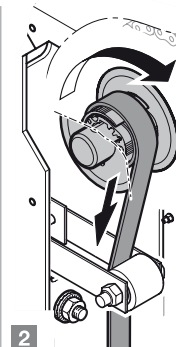
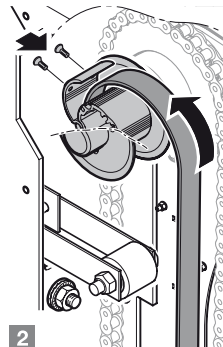
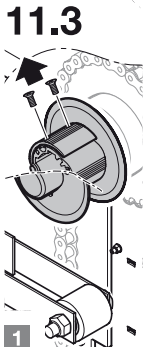
$$M1 + M2 + \dots + MX \leq 25 \text{ m}^2$$



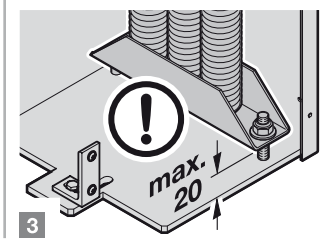
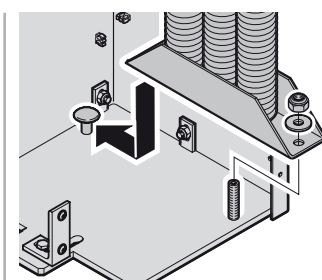
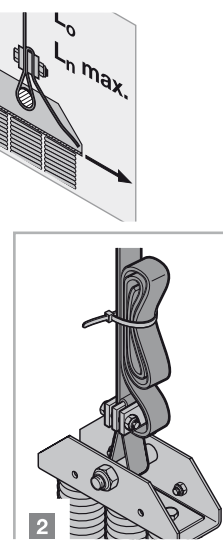
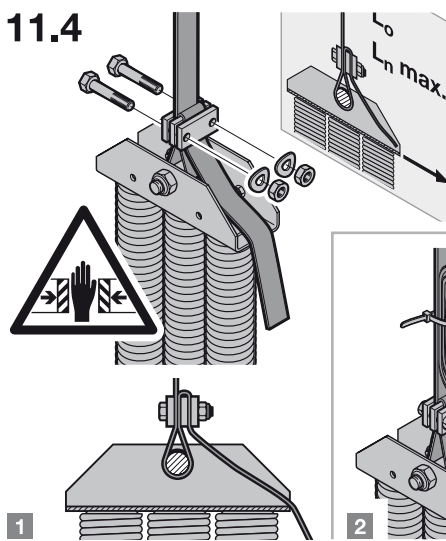
11.2



11.3



11.4



11.5

$$LDH \times LDB > 25 \text{ m}^2$$



10.2

12

13

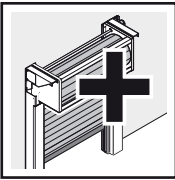
14

15

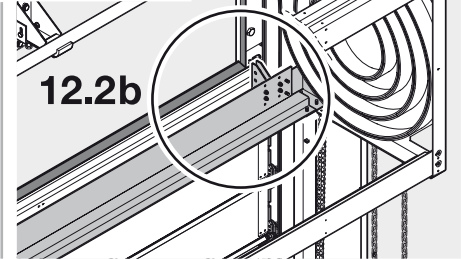
12

12.2a

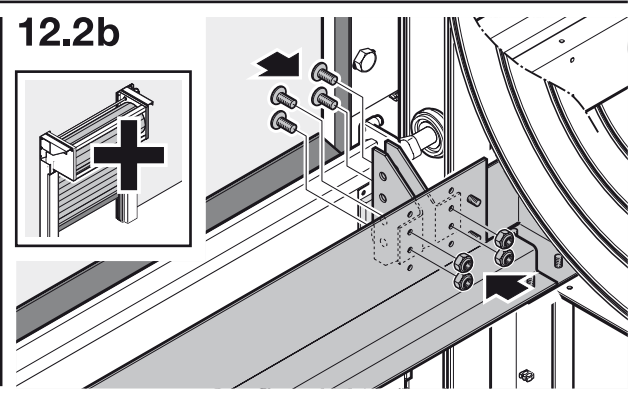
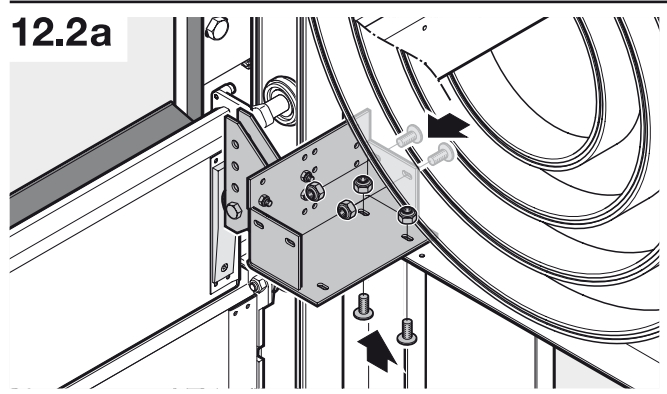
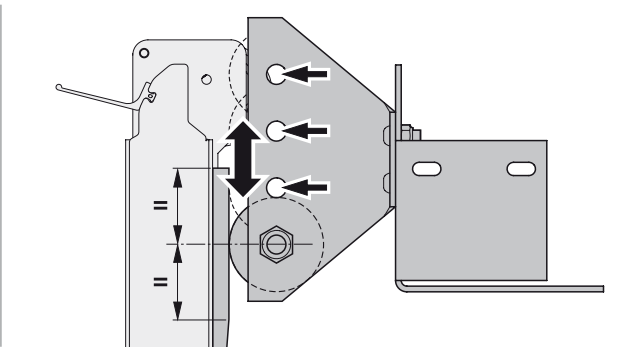
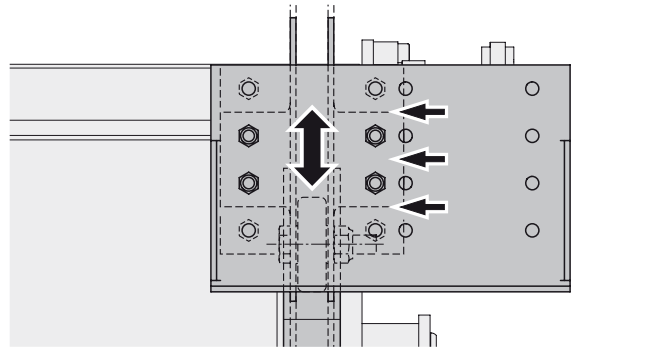
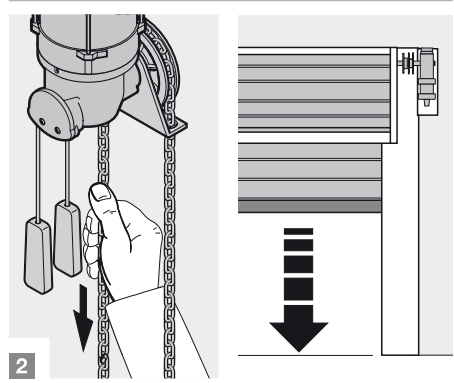
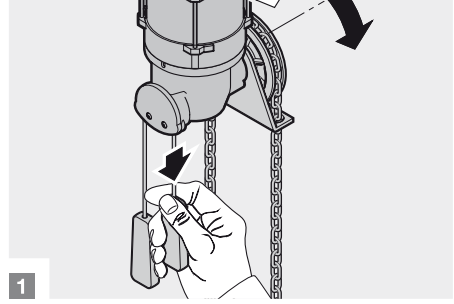
12.2a



12.2b



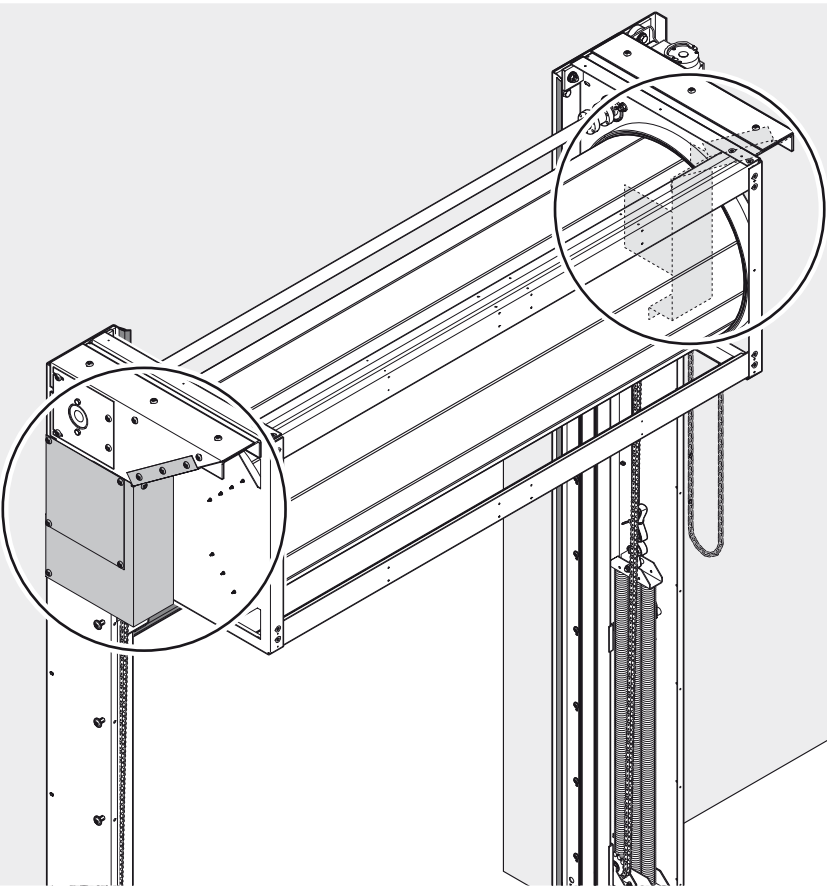
12.1



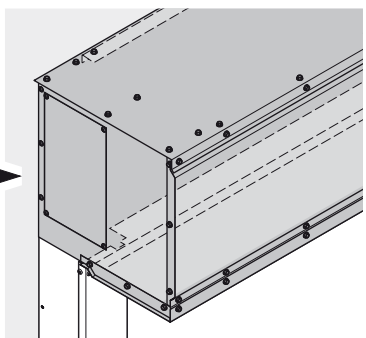
13

13.2  
13.3  
13.4

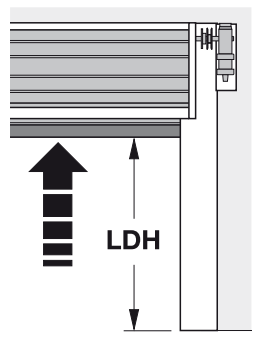
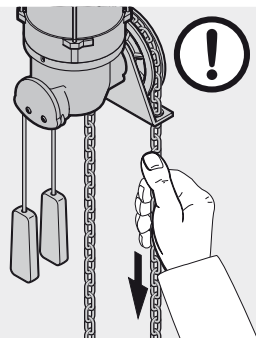
13.2  
13.3



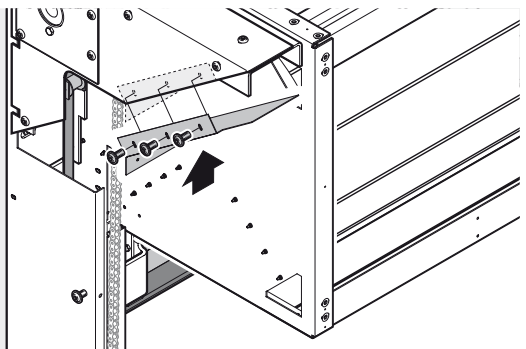
~~13~~



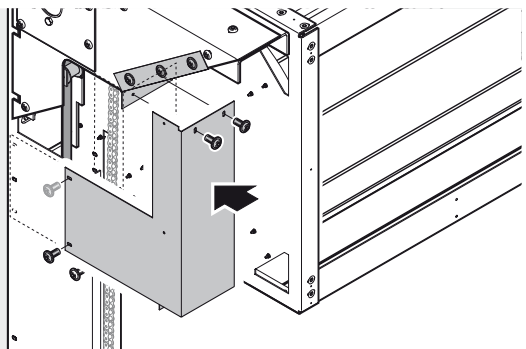
13.1



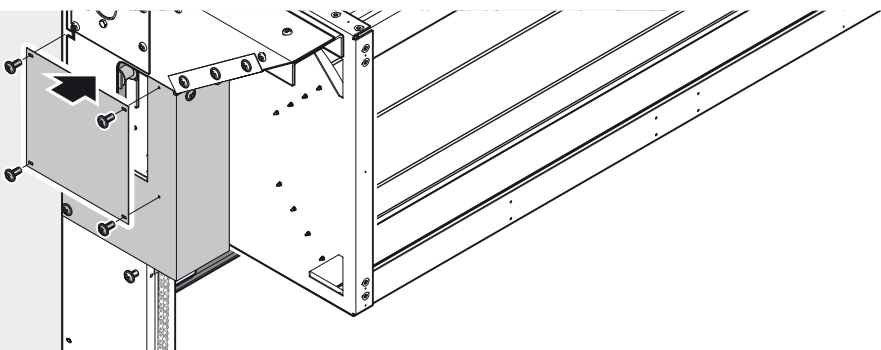
13.2



13.3

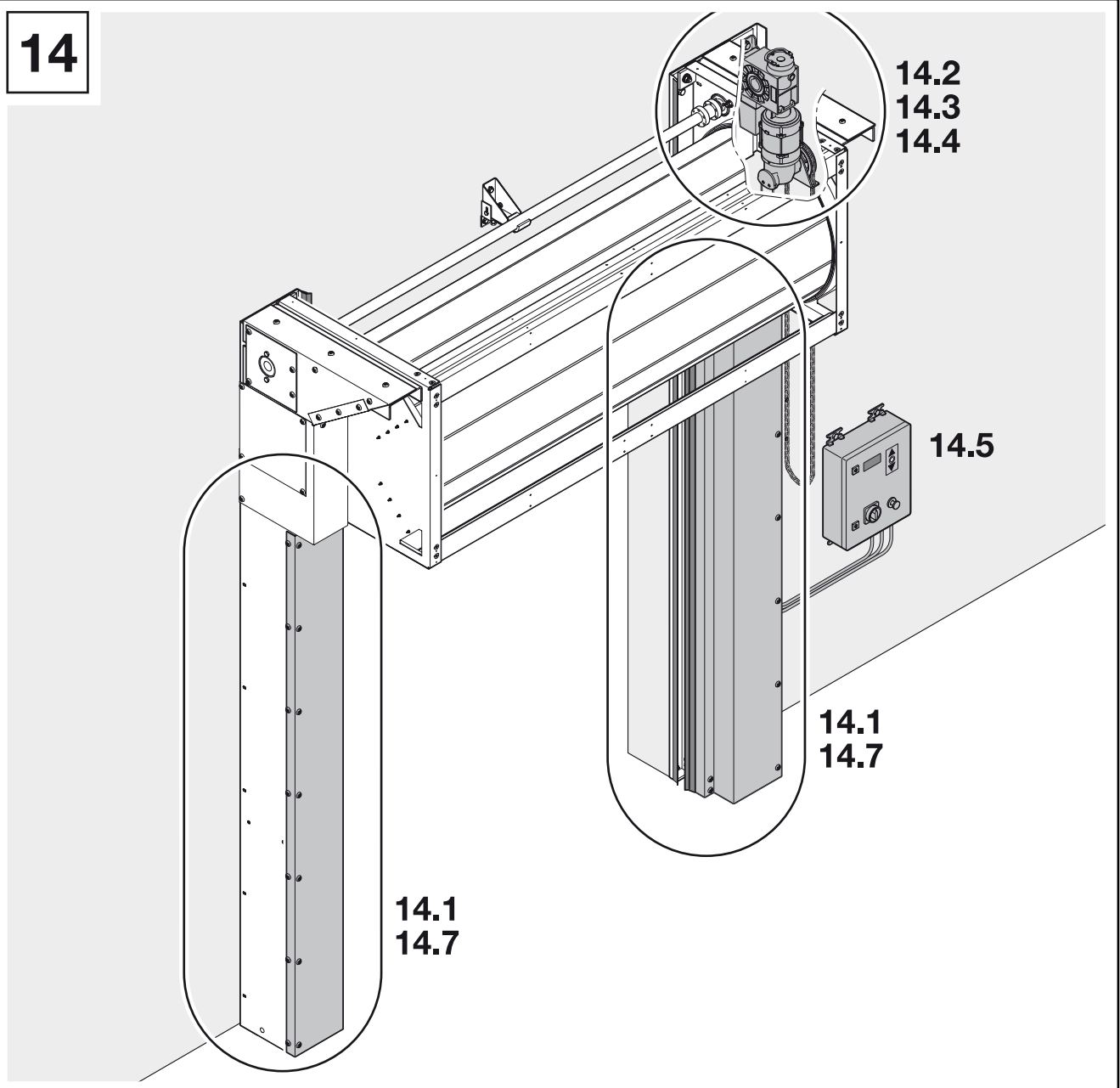


13.4

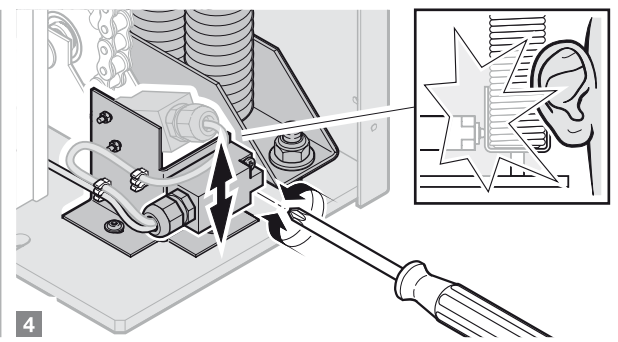
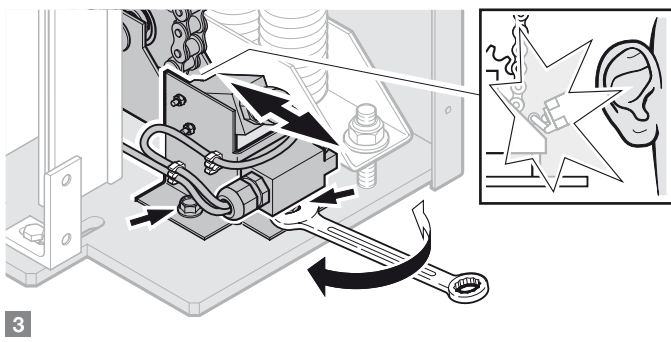
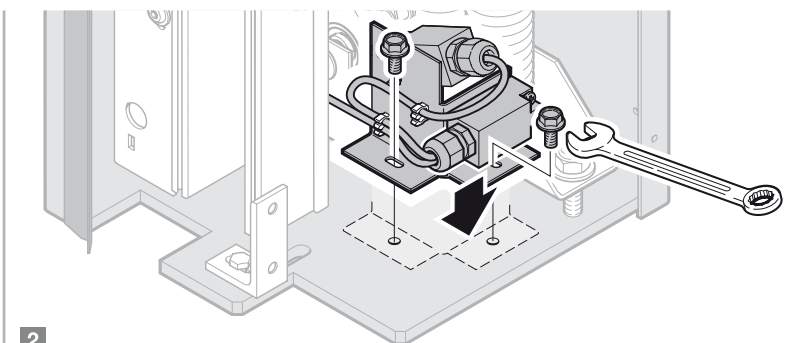
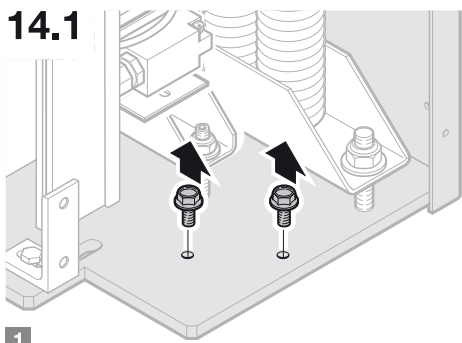




14

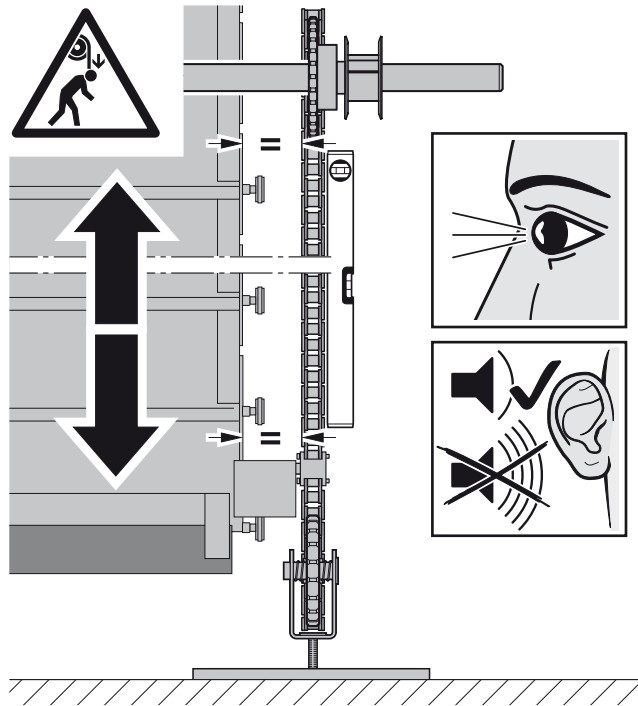
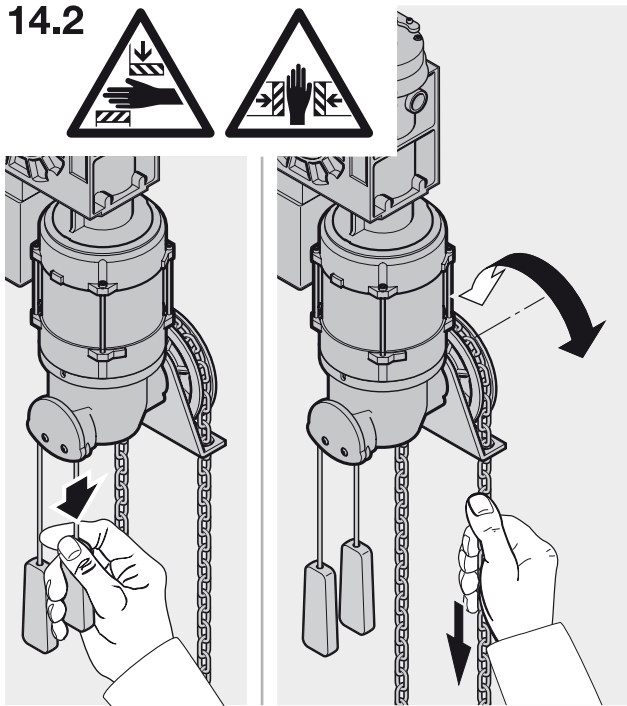


14.1

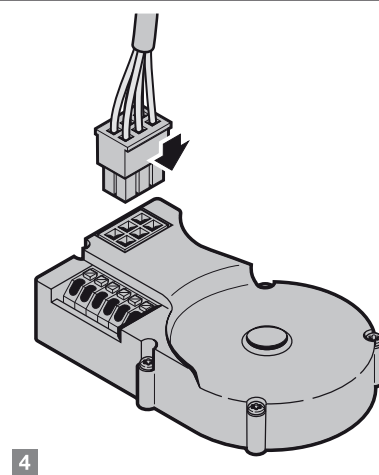
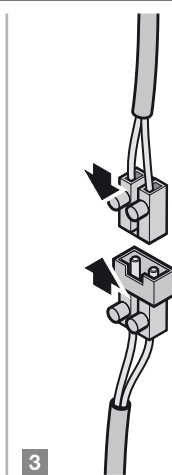
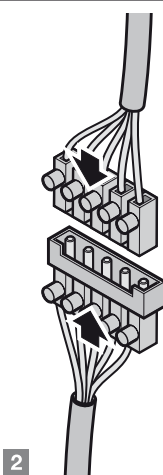
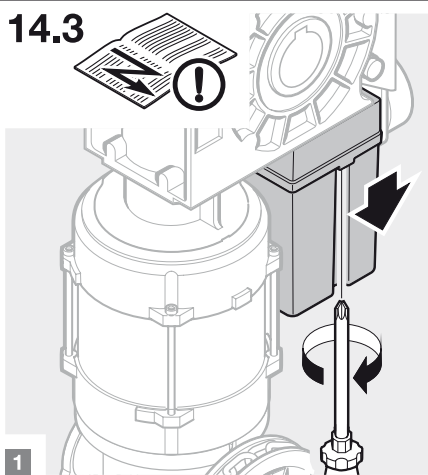




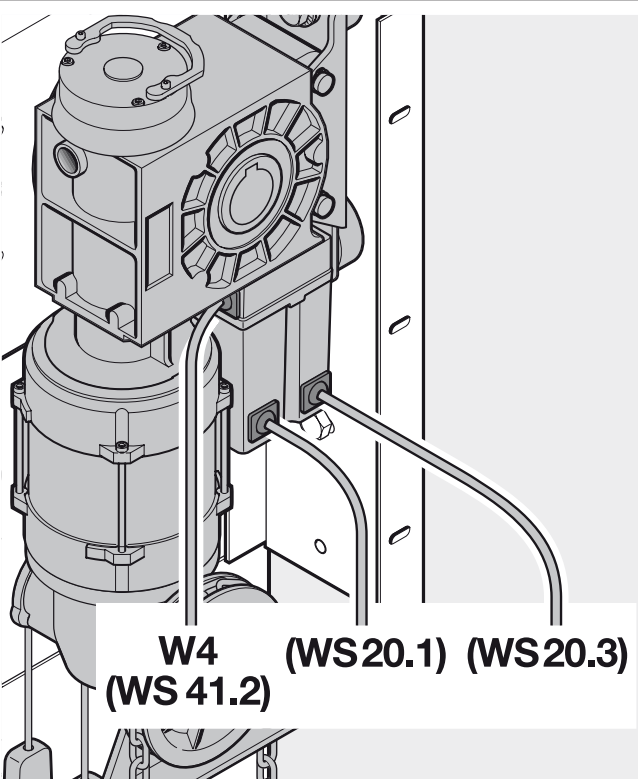
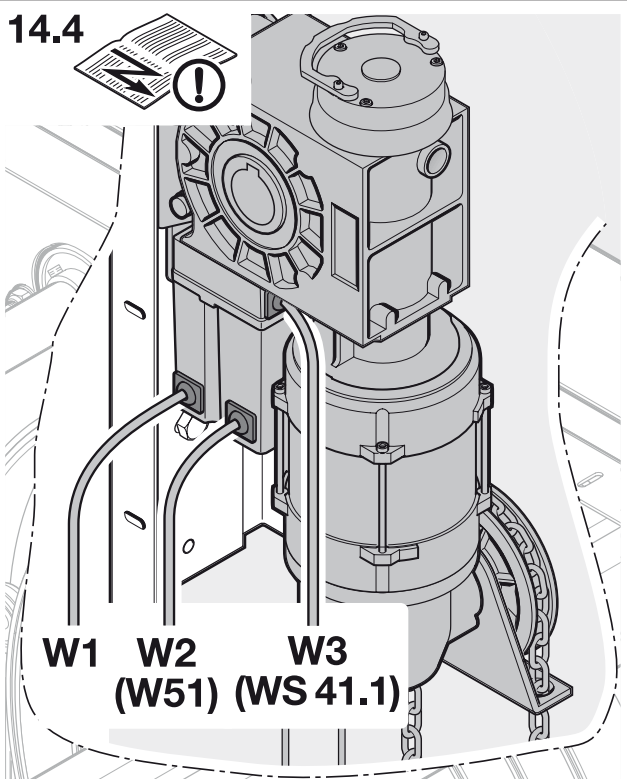
14.2



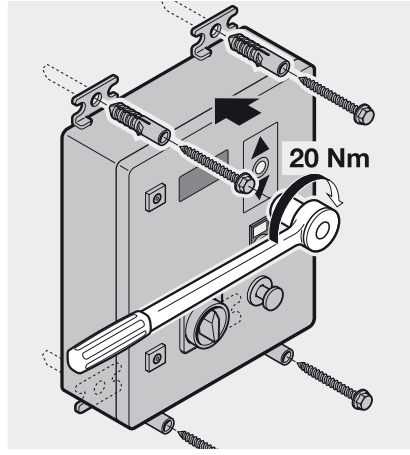
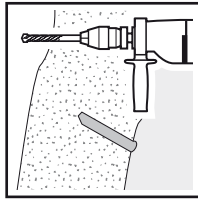
14.3



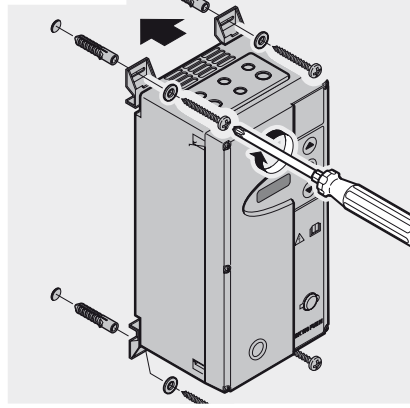
14.4



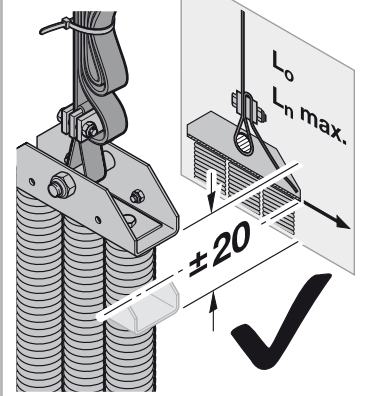
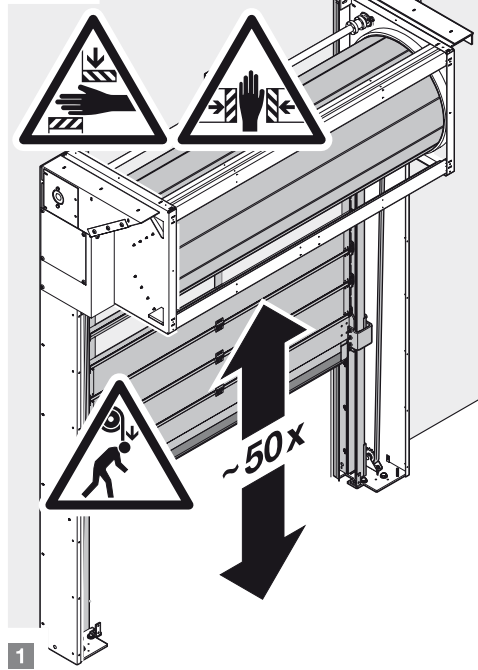
14.5a



14.5b



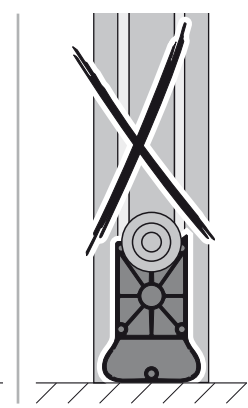
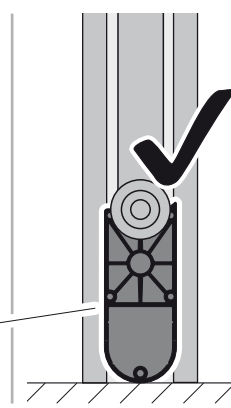
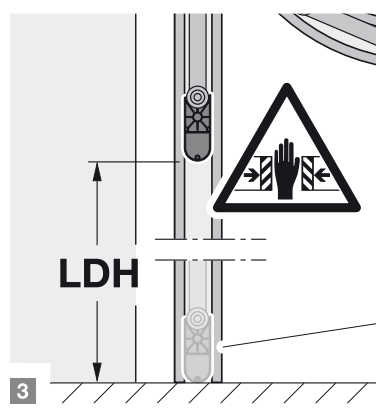
14.6



> ±20 → 11.4  
1 2

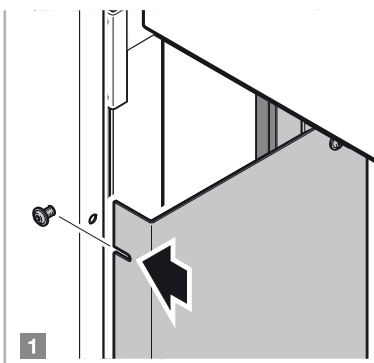
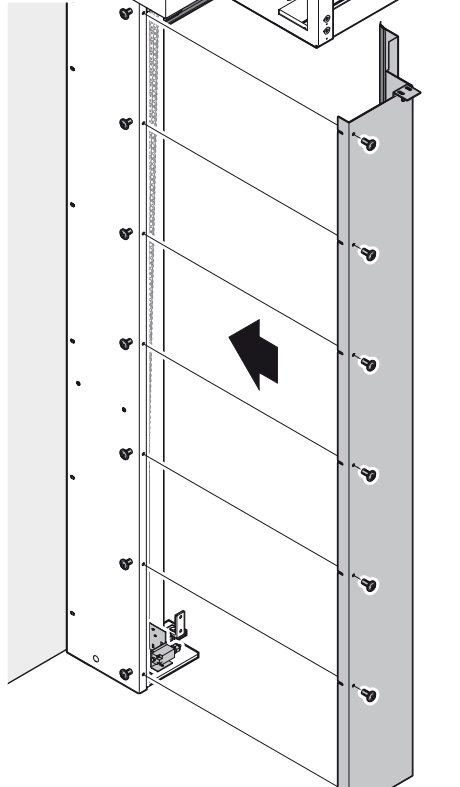
1

2

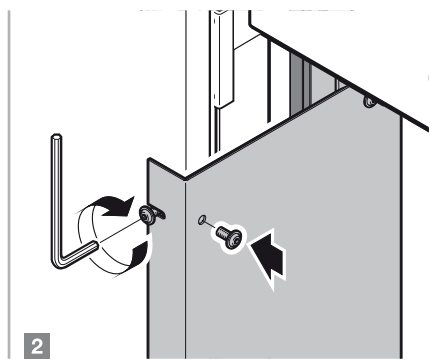


3

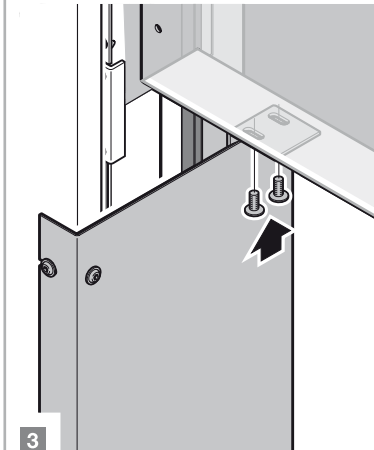
14.7



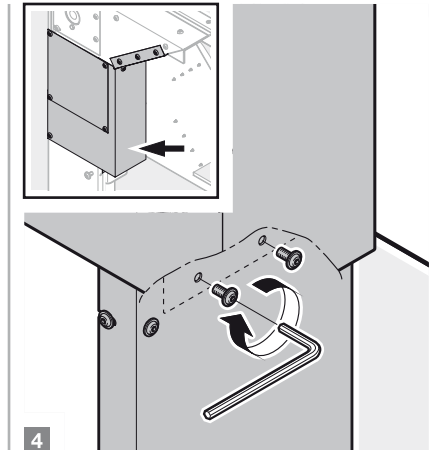
1



2

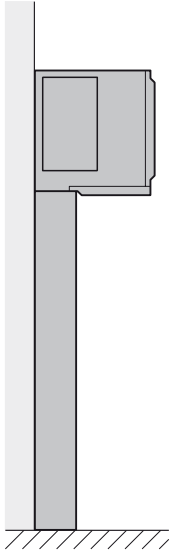
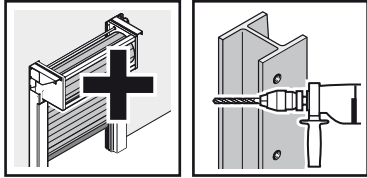


3



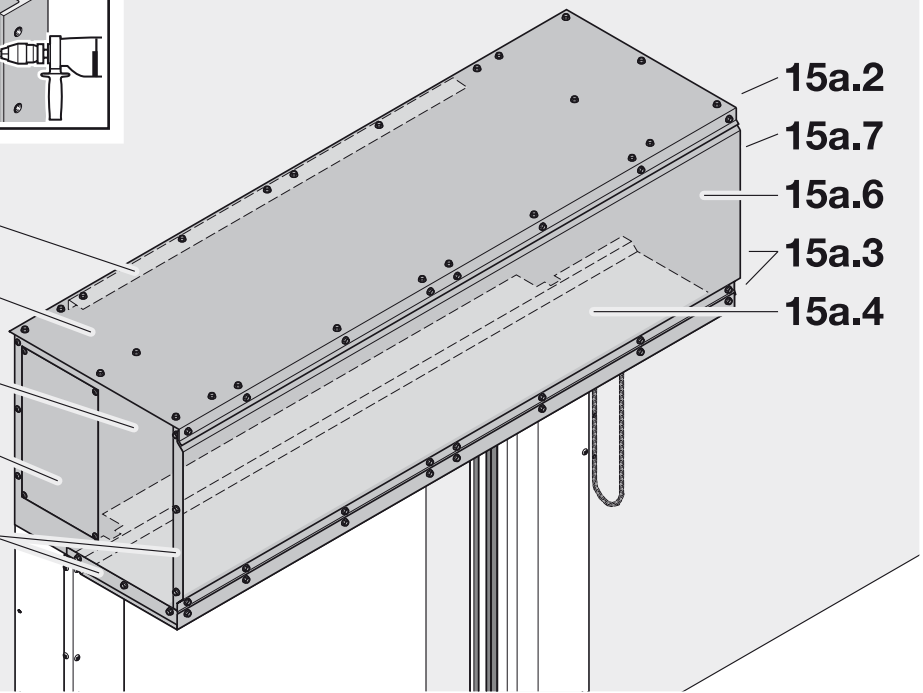
4

15a

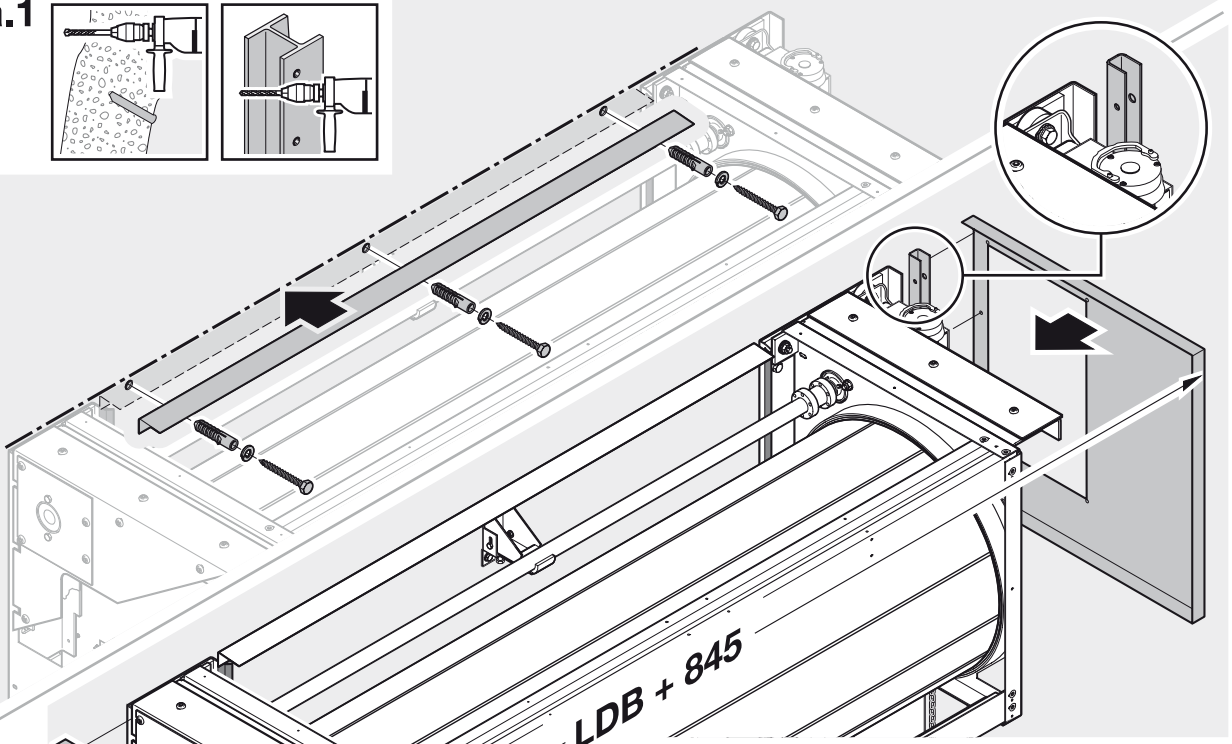
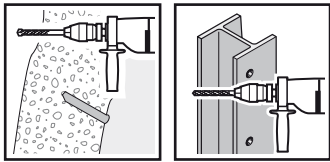


15a.1  
15a.5  
15a.2  
15a.7  
15a.3

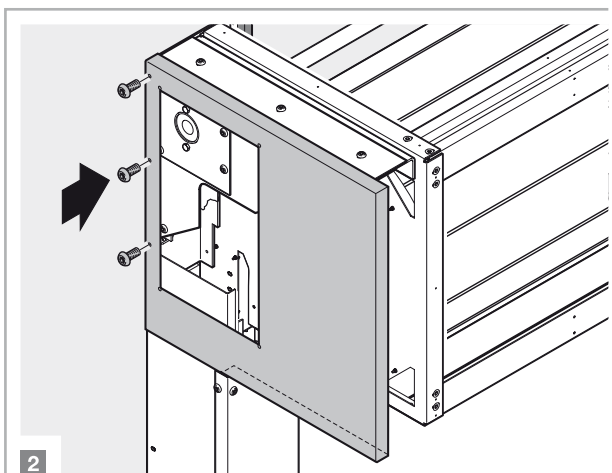
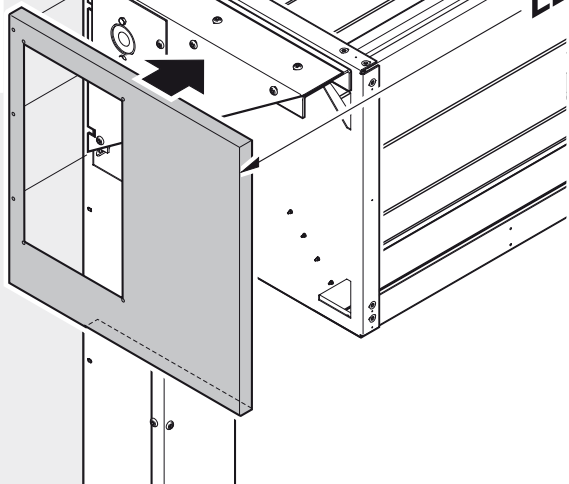
15a.2  
15a.7  
15a.6  
15a.3  
15a.4



15a.1



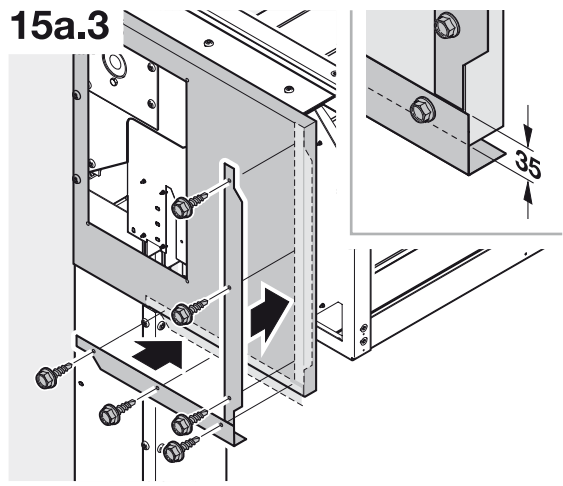
15a.2



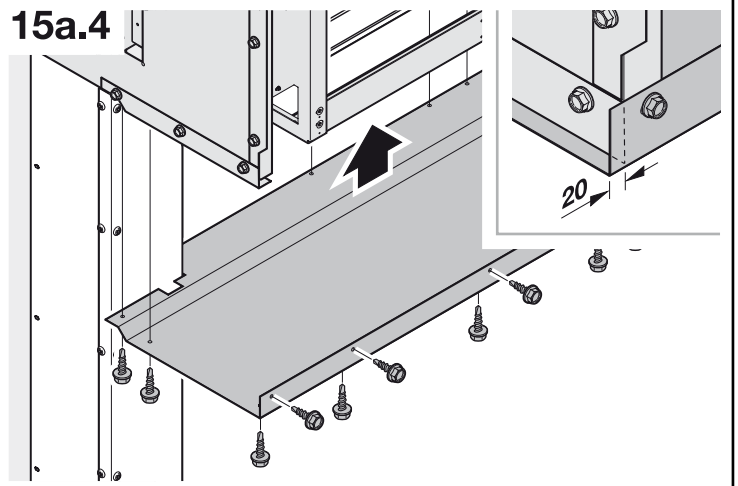
1

2

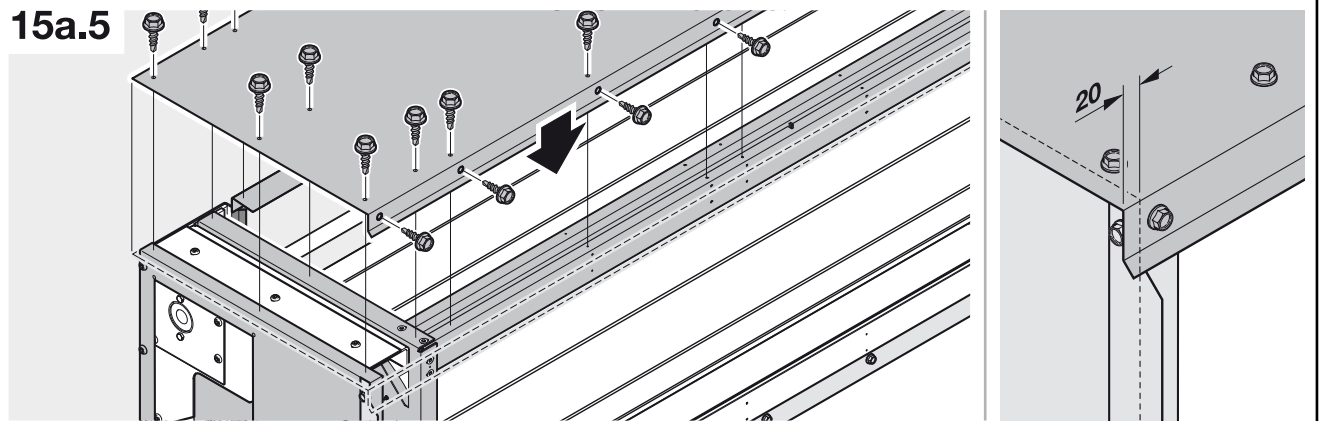
15a.3



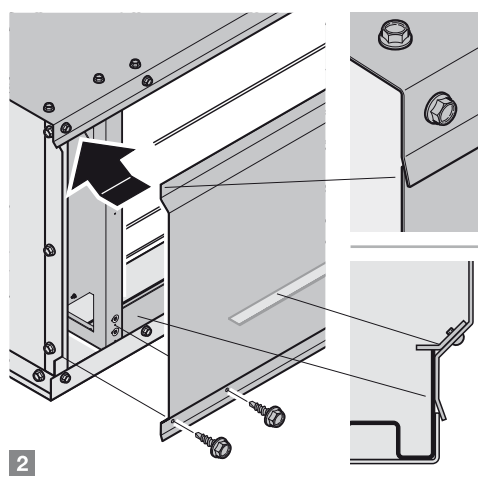
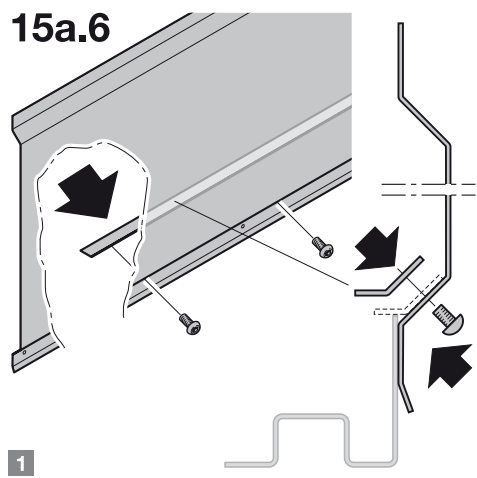
15a.4



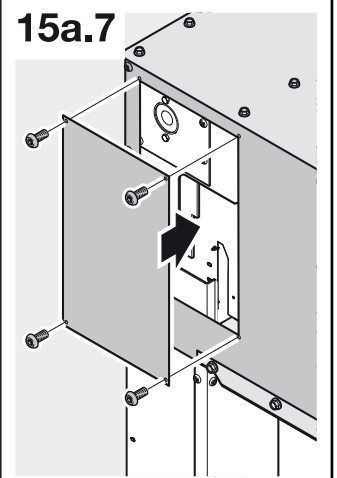
15a.5



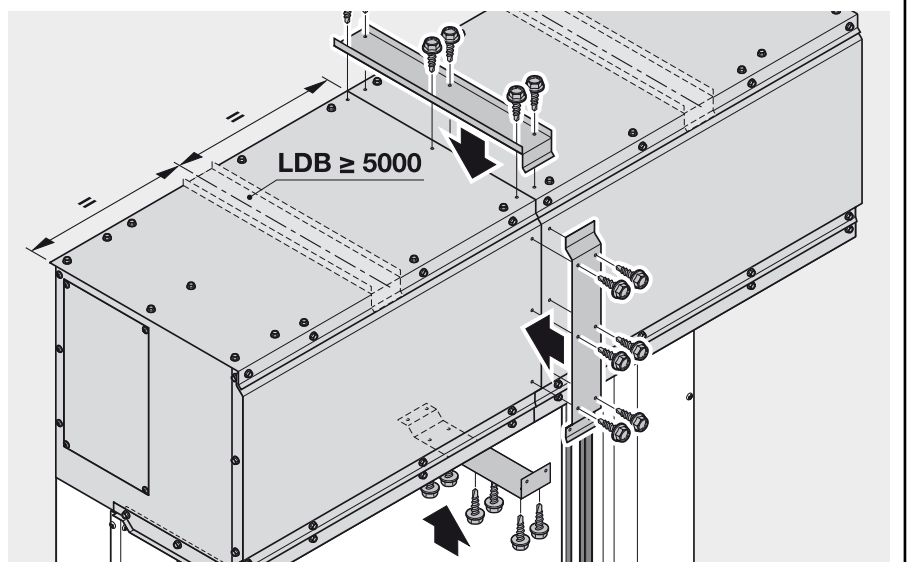
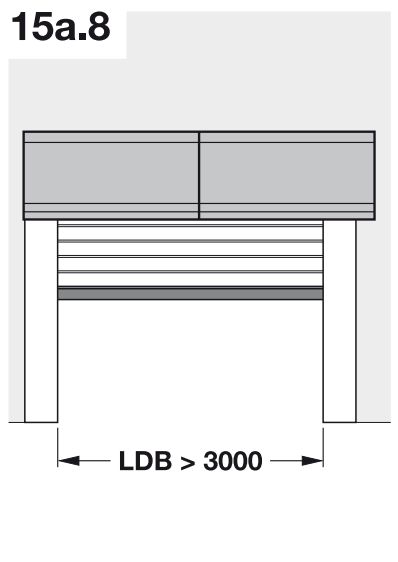
15a.6



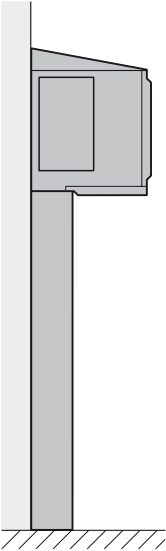
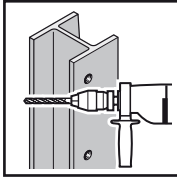
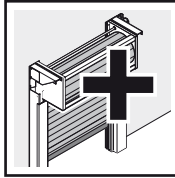
15a.7



15a.8

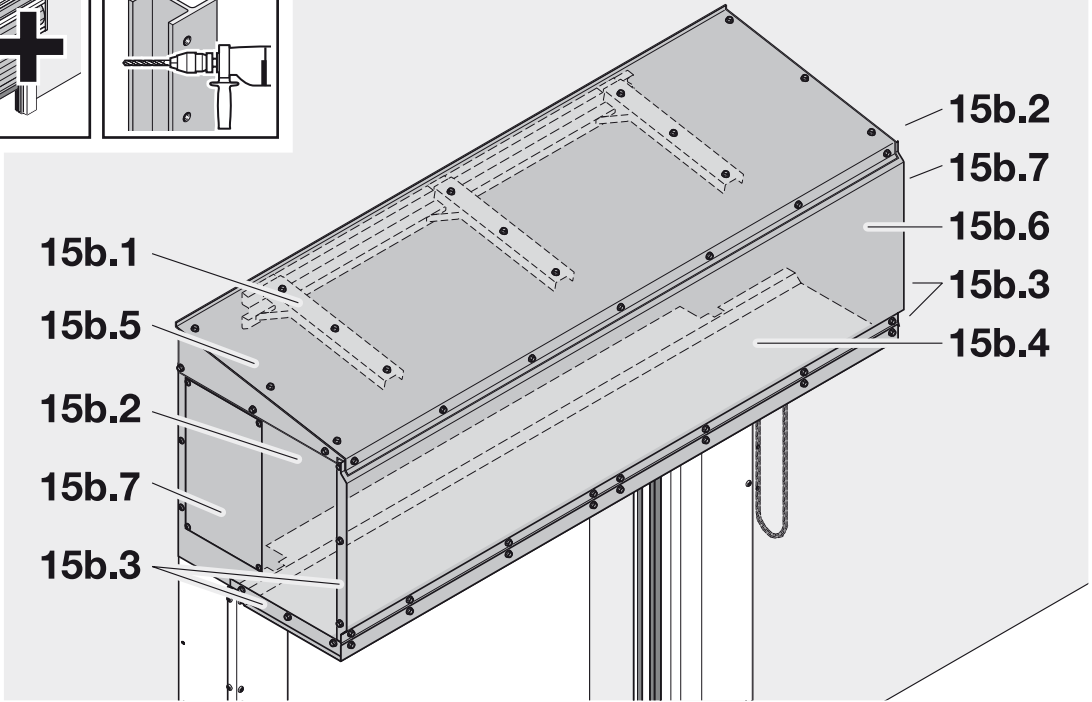


**15b**

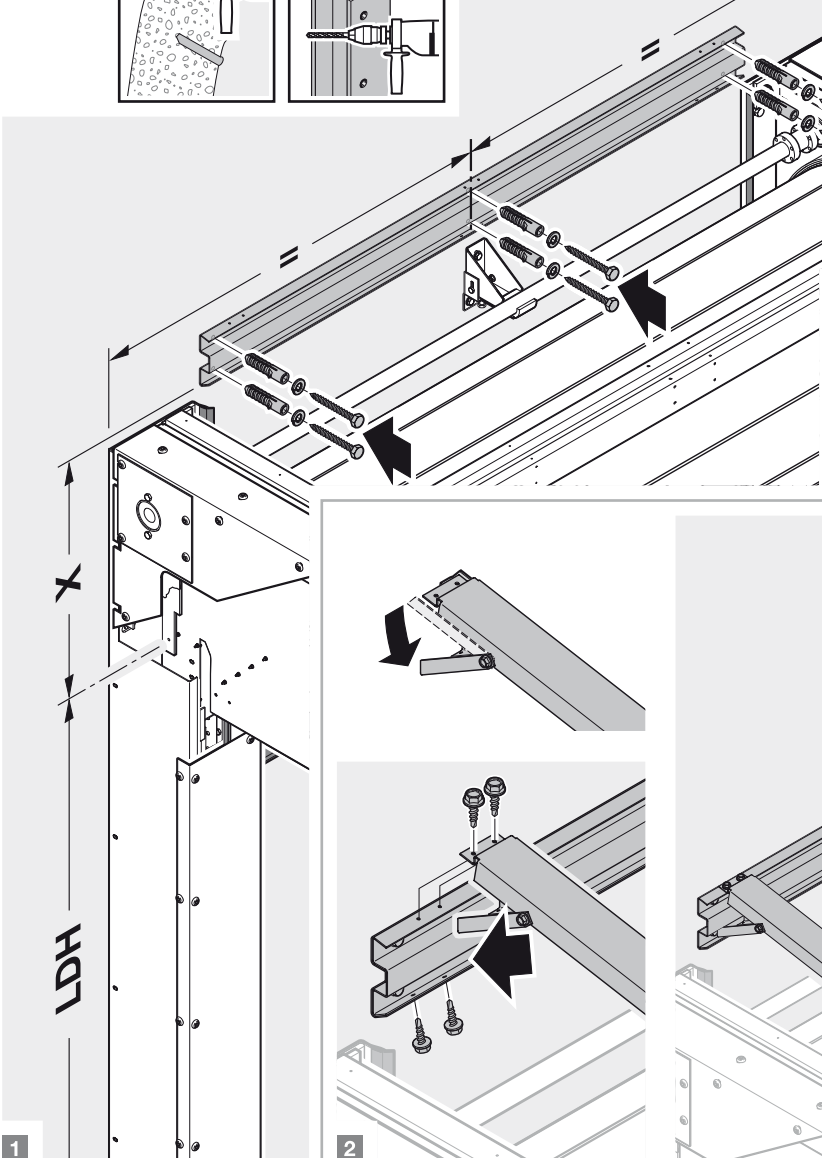
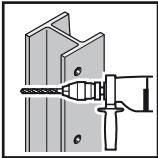
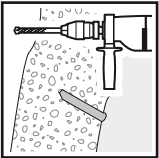


15b.1  
15b.5  
15b.2  
15b.7  
15b.3

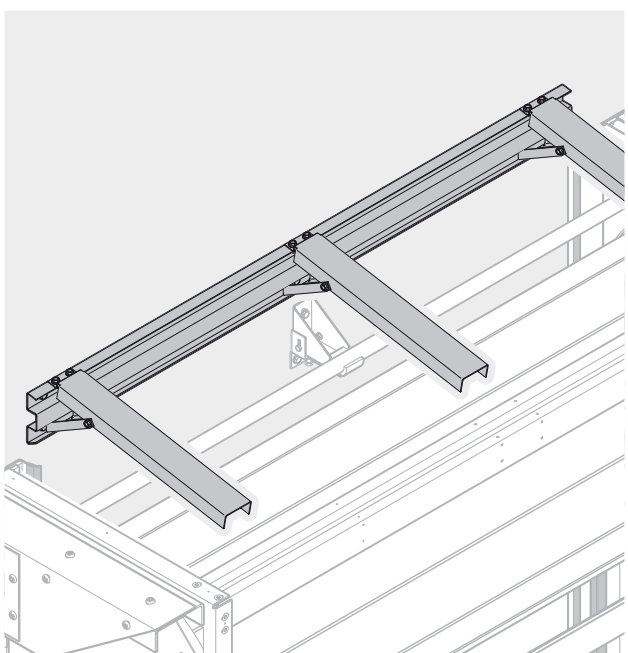
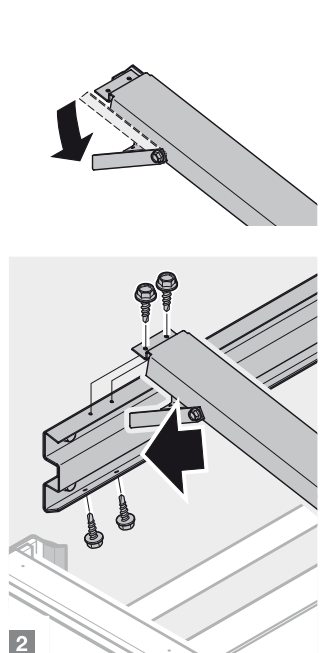
15b.2  
15b.7  
15b.6  
15b.3  
15b.4



**15b.1**

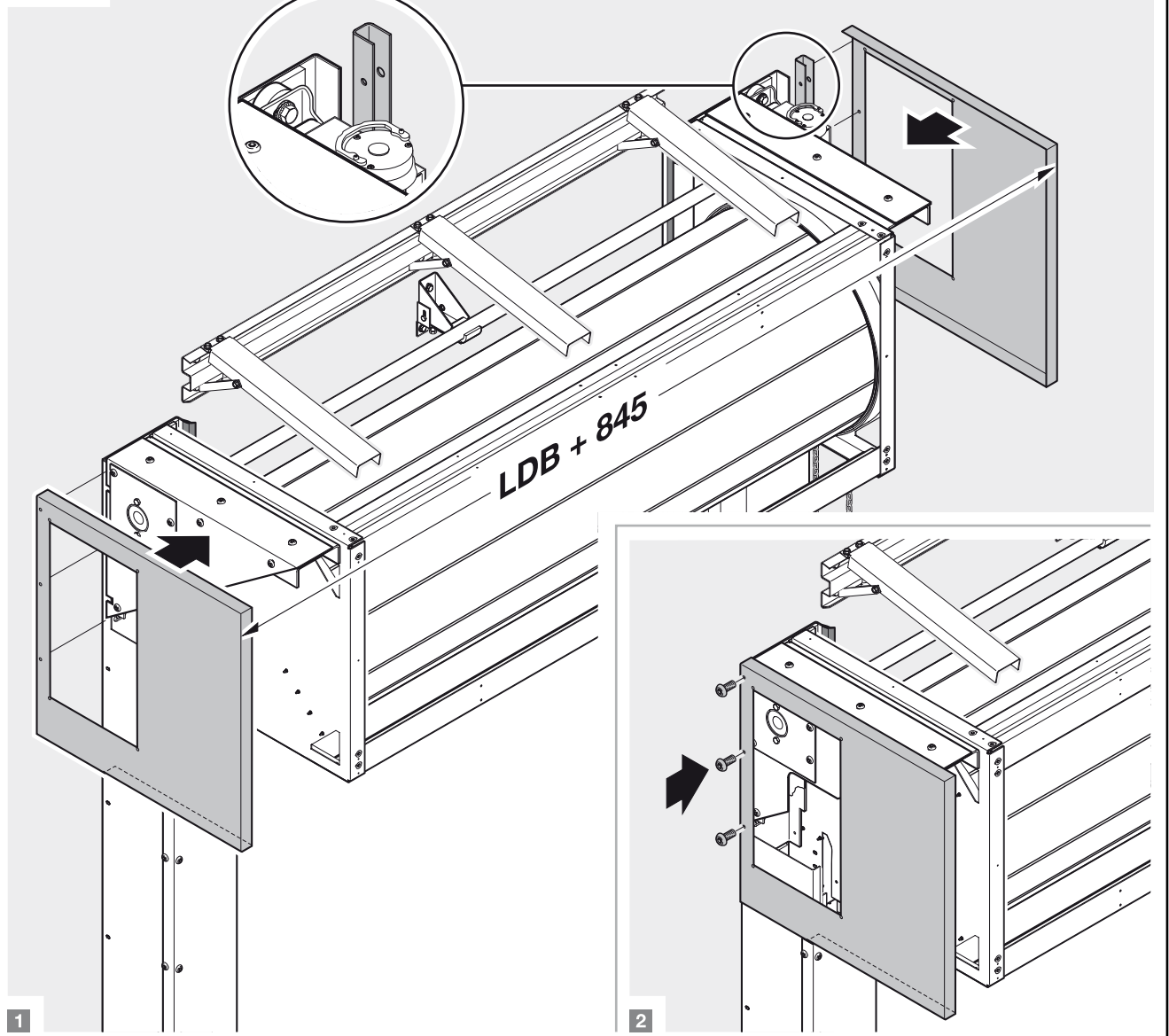


	X
LDH ≤ 5000	865
LDH > 5000	915

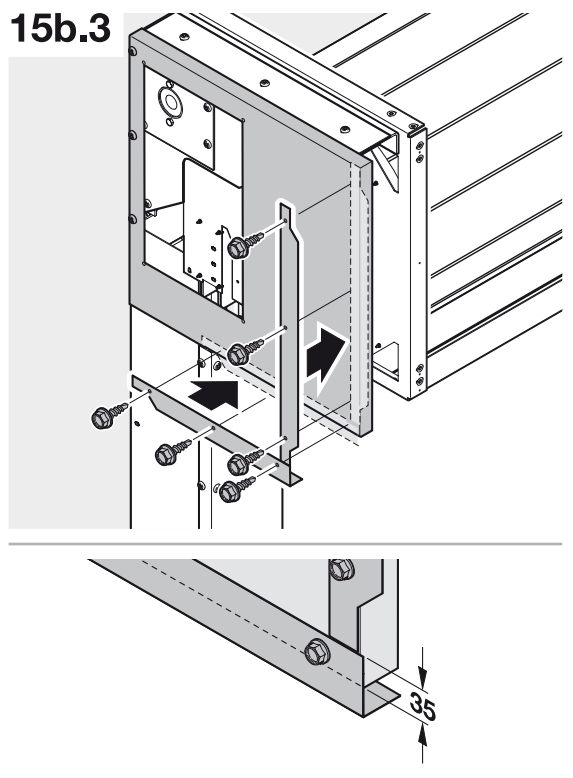




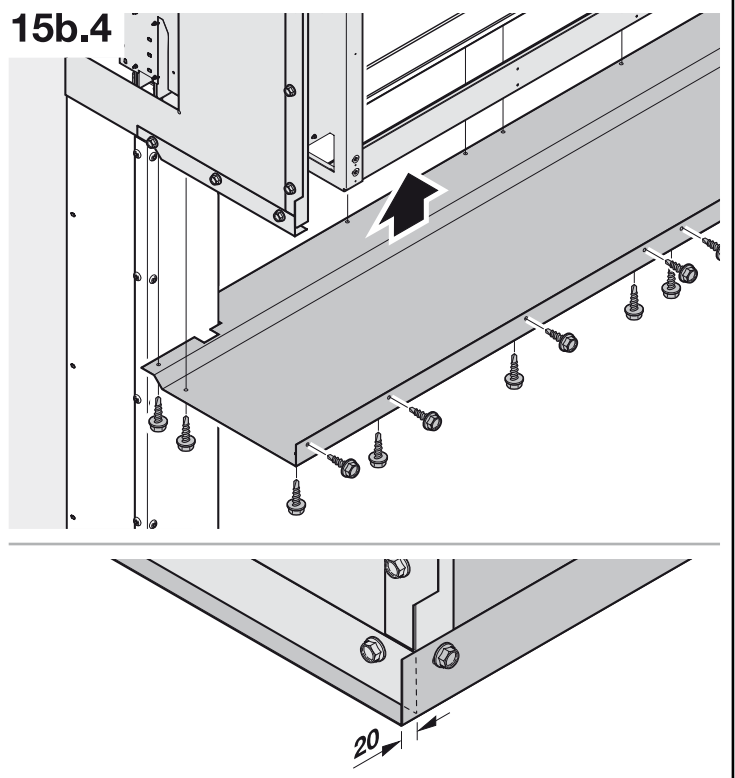
15b.2



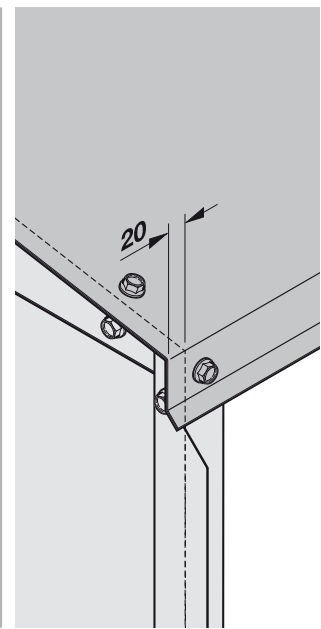
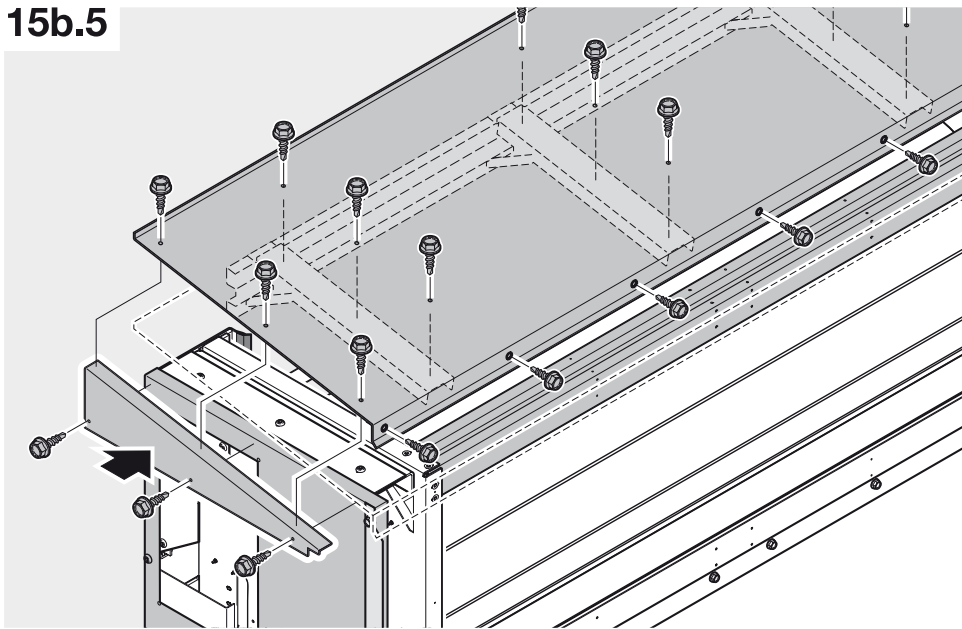
15b.3



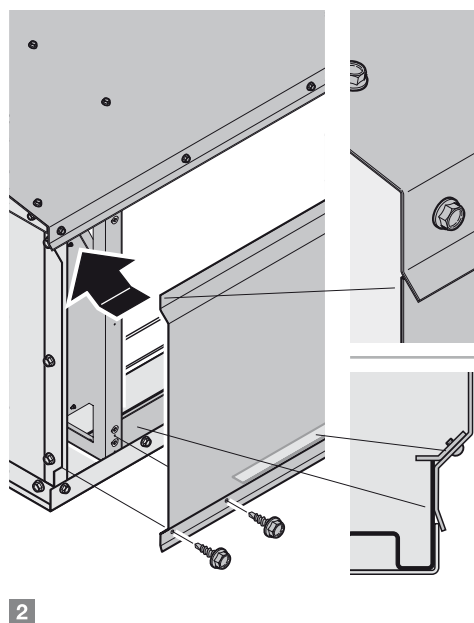
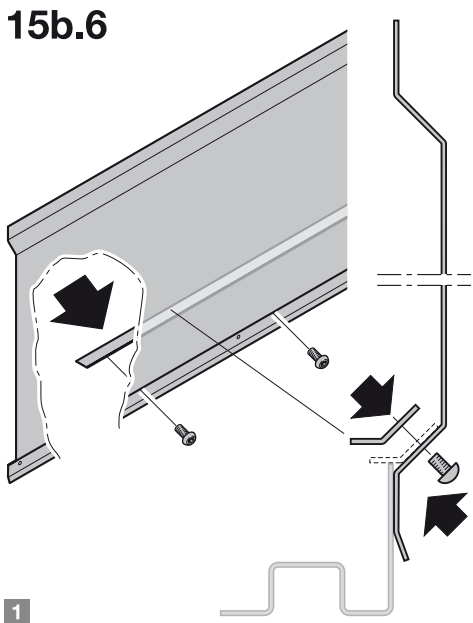
15b.4



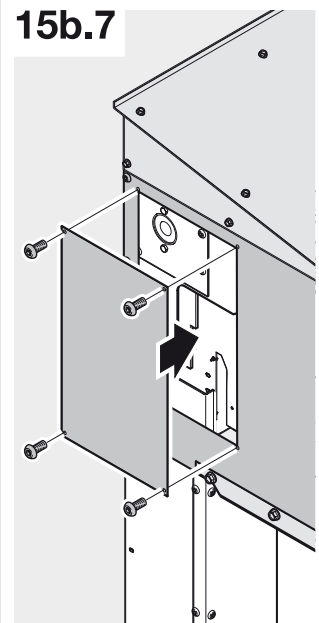
15b.5



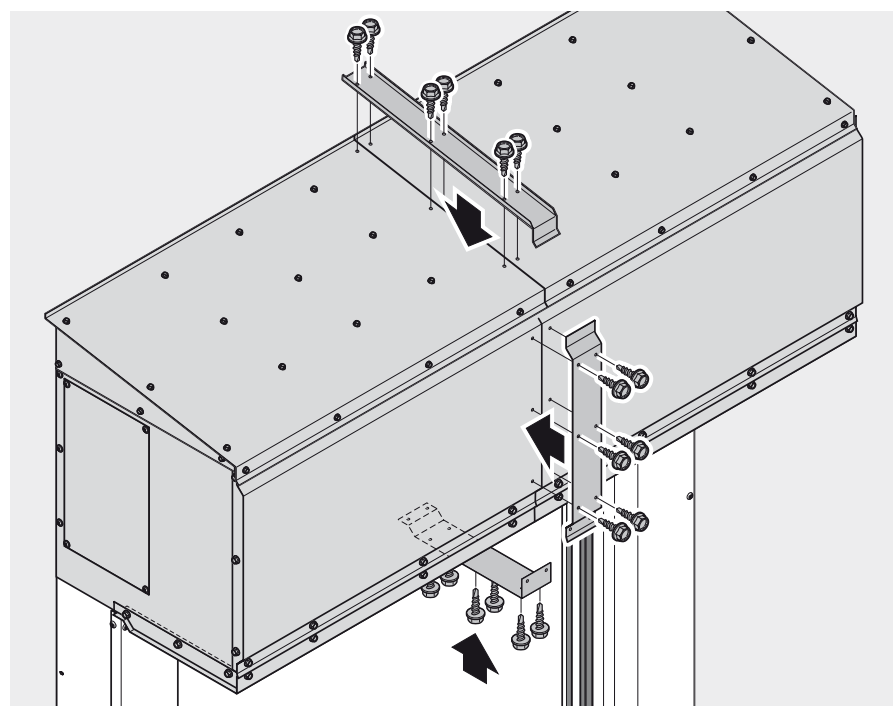
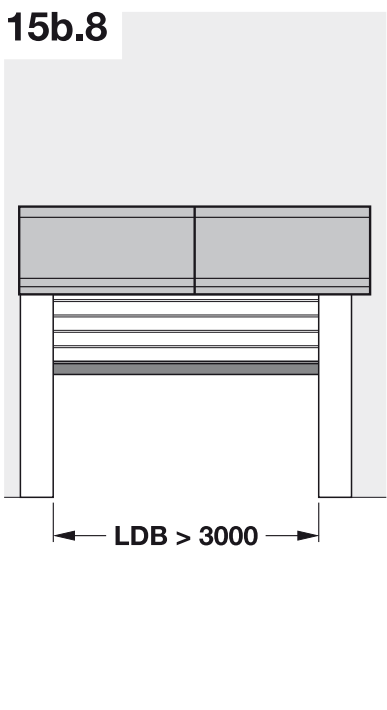
15b.6

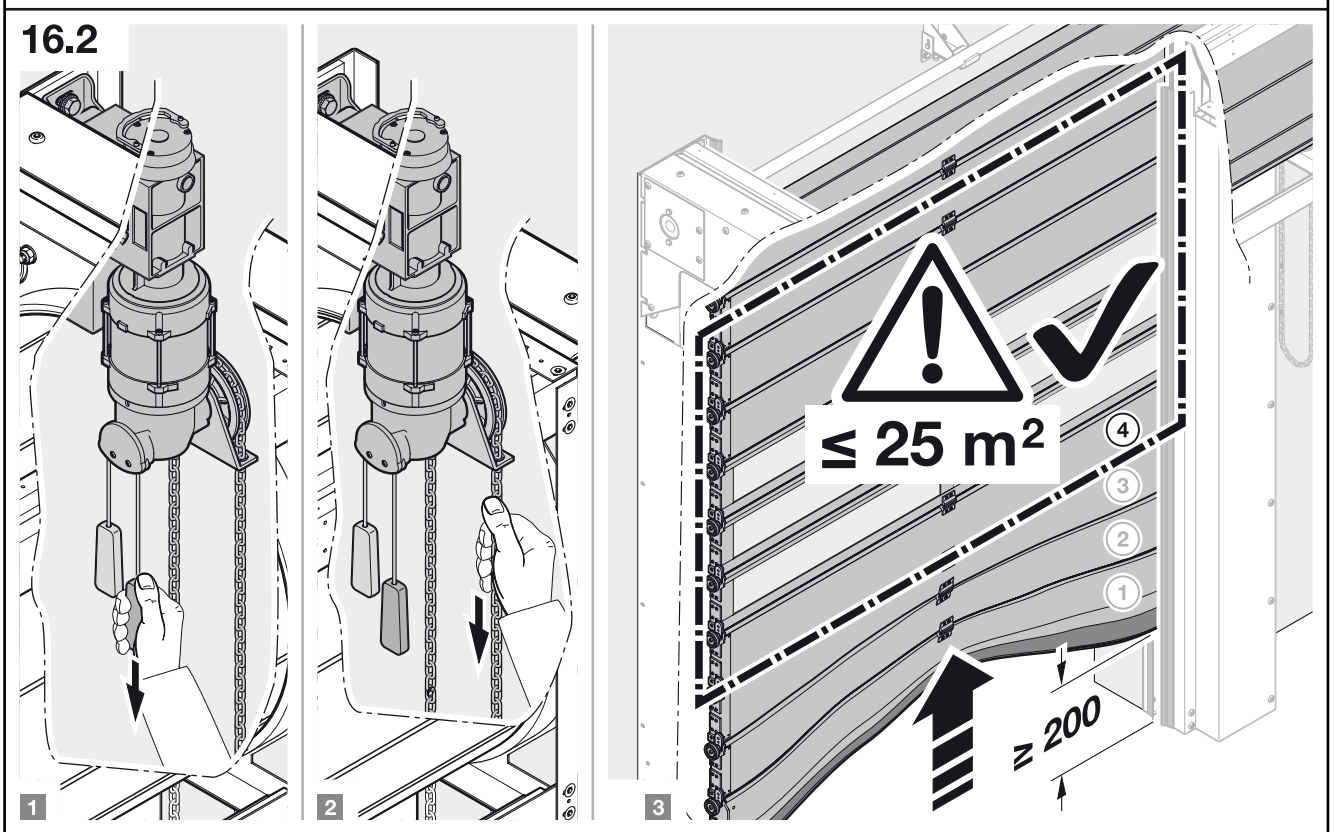
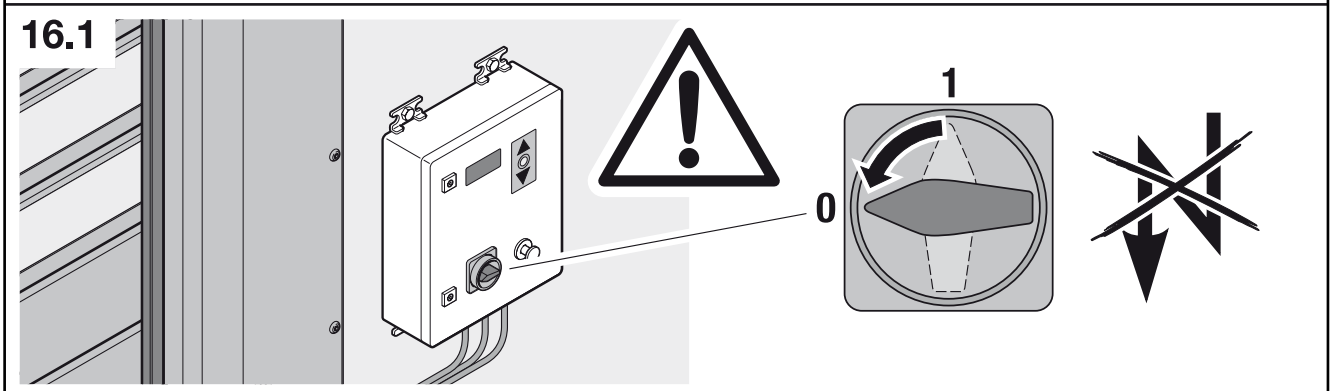
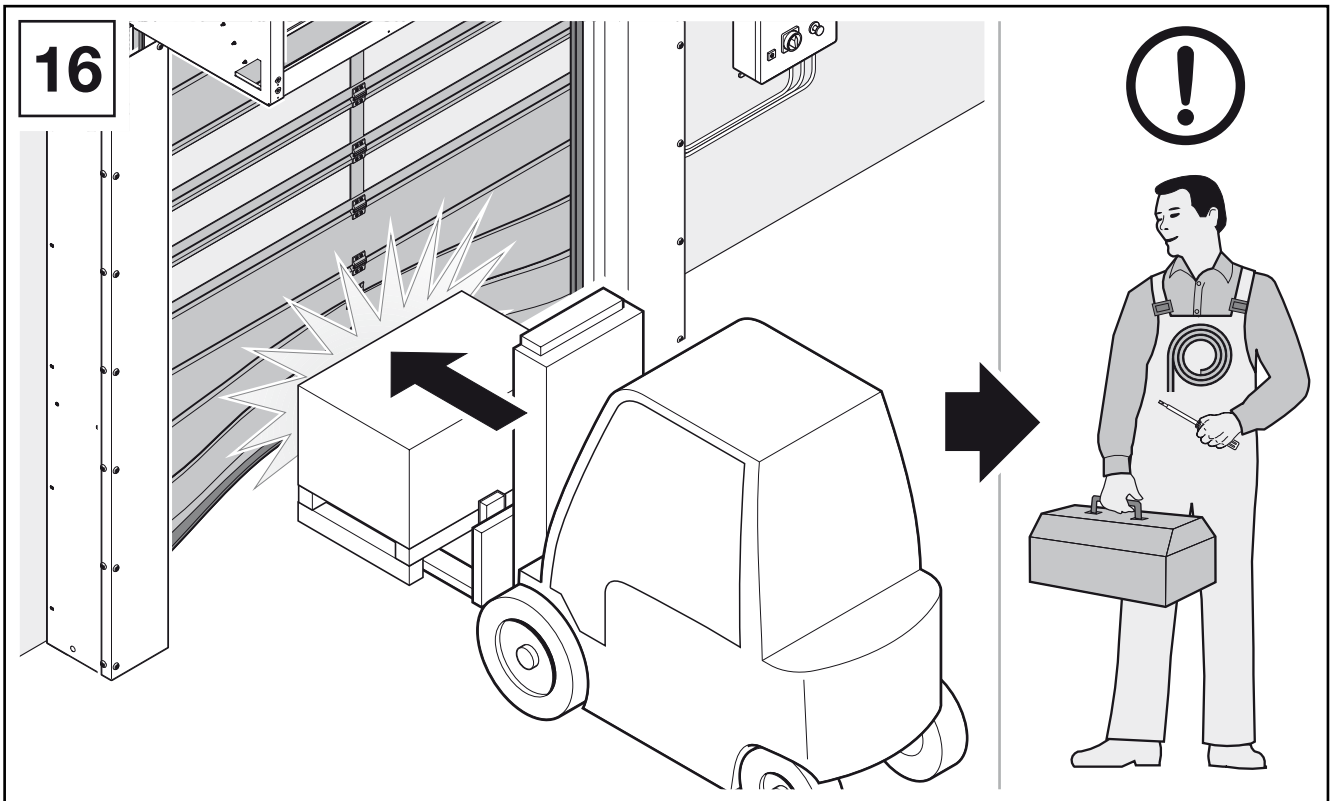


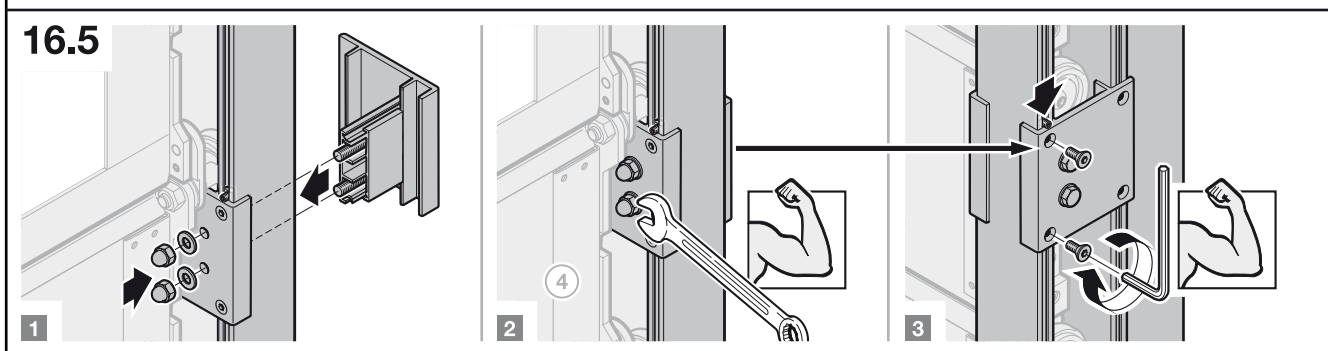
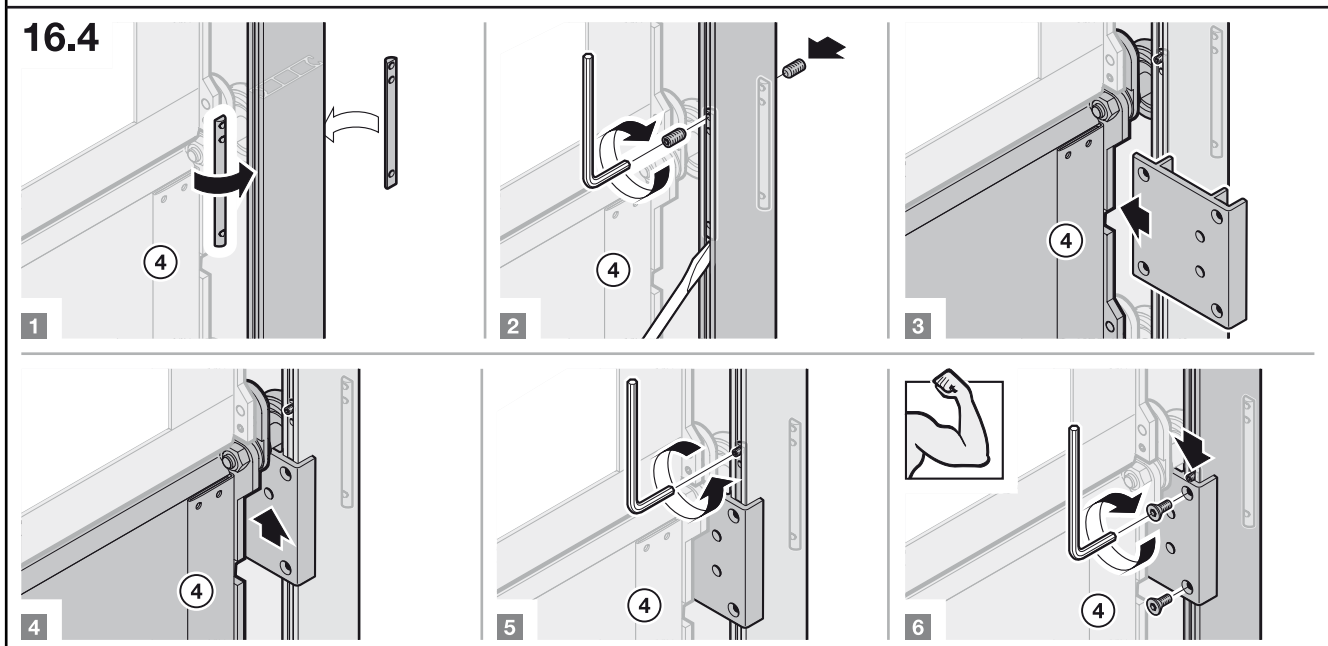
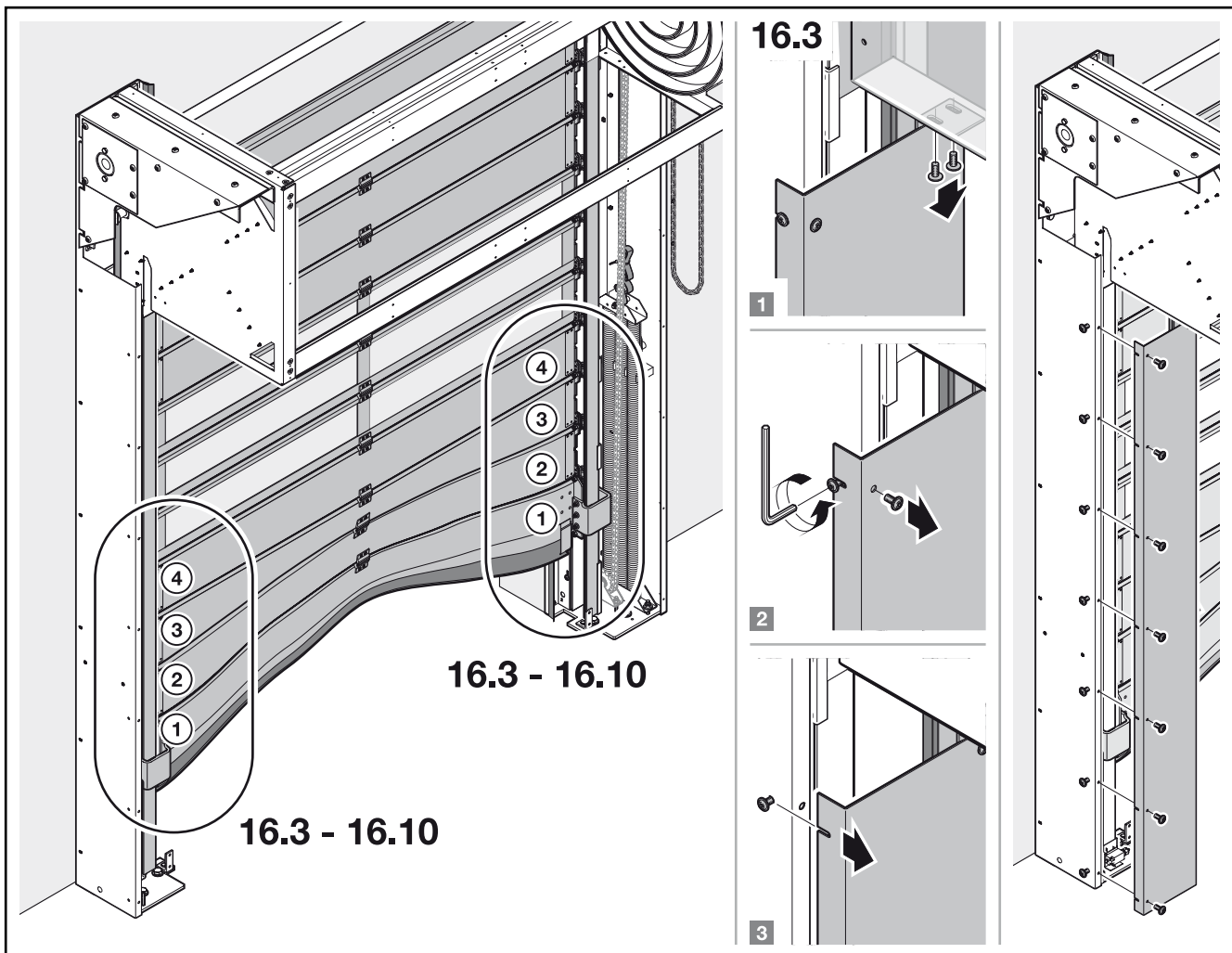
15b.7



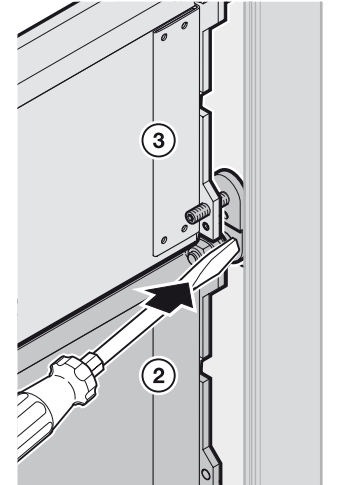
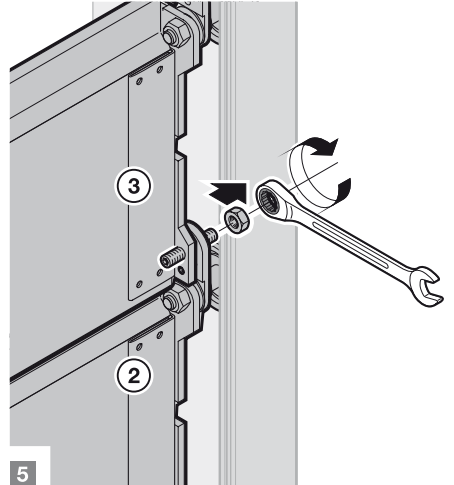
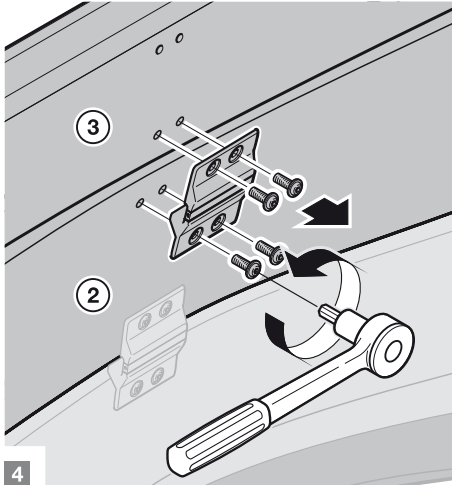
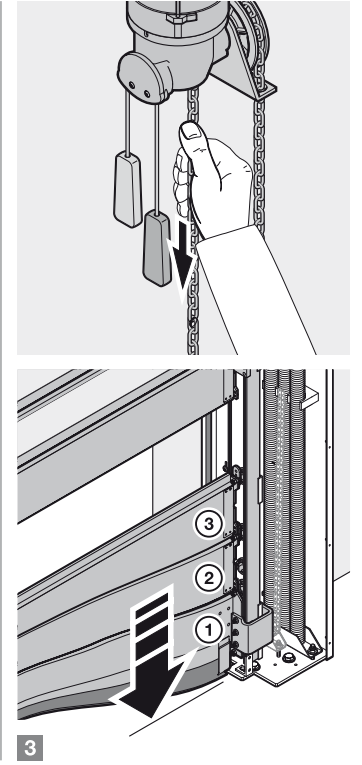
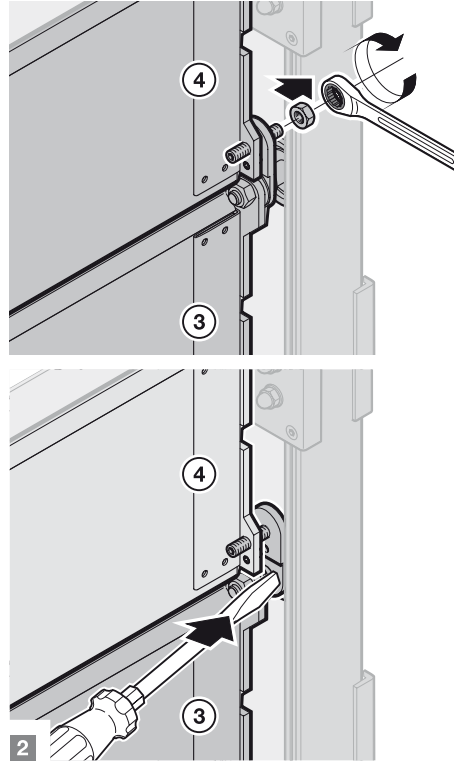
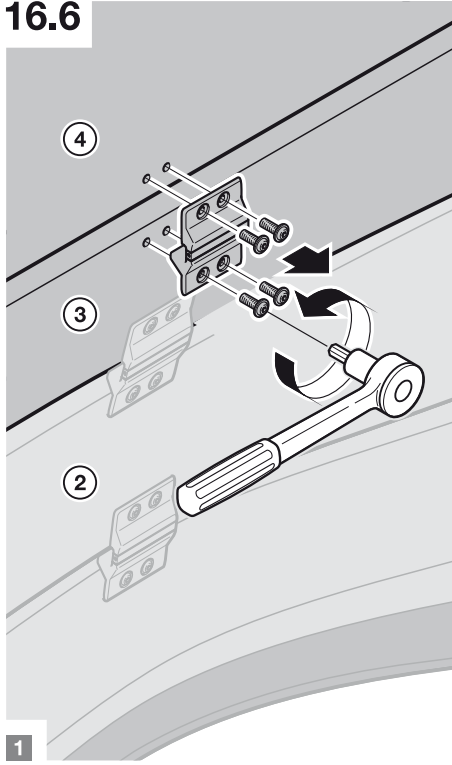
15b.8



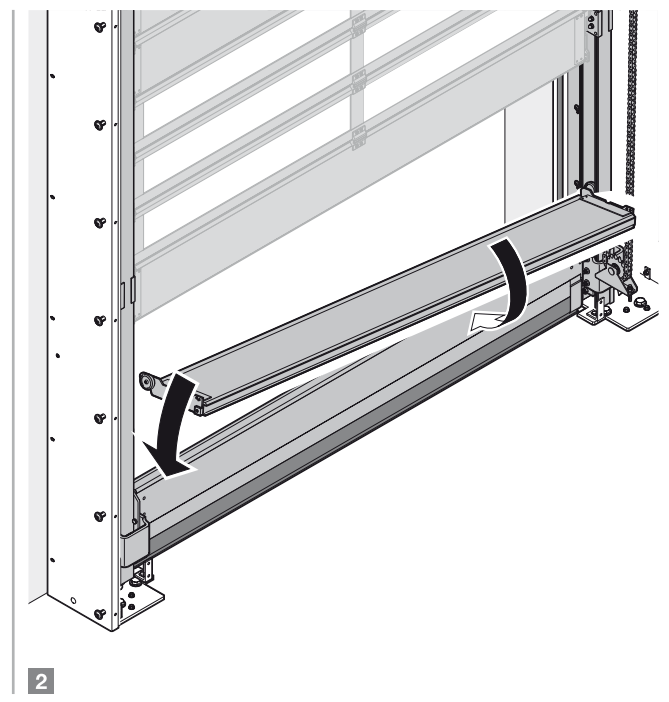
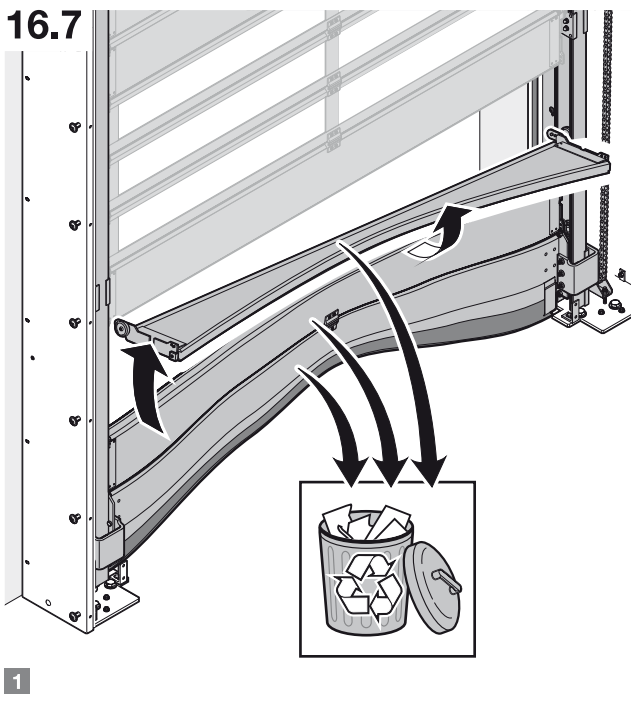




# 16.6

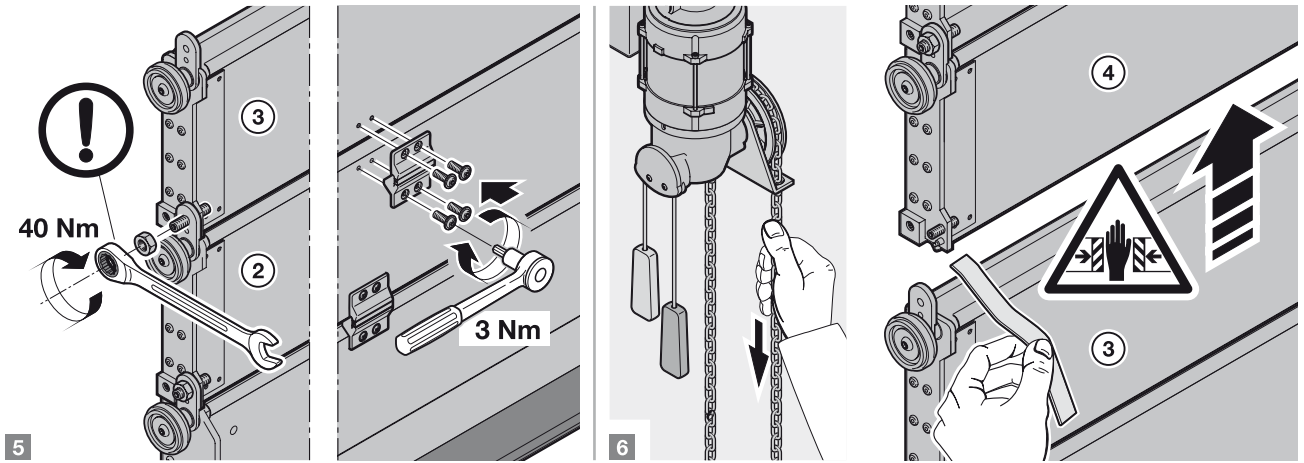
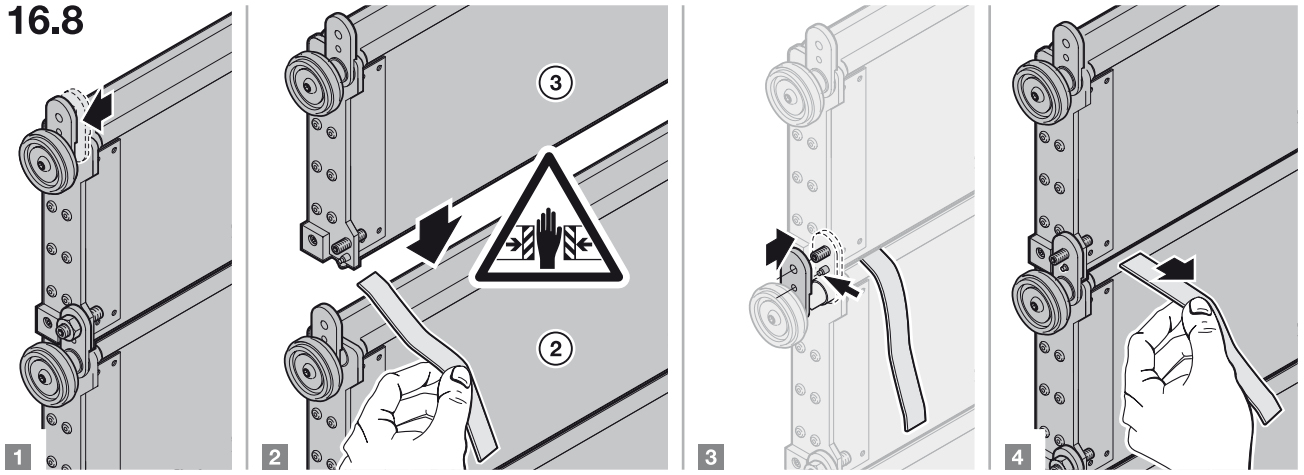


# 16.7

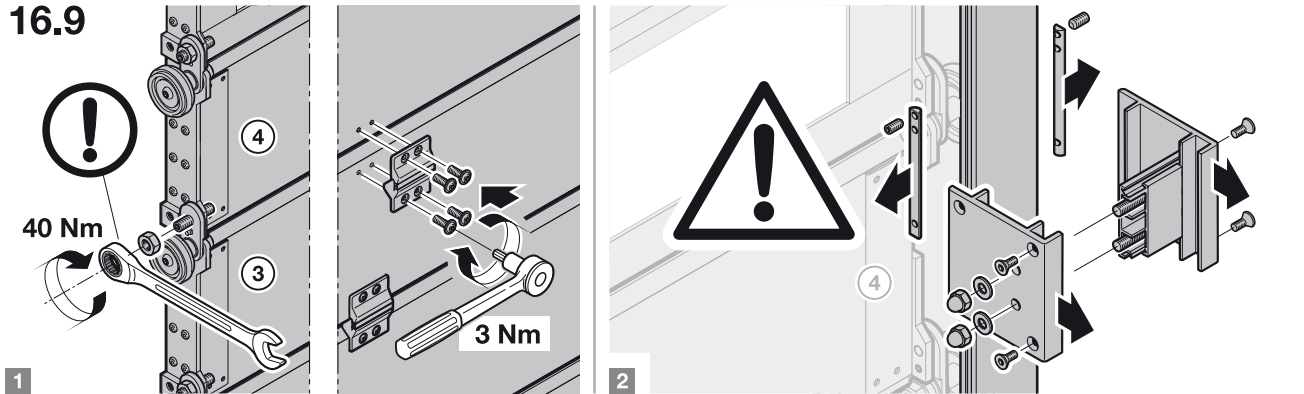




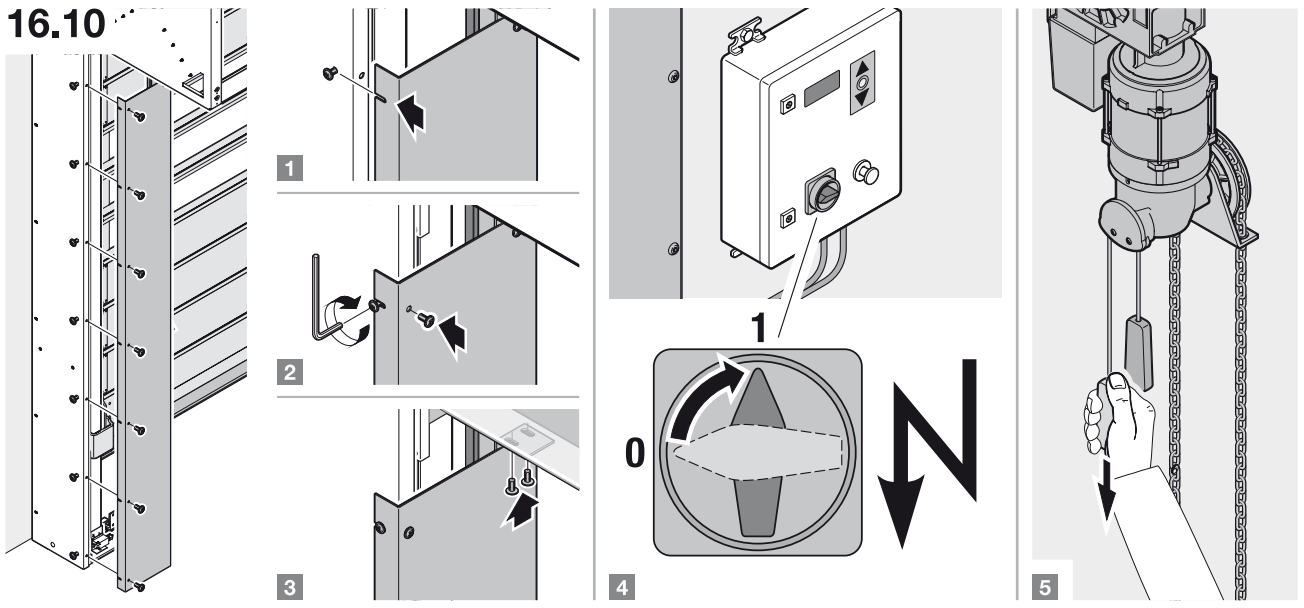
### 16.8

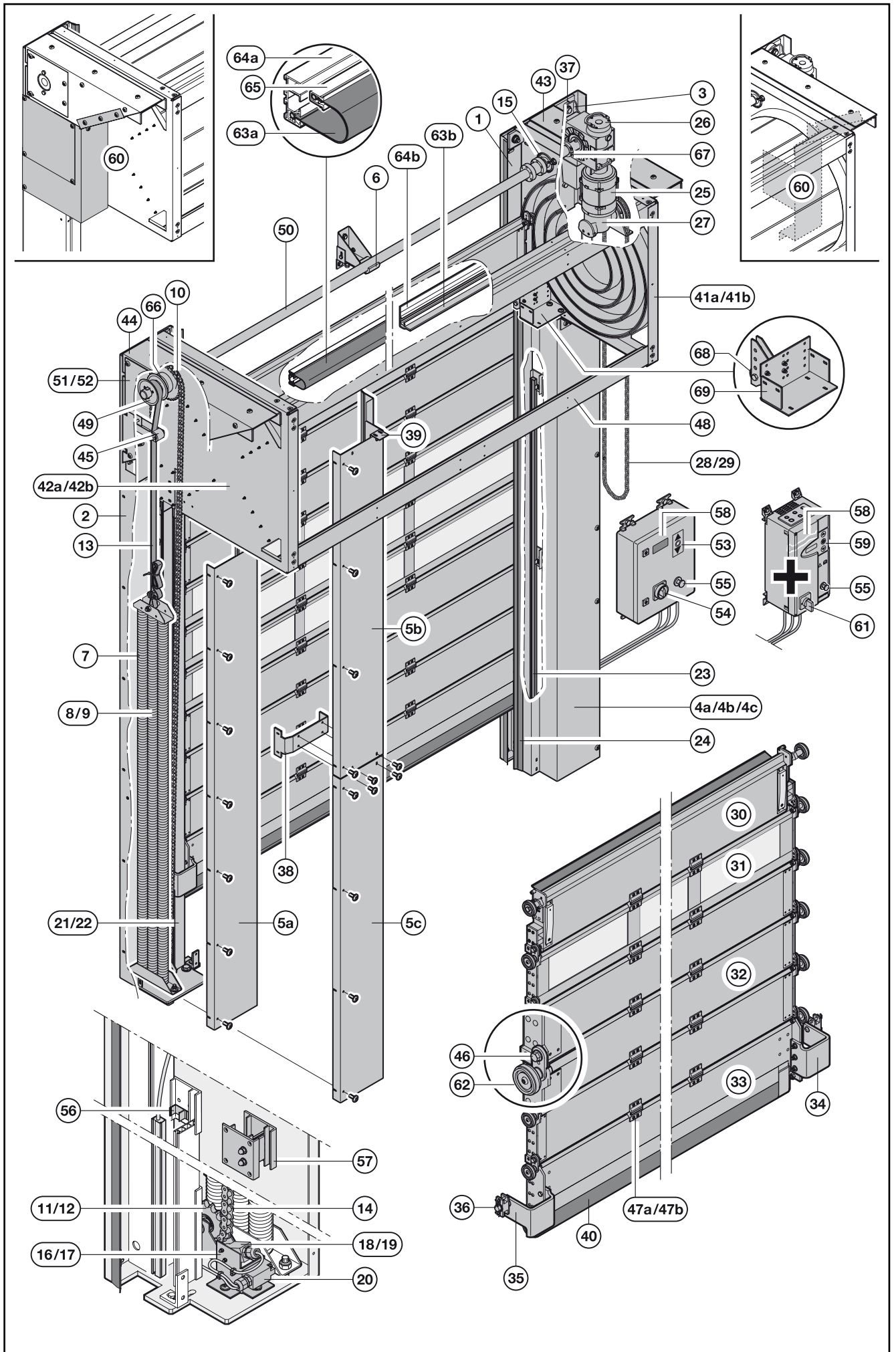


### 16.9



### 16.10









Dissemination as well as duplication of this document and the use and communication of its content are prohibited unless explicitly permitted. Noncompliance will result in damage compensation obligations. All rights reserved in the event of patent, utility model or design model registration. Subject to changes.

Zabrania się przekazywania lub powielania niniejszego dokumentu, wykorzystywania lub informowania o jego treści bez wyraźnego zezwolenia. Niestosowanie się do powyższego postanowienia zobowiązuje do odszkodowania. Wszystkie prawa z rejestracji patentu, wzoru użytkowego lub zdobniczego zastrzeżone. Zmiany zastrzeżone.

Tilos ezen dokumentum továbbadása, sokszorosítása, valamint tartalmának felhasználása és közlése. A tilalmat megszegők kártérítésre kötelezettek. Az összes szabadalmi-, használati minta- és ipari jog fenntartva. Változások jogát fenntartjuk!

Šíření a rozmnožování tohoto dokumentu, zužitkování a sdělování jeho obsahu je zakázáno, pokud není výslovně povoleno. Jednání v rozporu s tímto ustanovením zavazuje k náhradě škody. Všechna práva pro případ zápisu patentu, užitého vzoru nebo průmyslového vzoru vyhrazena. Změny vyhrazeny.

Без наличия специального разрешения запрещено любое распространение или воспроизведение данного документа, а также использование и размещение где-либо его содержания. Несоблюдение данного положения влечет за собой санкции в виде возмещения ущерба. Все объекты патентного права (торговые марки, промышленные образцы и т.д.) защищены. Право на внесение изменений сохраняется.

Posredovanje kakor tudi razmnoževanje tega dokumenta, izkoriščanje in posredovanje njegove vsebine je prepovedano, v kolikor ni izrecno dovoljeno. Kršitve zavezujejo k poravnavi škode. Pridržane so vse pravice za primer registracije patentnih in uporabnih vzorcev. Pridržana je pravica do sprememb.

Postúpenie, ako aj rozmnožovanie tohto dokumentu, zhodnotenie a sprostredkovanie jeho obsahu je zakázané, pokiaľ to nie je výslovne povolené. Konanie v rozpore s týmto nariadením zaväzuje k náhrade škody. Všetky práva pre prípad registrácie patentu, užitkového vzoru alebo vzorky vyhradené. Zmeny vyhradené.



HÖRMANN KG Verkaufsgesellschaft  
Upheider Weg 94-98  
D-33803 Steinhagen  
[www.hoermann.com](http://www.hoermann.com)